

WOOFER GDN 13/40/2

9 5151 154

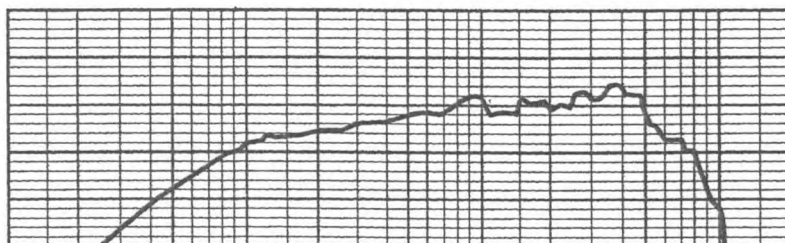
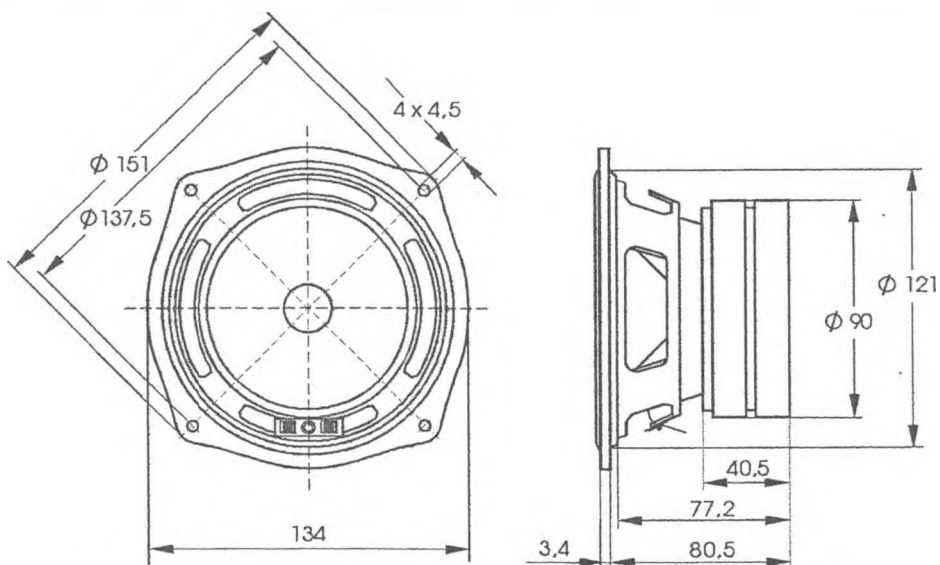
TECHNICAL DATA

Rated impedance	7	Ω
Voice coil resistance	5,7	Ω
Rated frequency range	90 to 5000	Hz
Resonance frequency	53	Hz
Power handling capacity / enclosure 5 dm ³ , 100 h continuous /	40	W
Max power	80	W
Sensitivity	89	dB
Flux density	1,12	T
Energy in air gap	276	mJ
Force factor - Bl	7,2	Tm
Piston area - S _D	85 x 10 ⁻⁴	m ²
Total moving mass - M _{MS}	8,8 x 10 ⁻³	kg
Compliance /loudspeaker unmounted/ - C _{MS}	1,06 x 10 ⁻³	m/N
Equivalent box volume - V _{AS}	10,7 x 10 ⁻³	m ³
Quality factor /loudspeaker unmounted/		
- mechanical - Q _{MS}	4,46	
- electrical - Q _{ES}	0,345	
- total - Q _{TS}	0,32	
Air - gap	25/6/1,125	mm
Voice coil height	11	mm
Magnet		
- material	ferrite	
- dimensions	90/45/13	mm
- mass	0,35	kg
Mass of loudspeaker	1,4	kg

The loudspeaker has a black polypropylene cone and a rubber surround.
Connection is by 4,8 mm x 0,5 mm tag connectors or by soldering.

AVAILABLE VERSIONS

- GDN 13/40/2 - 7Ω, catalogue number 9 5151 154 28 - black cone, plastic dust cap.



FREQUENCY RESPONSE CURVE
Measured in anechoic room at 1W/ 1m, Loudspeaker mounted
in sealed 5 dm³ enclosure.