

WOOFER GDN 13/50/4

9 5151 204

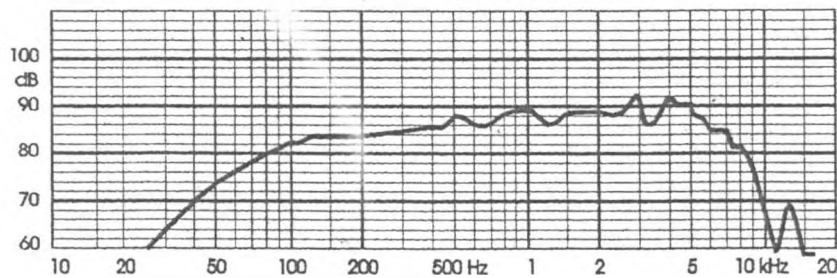
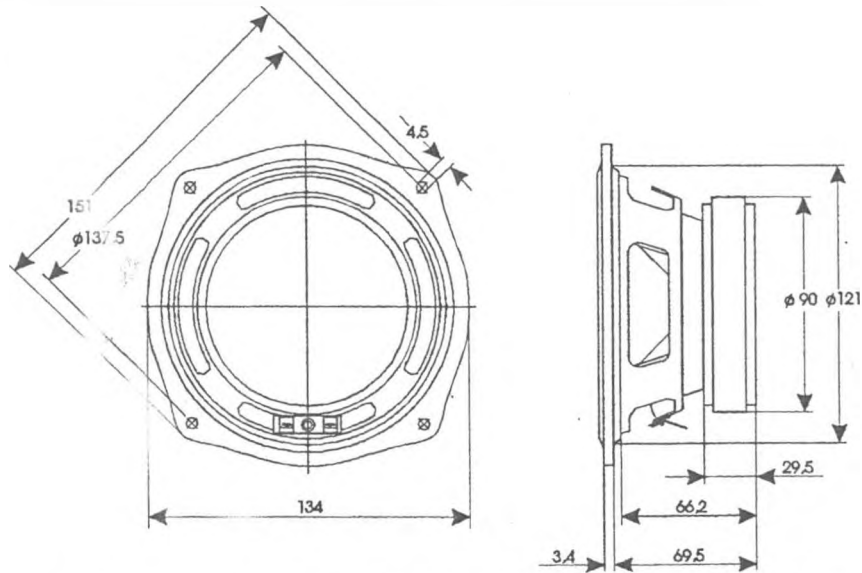
TECHNICAL DATA

| | | |
|---|------------------------|----------------|
| Rated Impedance | 8 | Ω |
| Voice coil resistance | 6,6 | Ω |
| Rated frequency range | 90 to 5000 | Hz |
| Resonance frequency | 53 | Hz |
| Power handling capacity / enclosure 5 dm ³ , 100 h continuous / | 50 | W |
| Max. power | 100 | W |
| Sensitivity | 88 | dB |
| Flux density | 0,91 | T |
| Energy in air gap | 243 | mJ |
| Force factor - Bl | 6,82 | Tm |
| Piston area - S _D | 85 x 10 ⁻⁴ | m ² |
| Total moving mass - M _{MS} | 9,3 x 10 ⁻³ | kg |
| Compliance /loudspeaker unmounted/ - C _{MS} | 9,9 x 10 ⁻⁴ | m/N |
| Equivalent box volume - V _{AS} | 10 x 10 ⁻³ | m ³ |
| Quality factor /loudspeaker unmounted/ | | |
| - mechanical - Q _{MS} | 4,58 | |
| - electrical - Q _{ES} | 0,44 | |
| - total - Q _{TS} | 0,4 | |
| Air - gap | 25/8/1,125 | mm |
| Voice coil height | 12,2 | mm |
| Magnet | | |
| - material | ferrite | |
| - dimensions | 90/45/15,5 | mm |
| - mass | 0,35 | kg |
| Mass of loudspeaker | 1,2 | kg |

The loudspeaker has polypropylene cone, rubber surround and Kapton voice coil former.

AVAILABLE VERSIONS

- GDN 13/50/4 - 8Ω, catalogue number 9 5151 204 01 - black cone, plastic dust cap



FREQUENCY RESPONSE CURVE

Measured in anechoic room at 1W/1m. Loudspeaker mounted in sealed 5 dm³ enclosure.