

# WOOFER GDN 15/40

9 5151 277

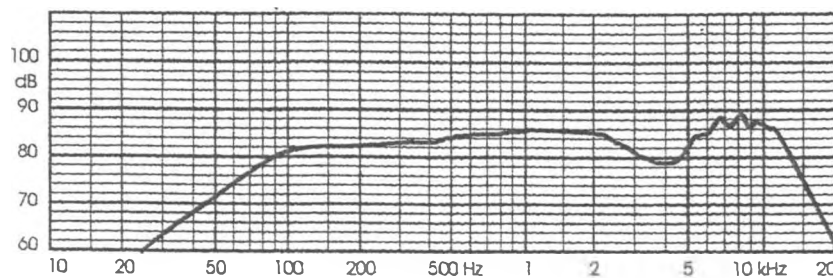
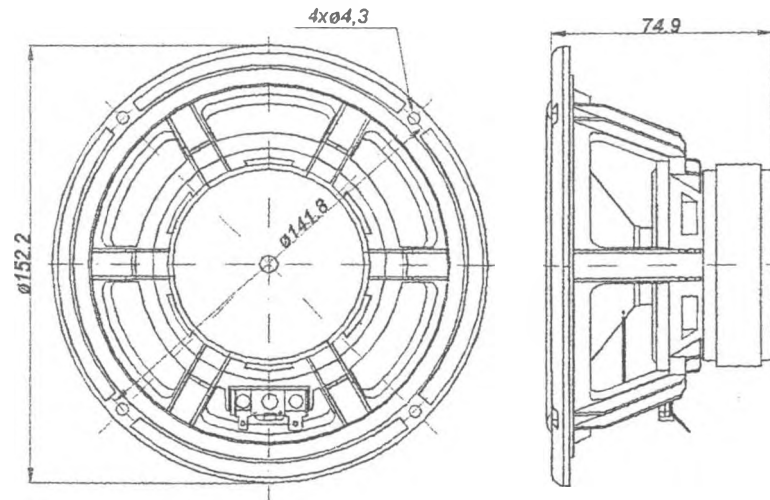
## TECHNICAL DATA

Rated impedance	4,0	$\Omega$
Voice coil resistance	3,5	$\Omega$
Rated frequency range	100 to 10000	Hz
Resonance frequency	50	Hz
Power handling capacity / enclosure 9 dm <sup>3</sup> , 100 h continuous /	40	W
Max power	60	W
Sensitivity	84	dB
Flux density	0,75	T
Energy in air gap	101,5	mJ
Force factor - BI	4,4	Tm
Piston area - S <sub>D</sub>	91,6x10 <sup>-4</sup>	m <sup>2</sup>
Total moving mass - M <sub>MS</sub>	0,0112	kg
Compliance /loudspeaker unmounted/ - C <sub>MS</sub>	60 x 10 <sup>-4</sup>	m/N
Equivalent box volume - V <sub>AS</sub>	0,0072	m <sup>3</sup>
Quality factor /loudspeaker unmounted/		
- mechanical - Q <sub>MS</sub>	2,8	
- electrical - Q <sub>ES</sub>	0,82	
- total - Q <sub>TS</sub>	0,65	
Air - gap	25/4,6/1,2	mm
Voice coil height	9,5	mm
Magnet		
- material	ferrite	
- dimensions	70/32/15	mm
- mass	0,228	kg
Mass of loudspeaker	0,58	kg

The loudspeaker has a glass fibre cone, a rubber surround and aluminium voice coil former

## AVAILABLE VERSIONS

- GDN 15/40 - 4 $\Omega$ , catalogue number 9 5151 277 01



FREQUENCY RESPONSE CURVE  
Measured in anechoic room at 1W/ 1m, Loudspeaker mounted  
in sealed 9 dm<sup>3</sup> enclosure.