

WOOFER GDN 16/30/1

9 5151 075

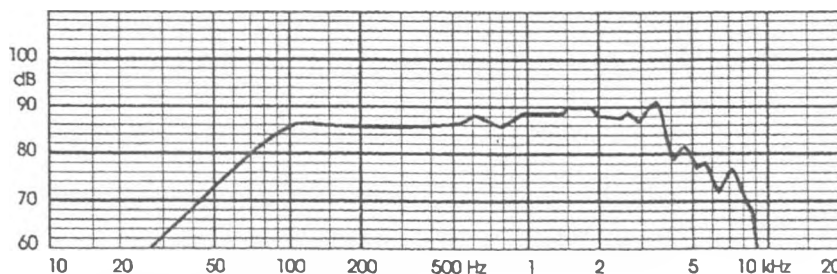
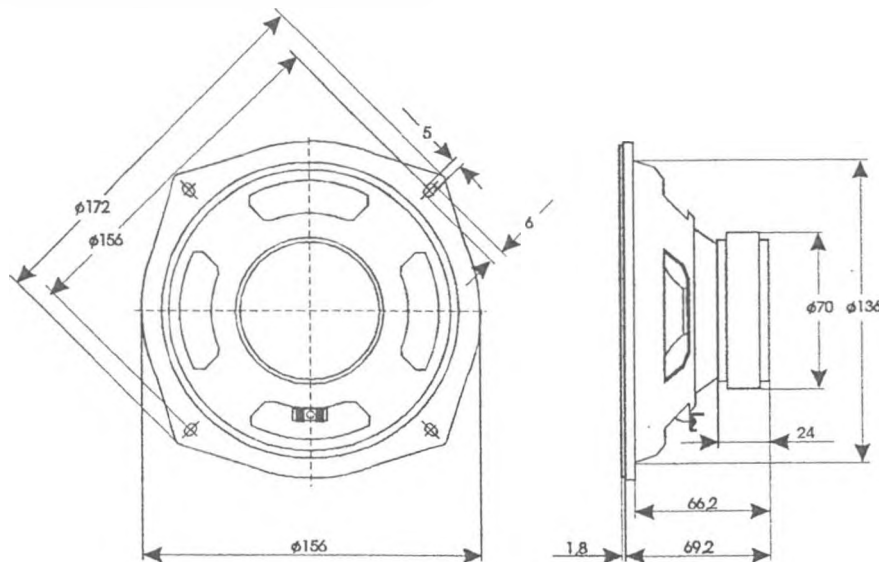
TECHNICAL DATA

Rated impedance	8	Ω
Voice coil resistance	6,4	Ω
Rated frequency range	100 to 4000	Hz
Resonance frequency	65	Hz
Power handling capacity / enclosure 9 dm ³ , 100 h, continuous /	30	W
Max. power	60	W
Sensitivity	87	dB
Flux density	0,67	T
Energy in air gap	102,4	mJ
Force factor - Bl	6,15	Tm
Piston area - S _D	0,013	m ²
Total moving mass - M _{MS}	0,01	kg
Compliance /loudspeaker unmounted/ - C _{MS}	56,2 X 10 ⁻⁵	m/N
Equivalent box volume - V _{AS}	0,013	m ³
Quality factor /loudspeaker unmounted/		
- mechanical - Q _{MS}	3,04	
- electrical - Q _{ES}	0,85	
- total - Q _{TS}	0,67	
Air - gap	25/4,6/1,5	mm
Voice coil height	6,5	mm
Magnet		
- material	ferrite	
- dimensions	70/32/15	mm
- mass	0,23	kg
Mass of loudspeaker	0,66	kg

Connection is by 5,4mm x 0,8mm tag connectors or by soldering.

AVAILABLE VERSIONS

- GDN 16/30/1 - 8 Ω , catalogue number 9 5151 075 01



FREQUENCY RESPONSE CURVE

Measured in anechoic room at 1W/1m. Loudspeaker mounted in sealed 9 dm³ enclosure.