

WOOFER GDN 16/40/2

9 5151 193

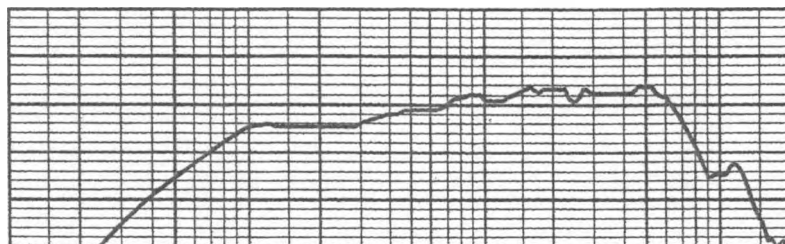
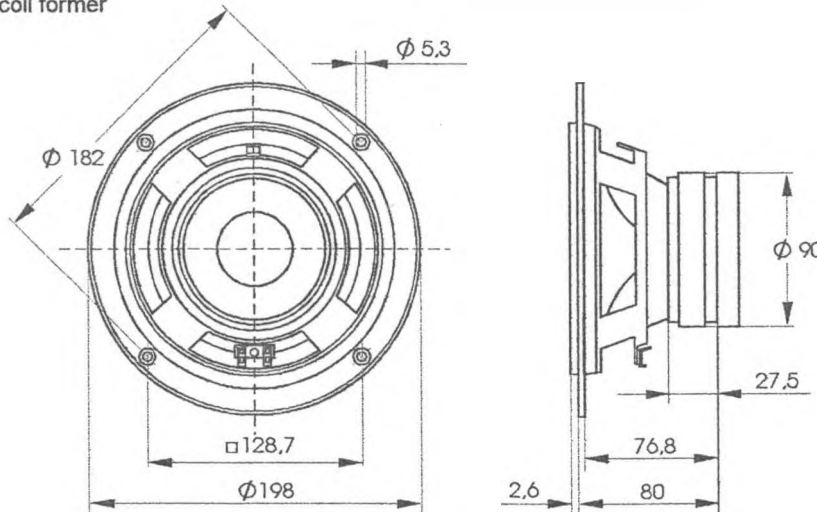
TECHNICAL DATA

Rated impedance	4	7	Ω
Voice coil resistance	3,45	5,7	Ω
Rated frequency range	80 to 5000		Hz
Resonance frequency	48		Hz
Power handling capacity / enclosure 9 dm ³ , 100 h continuous /	40		W
Max power	80		W
Sensitivity	90		dB
Flux density	0,96		T
Energy in air gap	203		mJ
Force factor - Bl	5,2	5,9	Tm
Piston area - S _D	0,014		m ²
Total moving mass - M _{MS}	0,0129		kg
Compliance /loudspeaker unmounted/ - C _{MS}	0,83 x 10 ⁻³		m/N
Equivalent box volume - V _{AS}	0,023		m ³
Quality factor /loudspeaker unmounted/			
- mechanical - Q _{MS}	4,4	4,6	
- electrical - Q _{ES}	0,615	0,62	
- total - Q _{TS}	0,54	0,545	
Air - gap			mm
Voice coil height	9	11	mm
Magnet			
- material	ferrite		
- dimensions	90/45/15,5		mm
- mass	0,35		kg
Mass of loudspeaker	1,2		kg

The loudspeaker has a polypropylene cone and rubber surround

AVAILABLE VERSIONS

- GDN 16/40/2 - 4 Ω , catalogue number 9 5151 193 01 - black cone, plastic dust cap, Kapton voice coil former
- GDN 16/40/2 - 8 Ω , catalogue number 9 5151 193 02 - black cone, plastic dust cap, Kapton voice coil former, additional magnet 90/45/13
- GDN 16/40/2 - 7 Ω , catalogue number 9 5151 193 04 - black cone, plastic dust cap, Kapton voice coil former



FREQUENCY RESPONSE CURVE

Measured in anechoic room at 1W, 1m, Loudspeaker mounted in sealed 9 dm³ enclosure.