

WOOFER GDN 20/60/5

9 5151 083

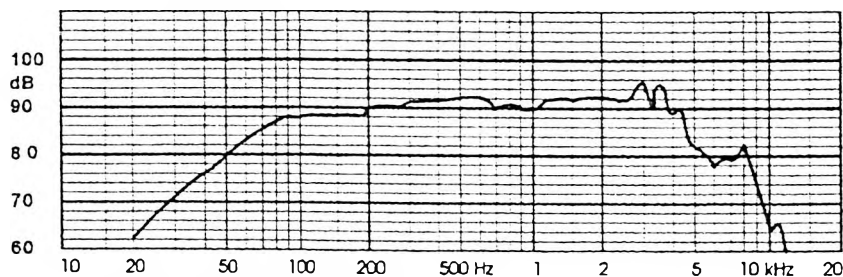
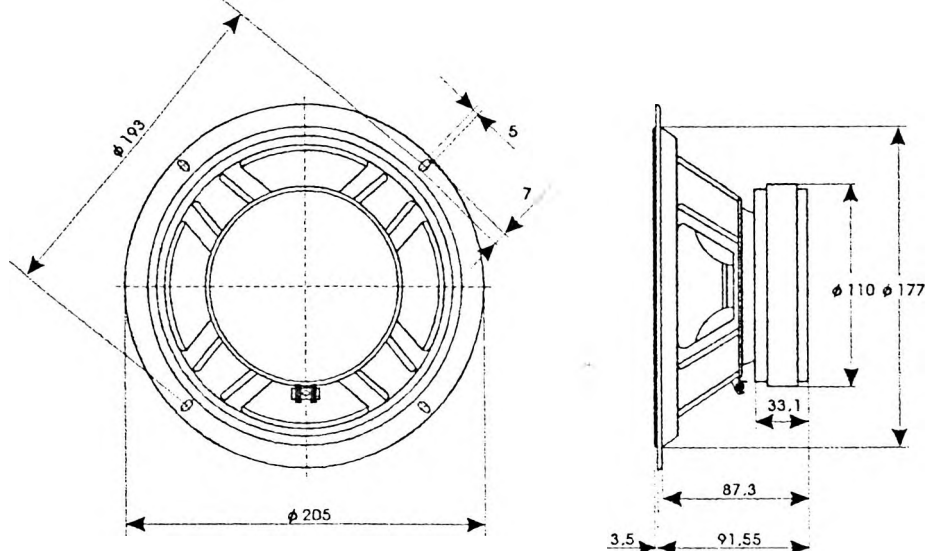
TECHNICAL DATA

Rated impedance	4	Ω
Voice coil resistance	3,3	Ω
Rated frequency range	60 to 3500	Hz
Resonance frequency	50	Hz
Power handling capacity / enclosure 24 dm ³ , 100 h continuous /	50	W
Max. power	100	W
Sensitivity	90	dB
Flux density	0,85	T
Energy in air gap	241,6	mJ
Force factor - Bl	6	Tm
Piston area - S _D	0,021	m ²
Total moving mass - M _{MS}	0,017	kg
Compliance /loudspeaker unmounted/ - C _{MS}	58,6x10 ⁻⁵	m/N
Equivalent box volume - V _{AS}	0,041	m ³
Quality factor /loudspeaker unmounted/		
- mechanical - Q _{MS}	2,61	
- electrical - Q _{ES}	0,52	
- total - Q _{TS}	0,43	
Air - gap	25/7,8/1,275	mm
Voice coil height	11,8	mm
Magnet		
- material	ferrite	
- dimensions	110/60/18	mm
- mass	0,6	kg
Mass of loudspeaker	1,55	kg

Connection is by 5,4 mm x 0,8 mm tag connectors or by soldering.
Diaphragm covered with damping - sealing material.

AVAILABLE VERSIONS

- GDN 20/60/5 - 4 Ω , catalogue number 9 5151 083 01



FREQUENCY RESPONSE CURVE

Measured in anechoic room at 1W/1m. Loudspeaker mounted in sealed 24 dm³ enclosure.