

# WOOFER GDN 20/80

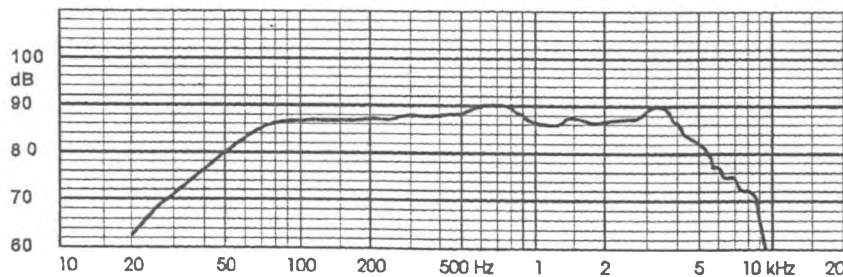
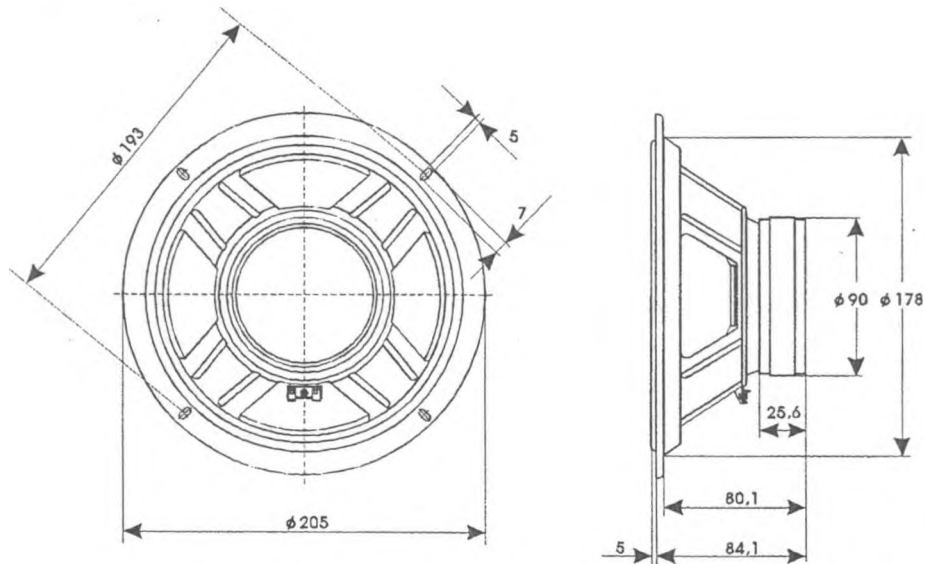
9 5151 162

## TECHNICAL DATA

Rated impedance	4	$\Omega$
Voice coil resistance	3,3	$\Omega$
Rated frequency range	44 to 4500	Hz
Resonance frequency	44	Hz
Power handling capacity / enclosure 24 dm <sup>3</sup> , 100 h continuous /	80	W
Max. power	125	W
Sensitivity	87	dB
Flux density	0,93	T
Energy in air gap	300	mJ
Force factor - Bl	7,9	Tm
Piston area - S <sub>p</sub>	0,022	m <sup>2</sup>
Total moving mass - M <sub>MS</sub>	0,023	kg
Compliance /loudspeaker unmounted/ - C <sub>MS</sub>	0,6x10 <sup>-3</sup>	m/N
Equivalent box volume - V <sub>AS</sub>	0,036	m <sup>3</sup>
Quality factor /loudspeaker unmounted/		
- mechanical - Q <sub>MS</sub>	2,9	
- electrical - Q <sub>ES</sub>	0,45	
- total - Q <sub>TS</sub>	0,4	
Air - gap	35/4,6/1,62	mm
Voice coil height	7,5	mm
Magnet		
- material	ferrite	
- dimensions	90/45/15,5	mm
- mass	0,35	kg
Mass of loudspeaker	1,2	kg

## AVAILABLE VERSIONS

- GDN 20/80 - 4  $\Omega$ , catalogue number 9 5151 162 09 - black cone



FREQUENCY RESPONSE CURVE  
Measured in anechoic room at 1W/1m. Loudspeaker mounted  
in sealed 24 dm<sup>3</sup> enclosure.