

WOOFER GDN 25/60/5

9 5151 080

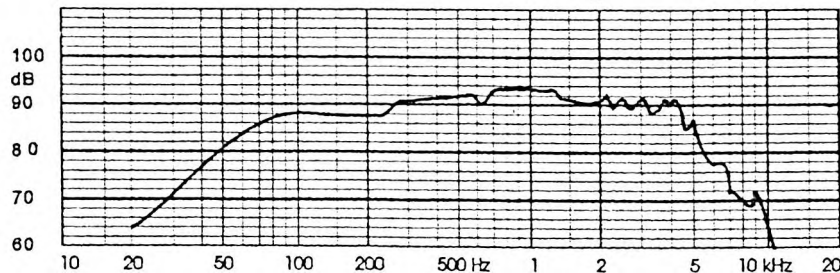
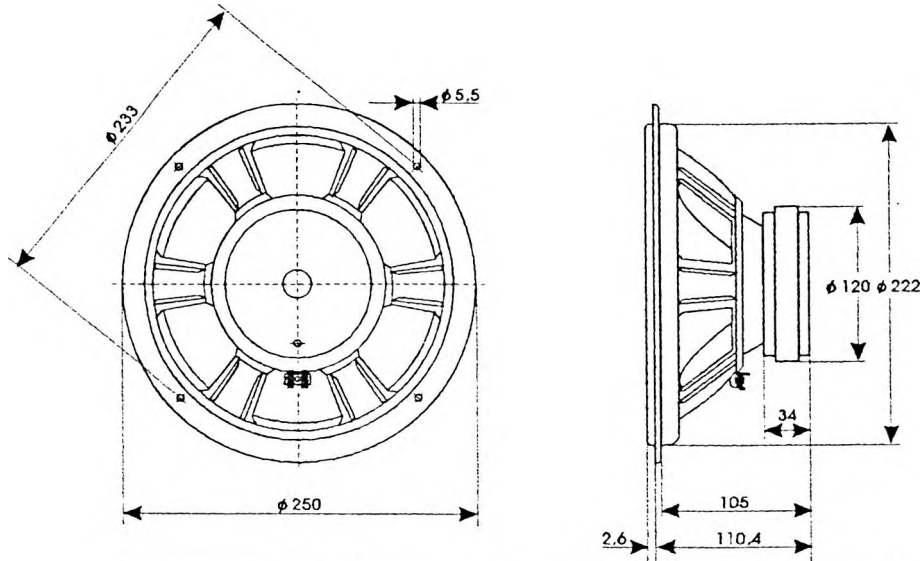
TECHNICAL DATA

Rated impedance	4	Ω
Voice coil resistance	3,3	Ω
Rated frequency range	70 to 5000	Hz
Resonance frequency	50	Hz
Power handling capacity / enclosure 35 dm ³ , 100 h continuous /	60	W
Max. power	120	W
Sensitivity	90	dB
Flux density	0,81	T
Energy in air gap	486,7	mJ
Force factor - Bl	7,6	Tm
Piston area - S _D	0,033	m ²
Total moving mass - M _{MS}	0,03	kg
Compliance /loudspeaker unmounted/ - C _{MS}	33x10 ⁻⁵	m/N
Equivalent box volume - V _{AS}	0,051	m ³
Quality factor /loudspeaker unmounted/		
- mechanical - Q _{MS}	2,74	
- electrical - Q _{ES}	0,53	
- total - Q _{TS}	0,44	
Air - gap	48/8/1,5	mm
Voice coil height	14,2	mm
Magnet		
- material	ferrite	
- dimensions	120/60/18	mm
- mass	0,76	kg
Mass of loudspeaker	2,6	kg

Connection is by 5,4 mm x 0,8 mm tag connectors or by soldering.
Diaphragm covered with damping - sealing material.

AVAILABLE VERSIONS

- GDN 25/60/5 - 4 Ω , catalogue number 9 5151 080 01



FREQUENCY RESPONSE CURVE
Measured in anechoic room at 1W/1m. Loudspeaker mounted
in sealed 35 dm³ enclosure.