

WOOFER GDN 30/100/2

9 5151 070

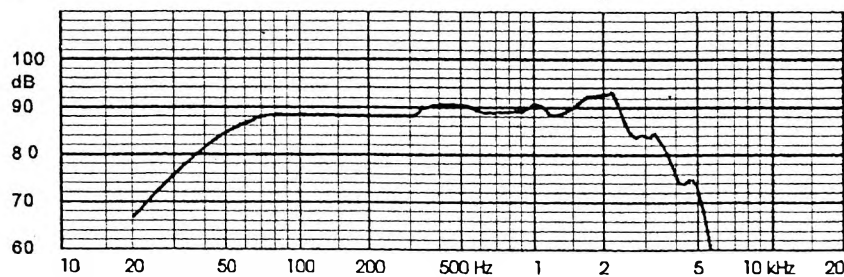
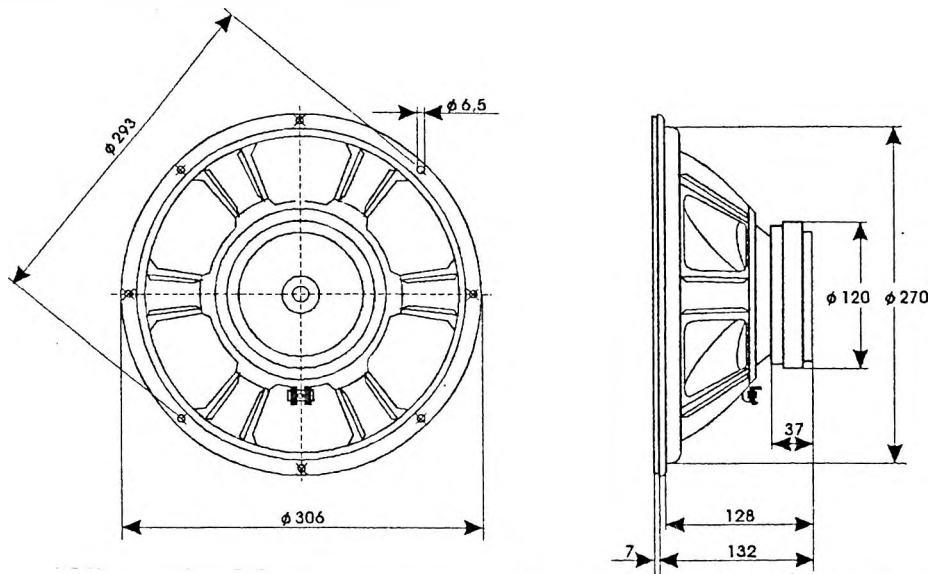
TECHNICAL DATA

Rated impedance	8	Ω
Voice coil resistance	6,4	Ω
Rated frequency range	60 to 2000	Hz
Resonance frequency	24	Hz
Power handling capacity / enclosure 70 dm ³ , 100 h continuous /	100	W
Max. power	200	W
Sensitivity	89	dB
Flux density	0,78	T
Energy in air gap	537	mJ
Force factor - Bl	10,64	Tm
Piston area - S _D	0,049	m ²
Total moving mass - M _{MS}	0,055	kg
Compliance /loudspeaker unmounted/ - C _{MS}	80x10 ⁻⁵	m/N
Equivalent box volume - V _{AS}	0,257	m ³
Quality factor /loudspeaker unmounted/		
- mechanical - Q _{MS}	2,20	
- electrical - Q _{ES}	0,51	
- total - Q _{TS}	0,39	
Air - gap	48/8/1,775	mm
Voice coil height	19,2	mm
Magnet		
- material	ferrite	
- dimensions	120/60/18	mm
- mass	0,76	kg
Mass of loudspeaker	3	kg

Connection is by 6,35 mm x 0,5 mm tag connectors or by soldering.
Diaphragm covered with damping - sealing material.

AVAILABLE VERSIONS

- GDN 30/100/2 - 8 Ω , catalogue number 9 5151 070 01



FREQUENCY RESPONSE CURVE
Measured in anechoic room at 1W/1m. Loudspeaker mounted
in sealed 70 dm³ enclosure.