

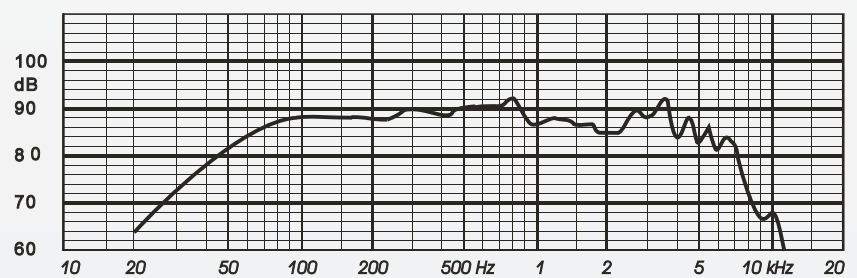
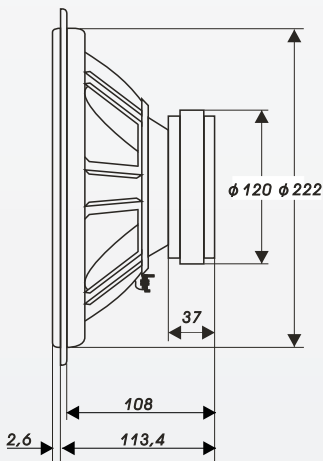
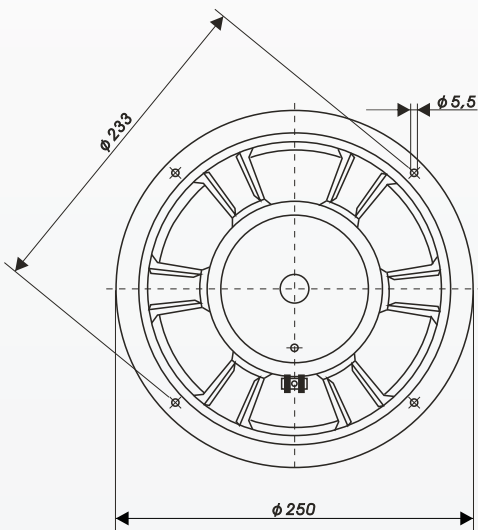
WOOFER GDN 25/80/1

TECHNICAL DATA

Rated impedance	4	Ω
Voice coil resistance	3,4	Ω
Rated frequency range	60 to 3000	Hz
Resonance frequency	37	Hz
Power handling capacity / enclosure 35 dm ³ , 100 h continuous /	80	W
Max. power	130	W
Sensitivity	88	dB
Flux density	0,74	T
Energy in air gap	497	mJ
Force factor - $B\ell$	8,9	Tm
Piston area - S_D	0,033	m ²
Total moving mass - M_{MS}	0,041	kg
Compliance /loudspeaker unmounted/ - C_{MS}	$71,3 \times 10^{-6}$	m/N
Equivalent box volume - V_{AS}	0,131	m ³
Quality factor /loudspeaker unmounted/		
- mechanical - Q_{MS}	1,55	
- electrical - Q_{ES}	0,32	
- total - Q_{TS}	0,27	
Air - gap	48/11,2/1,85	mm
Voice coil height	17,5	mm
Magnet		
- material	ferrite	
- dimensions	120/60/18	mm
- mass	0,76	kg
Mass of loudspeaker	2,8	kg

AVAILABLE VERSIONS

- GDN 25/80/1 - 4 Ω , catalogue number 9 5151 119 12



FREQUENCY RESPONSE CURVE

Measured in anechoic room at 1W/1m. Loudspeaker mounted in sealed 35 dm³ enclosure.