

# FULL RANGE LOUDSPEAKER GDS 13/40

9 5157 078

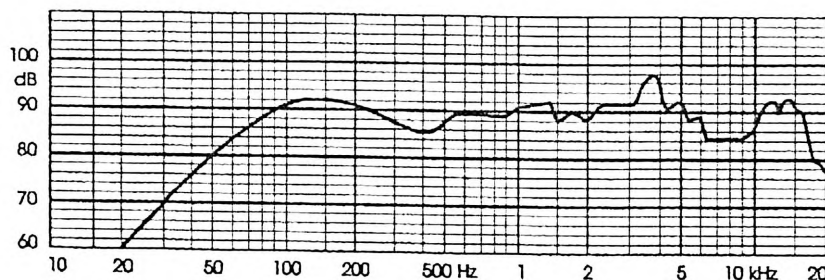
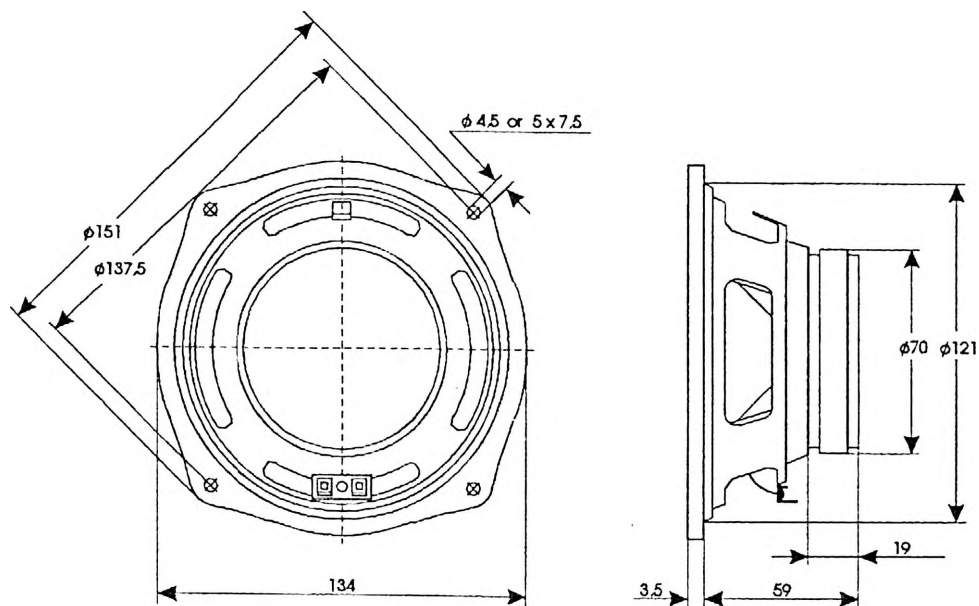
## TECHNICAL DATA

Rated impedance	4 $\Omega$
Voice coil resistance	3,5 $\Omega$
Rated frequency range	50 to 20000 Hz
Resonance frequency	70 Hz
Power handling capacity, /loudspeaker unmouted, 100h continuous/	40 W
Max. power	80 W
Sensitivity	89 dB
Flux density	0,76 T
Energy in air gap	87,4 mJ
Air - gap	25/4,6/1,125 mm
Voice coil height	6,8 mm
Magnet	ferrite
- material	70/32/10 mm
- dimensions	0,151 kg
- mass	0,53 kg
Mass of loudspeaker	

The loudspeaker has a double cone  
Connection is by 2,8mm x 0,8mm and 4,8mm x 0,8mm tag connectors or by soldering.

## AVAILABLE VERSIONS

- GDS 13/40 - 4 $\Omega$ , catalogue number 9 5157 078 02



FREQUENCY RESPONSE CURVE  
Measured in anechoic room at 1W/1m. Loudspeaker mounted  
on IEC baffle