

FULL RANGE LOUDSPEAKER GDS 16/20/2

9 5157 116

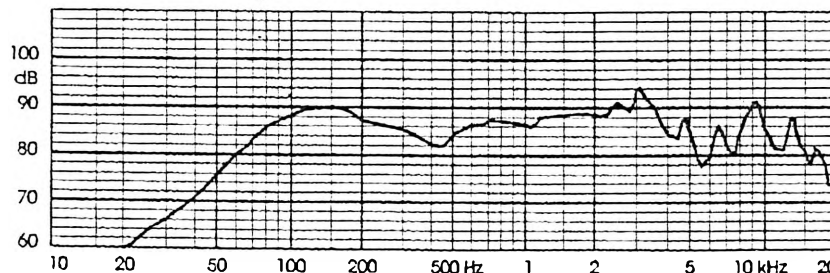
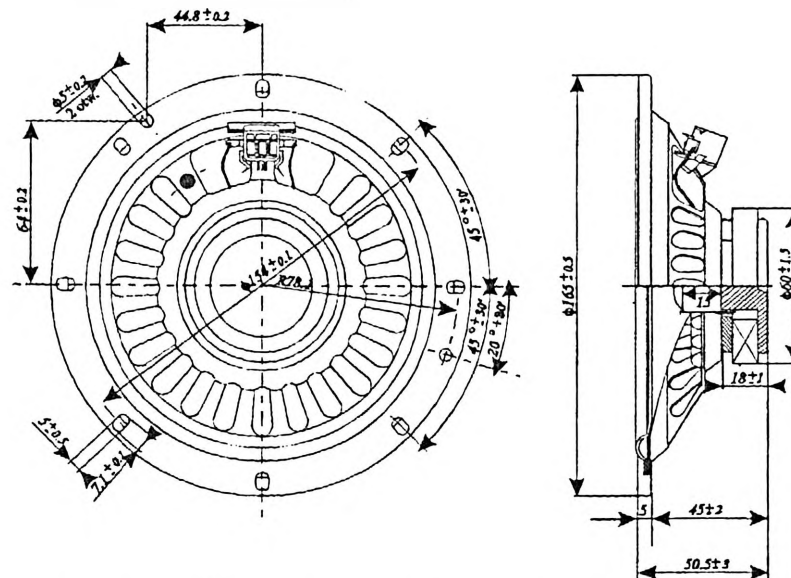
TECHNICAL DATA

Rated impedance	4	Ω
Voice coil resistance	3,8	Ω
Rated frequency range	60 to 10000	Hz
Resonance frequency	80	Hz
Power handling capacity	20	W
Max. power	40	W
Sensitivity	84	dB
Flux density	0.79	T
Energy in air gap	61	mJ
Force factor - Bl	2.39	Tm
Piston area - S _D	132 x 10 ⁻⁴	m ²
Total moving mass - M _{MS}	0,007	kg
Compliance /loudspeaker unmounted/ - C _{MS}	40,1 X 10 ⁻⁵	m/N
Equivalent box volume - V _{AS}	0,01	m ³
Quality factor /loudspeaker unmounted/		
- mechanical - Q _{MS}	4.41	
- electrical - Q _{ES}	2.87	
- total - Q _{TS}	1.74	
Air - gap	21/4/1	mm
Voice coil height	5.5	mm
Magnet		
- material	ferrite	
- dimensions	60/26/10	mm
- mass	0.1	kg
Mass of loudspeaker	0.4	kg

The loudspeaker has a dual cone system, a foam surround and an aluminium voice coil former.

AVAILABLE VERSIONS

- GDS 16/20/2 - 4Ω, catalogue number 9 5157 116 01



FREQUENCY RESPONSE CURVE

Measured in anechoic room at 1W/1m. Loudspeaker mounted on a DIN 45575 baffle.