

DOME TWEETER LOUDSPEAKER GDWK 3,5/20

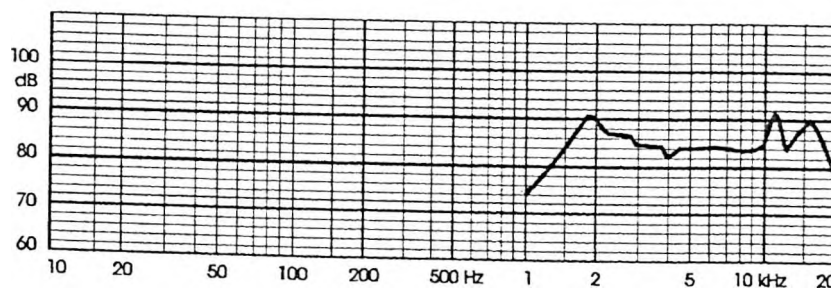
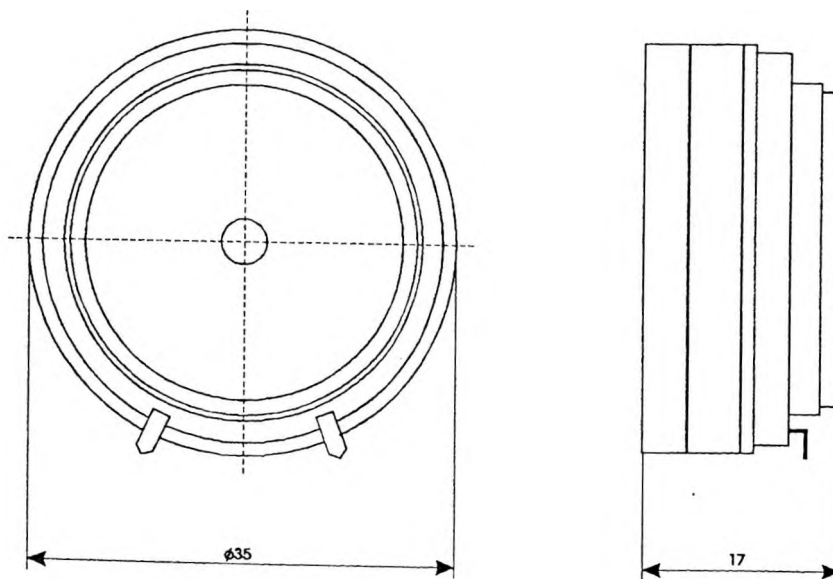
9 5155 123

TECHNICAL DATA

Rated Impedance	5,5 Ω
Voice coil resistance	4,8 Ω
Rated frequency range	4 to 20 kHz
Resonance frequency	- kHz
Recommended crossover frequency	5 kHz
Power handling capacity, P1/P2 measured with filter	20/0,5 W
Max. power	40/1 W
Sensitivity	84 dB
Flux density	0,68 T
Energy in air gap	- mJ
Air - gap	10/1,6/0,7 mm
Voice coil height	3 mm
Magnet	
- material	ferrite
- dimensions	27/12,6/5 mm
- mass	0,0084 kg
Mass of loudspeaker	0,03 kg

AVAILABLE VERSIONS

- GDWK 3,5/20 - 4 Ω , catalogue number 9 5155 123 01-02



FREQUENCY RESPONSE CURVE
Measured in anechoic room at 1W/1m. Loudspeaker mounted
on IEC baffle

POLAND - WRZEŚNIA



TEL (061) 4 36 94 14
TLX 0412758
FAX (061) 4 369419