

# DOME TWEETER LOUDSPEAKER GDWK 7/50/12

9 5155 075

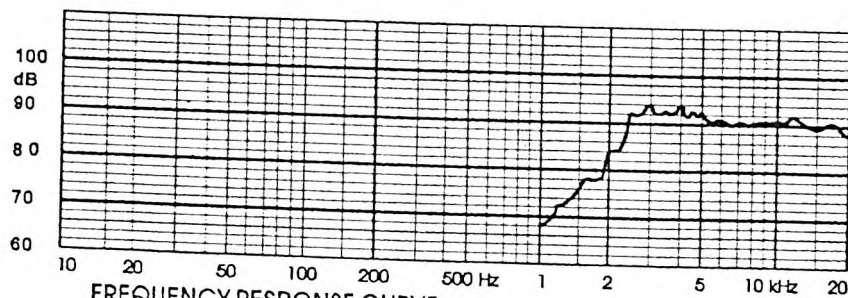
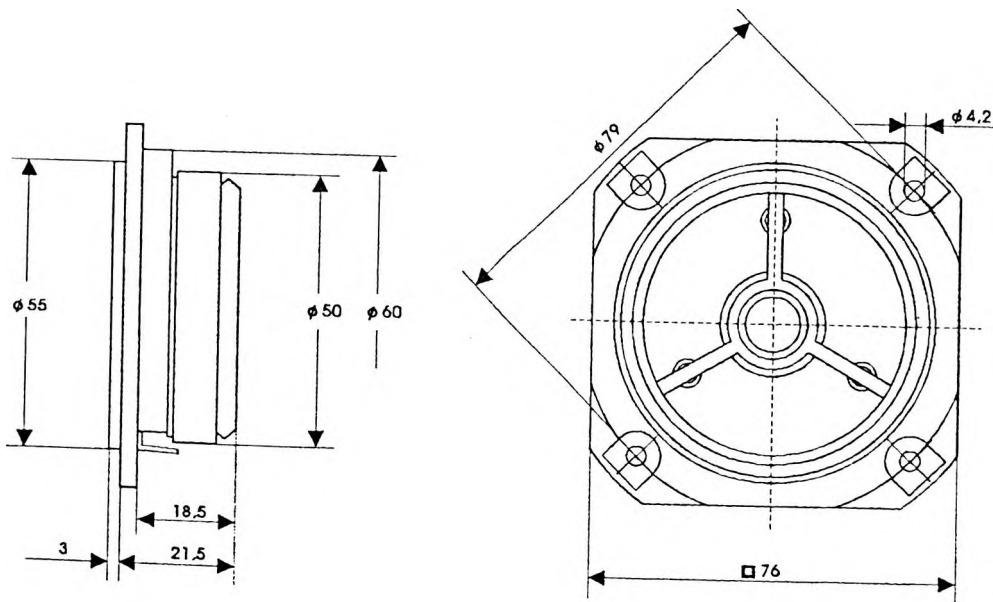
## TECHNICAL DATA

Rated impedance	8	Ω
Voice coil resistance	6,3	Ω
Rated frequency range	4,0 to 20	kHz
Resonance frequency	-	kHz
Recommended crossover frequency	7	kHz
Power handling capacity, P1/P2, measured with filter,	50/0,4	W
Max. power	100/0,8	W
Sensitivity	89	dB
Flux density	1	T
Energy in air gap	32	mJ
Air - gap	18/2/0,7	mm
Voice coil height	1,3	mm
Magnet		
- material	ferite	
- dimensions	50/22/8	mm
- mass	0,063	kg
Mass of loudspeaker	0,25	kg

Membrane material - polyamide.

## AVAILABLE VERSIONS

- GDWK 7/50/12 - 8Ω, catalogue number 9 5155 075 01



FREQUENCY RESPONSE CURVE

Measured in anechoic room at 1W/1m. Loudspeaker mounted on IEC baffle.

POLAND - WRZEŚNIA



TONSIL®

TEL (061) 4 36 94 14

TLX 0412758

FAX (061) 4 369419