

DOME TWEETER LOUDSPEAKER GDWK 9/80/14

9 5155 087

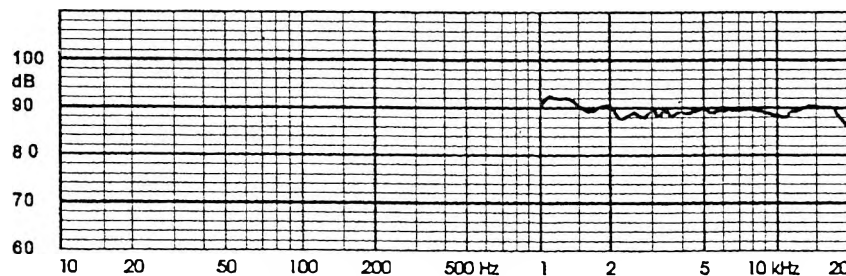
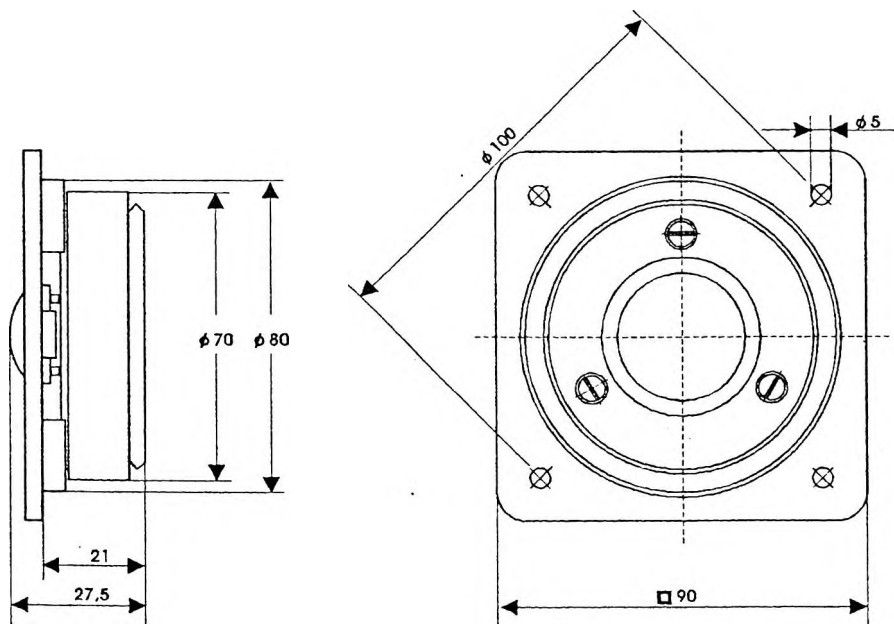
TECHNICAL DATA

Rated impedance	8	Ω
Voice coil resistance	6,3	Ω
Rated frequency range	4,0 to 20	kHz
Resonance frequency	1,1	kHz
Recommended crossover frequency	4,8	kHz
Power handling capacity, P1/P2, measured with filter,	80/2,5	W
Max. power	160/5	W
Sensitivity	89	dB
Flux density	1,16	T
Energy in air gap	95,6	mJ
Air - gap	25/3/0,745	mm
Voice coil height	1,9	mm
Magnet		
- material,	ferrite	
- dimensions	70/32/10	mm
- mass	0,15	kg
Mass of loudspeaker	0,6	kg

Membrane material - polyamide.

AVAILABLE VERSIONS

- GDWK 9/80/14 - 8Ω, catalogue number 9 5155 087 01



FREQUENCY RESPONSE CURVE
Measured in anechoic room at 1W/1m. Loudspeaker mounted
on IEC baffle.