

# DOME TWEETER LOUDSPEAKER GDWK 9/80/3

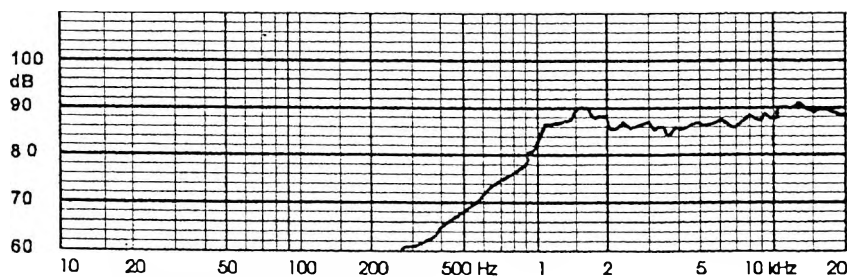
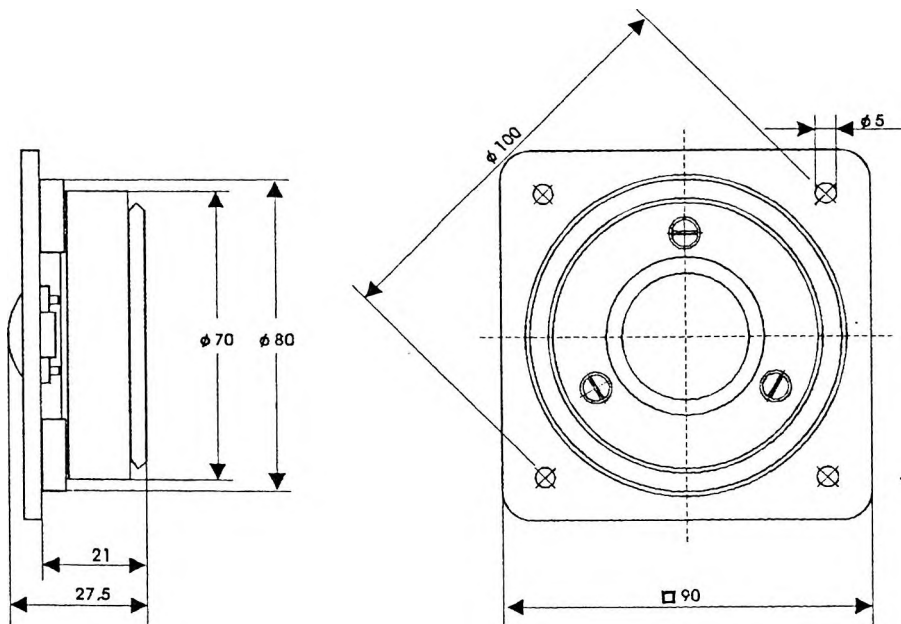
9 5155 006

## TECHNICAL DATA

Rated impedance	8	Ω
Voice coil resistance	6,3	Ω
Rated frequency range	4,0 to 20	kHz
Resonance frequency	1,1	kHz
Recommended crossover frequency	4,8	kHz
Power handling capacity, P1/P2, measured with filter,	80/2,5	W
Max. power	160/5	W
Sensitivity	87	dB
Flux density	0,95	T
Energy in air gap	70,1	mJ
Air - gap	25/3/0,815	mm
Voice coil height	1,9	mm
Magnet		
- material	ferite	
- dimensions	65/32/10	mm
- mass	0,126	kg
Mass of loudspeaker	0,5	kg

## AVAILABLE VERSIONS

- GDWK 9/80/3 - 8Ω, catalogue number 9 5155 006 05



FREQUENCY RESPONSE CURVE  
Measured in anechoic room at 1W/1m. Loudspeaker mounted  
on IEC baffle.