


CUI INC
9615 SW Allen, Suite 103
Beaverton, OR 97005
Phone: (503) 643-4899
800-275-4899
Fax: (503) 372-1266
Website: www.cui.com

Specifications

1	Part No.	GF0666			
2	Nominal Size	66 mm.	2 - 1/2" inch		
3	Impedance	8 Ω \pm 15%	at	800 Hz.	1 V.
4	Resonance	320 Hz. \pm 64 Hz.	F0 Hz.	1 V.	
5	S.P. Level	84 dB/w \pm 3 dB	.3 w.	50 cm.	average at
6	Response	fo Hz. \sim 8K Hz.	MAX 10dB	500, 700, 900, 1K Hz.	
7	Crossover Freq.	Hz.	Hz.	dB/OCT	Net work
8	Input Power	Nominal Input 0.5 w.	Handling Capacity	1 w.	
9	Operation	Must be normal at program source			0.5 w.
10	Buzz, Rattle, etc.	Must be normal at sine wave			2 v.
11	Flux Density	Gauss \pm 10%			
12	Total Flux	Max well min			
13	Magnet	Size 32 x 18 x 6 mm	gr	oz	
14	Total Weight	gr oz			
15	Load Test	After test meet item 9 and 10	White noise	0.5 W.	5 Hours
16	Distortion	% MAX		Hz	W.
17	Heat Test	After test meet item 9 and 10	60 \pm 2 \pm °C	20-50 %R.H.	5 Hours
18	Humidity Test	After test meet item 9 and 10	40 \pm 2 \pm °C	90-95 %R.H.	5 Hours

PART NO.

GF0666

UNITS:

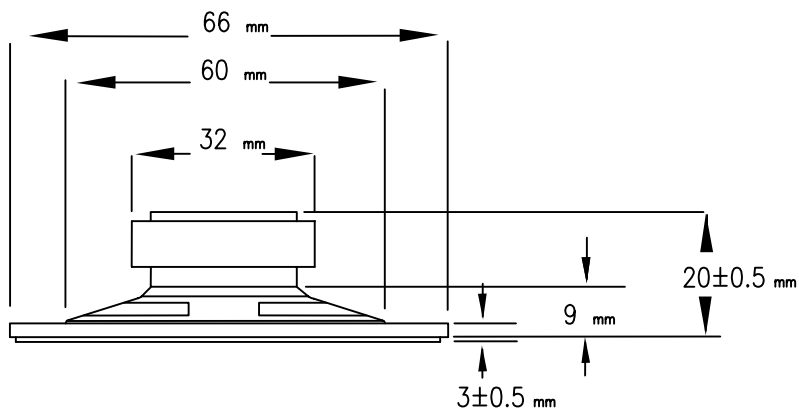
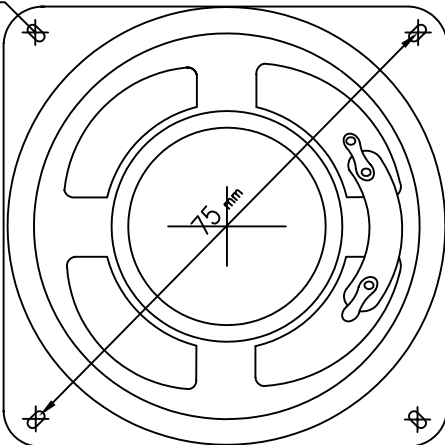
mm

DRAWN BY:

Page No:

1 of 2

4 mm x 8 mm x 4



9615 SW Allen, Suite 103
 Beaverton, OR 97005
 Phone: (503) 643-4899
 800-275-4899
 Fax: (503) 372-1266
 Website: www.cui.com

TITLE:

PART NO.

GF0666

UNITS:

mm

DRAWN BY:

Page No.

2 of 2