

## M10-8

Visaton 100 mm (4") cone midrange driver 8 Ohm (9089)

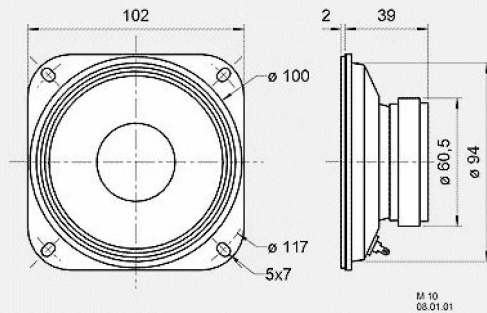


### General description

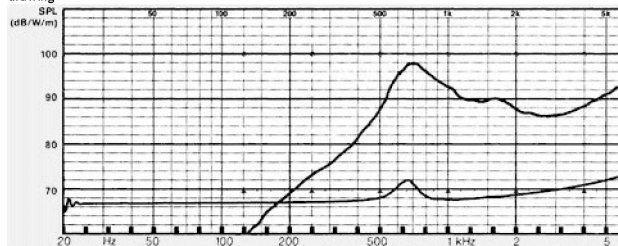
100 mm (4") cone midrange driver for the midrange band between 1000 - 5000 Hz. Due to the enclosed rear no separate midrange housing construction is necessary. Extremely good price/performance ratio in 3-way combinations in conjunction with cone tweeters.

### Technical Data:

Nominal power handling with high pass	80 Watt (12 dB/Okt.; 800 Hz)
Peak power handling with high pass	100 Watt (12 dB/Okt.; 800 Hz)
Nominal impedance	8 Ohm
Frequency response (-10 dB)	450 - 13000 Hz
Mean sound pressure level	90 dB (1W/1m)
Resonance frequency $f_s$	700 Hz
Magnetic induction	0,9 Tesla
Magnetic flux	230 $\mu$ Weber
Voice coil diameter	2 cm
Cutout diameter	95 mm
Net weight	0,33 kg
D.C. resistance $R_{dc}$	6,5 Ohm
Effective piston area $S_d$	54 cm <sup>2</sup>
Dynamically moved mass $M_{ms}$	1,9 g
Inductance of the voice coil L	0,6 mH



drawing



frequency response