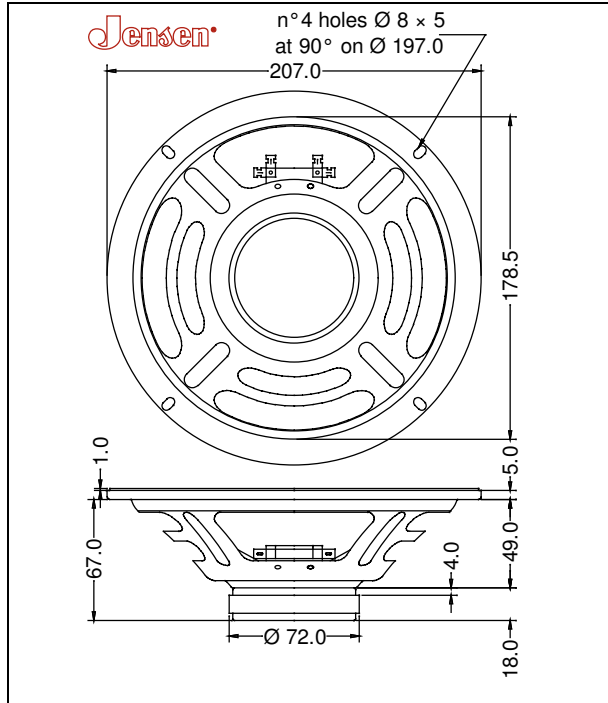


GENERAL CHARACTERISTICS		
Nominal Overall Diameter	207 mm	8 in
Nominal Voice Coil Diameter	25 mm	1 in
Magnet Weight	160 g	5.6 oz
Overall Weight		1.50 lbs
Flux Density		1.00 T

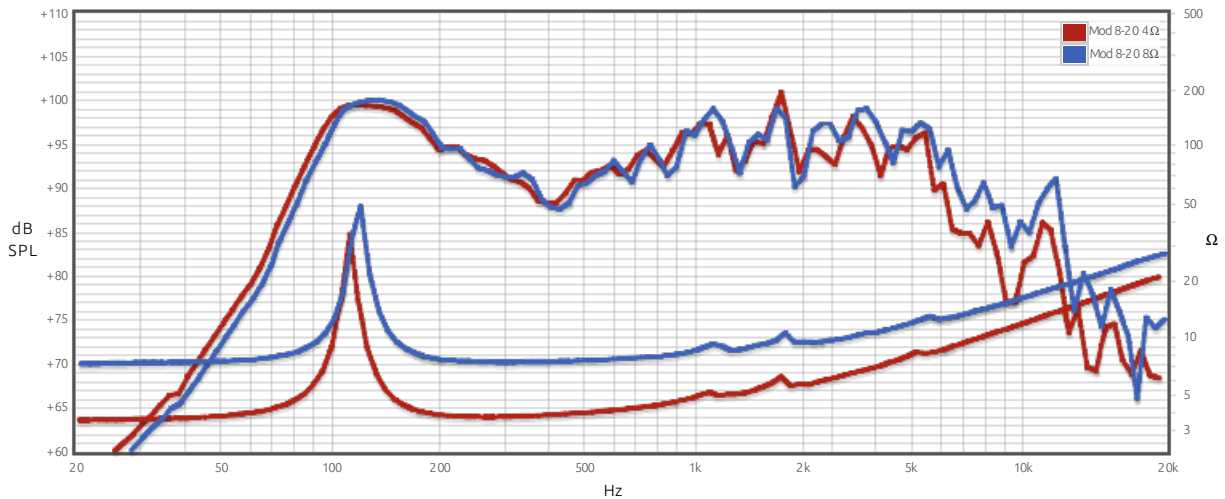
THIELE-SMALL PARAMETERS		4 Ω	8 Ω
Voice Coil DC Resistance	R_E	3.26	6.50 Ω
Resonance Frequency	f_S	111.2	119.4 Hz
Mechanical Q Factor	Q_{MS}	19.23	19.88
Electrical Q Factor	Q_{ES}	1.91	2.52
Total Q Factor	Q_{TS}	1.74	2.24
Mechanical Moving Mass	M_{MS}	10.1	10.3 g
Mechanical Compliance	C_{MS}	204	173 μm/N
Force Factor	B_{xL}	3.47	4.45 Wb/m
Equivalent Acoustic Volume	V_{AS}	13.1	11.1 lt.
Maximum Linear Displacement	X_{MAX}	1.5	1.0 mm
Reference Efficiency	η_D	0.90	0.72 %
Diaphragm Area	S_D	213.8	213.8 cm ²
Losses Electrical Resistance	R_{ES}	32.8Ω	51.1Ω
Voice Coil Inductance @ 1kHz	L_E	0.30	0.40 mH

CONSTRUCTIVE CHARACTERISTICS	
Magnet	Ferrite
Voice Coil Winding	Copper
Voice Coil Former	Epotex
Cone	Paper
Surround	Integrated Paper
Dust Dome	Non-treated Cloth
Basket	Pressed Sheet Steel

ELECTRICAL CHARACTERISTICS		4 Ω	8 Ω
Nominal Impedance		4	8 Ω
Rated Power		20	20 W
Musical Power		40	40 W
Sensitivity@1W,1m		93.2	93.2 dB



Frequency Response on IEC Baffle (DIN 45575) @ 1 W, 1 m - Free Air Impedance



Due to continuing product improvement, the features and the design are subject to change without notice.