

PX13-4

Visaton 2-way coaxial loudspeakers 13 cm (5") (4606)



General description

13 cm (5") 2-way coaxial loudspeaker with standard basket and piezoelectric tweeter. Straightforward installation in vehicles with cutouts for 13 cm speakers.

Typical applications:

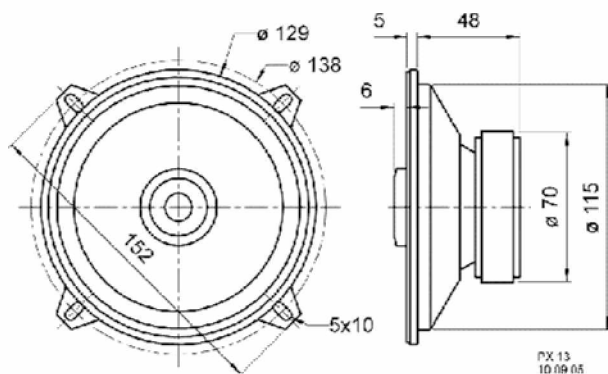
- Vehicles
- Mobile homes

Attributes:

- Polypropylene cone
- Metal basket
- Coaxial speaker

Technical Data:

Rated power 20 W
Maximum power 30 W
Nominal impedance 2.4 Ohm
Frequency response 60–15000 Hz
Mean sound pressure level 84 dB (1 W/1 m)
Maximum cone displacement 4 mm
Resonance frequency f_s 95 Hz
Magnetic induction 1.0 T
Magnetic flux 190 μ Wb
Height of front pole-plate 3 mm
Voice coil diameter 20 mm
Cutout diameter 116 mm
Net weight 0,48 kg
Heat resistance -25 ... 70 °C



drawing

Visitors FX 13 - 4 Ohms
Frequenzgang und Impedanz

