

TM025F13 D04TTZ5470  
101923P

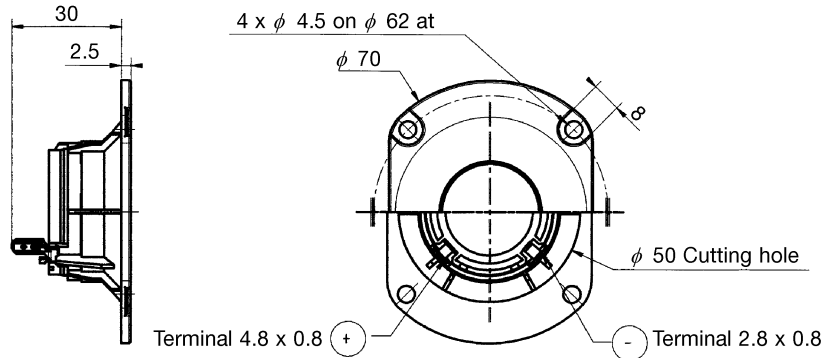
TWEETER

## TM025 . Hi Fi . Rectangular Textile 4Ω - High Efficiency

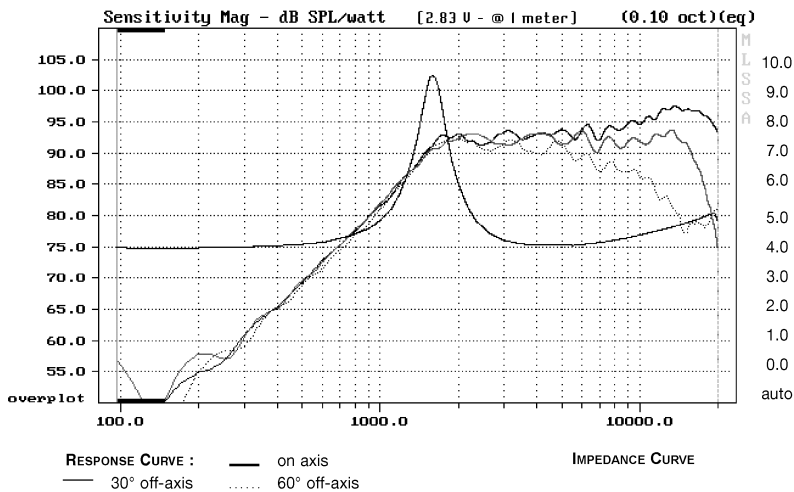


May .99

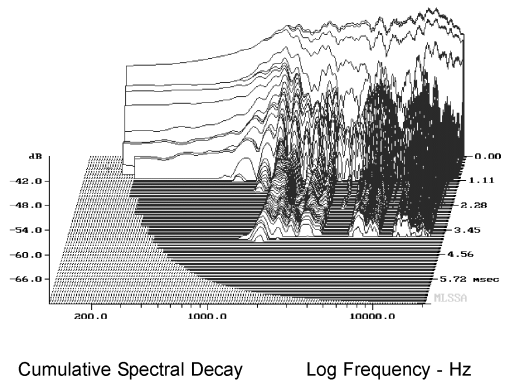
- Extremely high-efficiency (95 dB - 2,83 V - 1m)
- High energy dual neodymium magnet
- Compact design for small high end systems, home theater, center channel, surround sound
- Smooth response face plate profile
- Critically damped catenary soft dome
- Ultra-light copper clad aluminium wire coil
- Compact overmoulded magnet system - inherently shielded



### Response Curve



### Waterfall



### SPECIFICATIONS

Technical characteristics	Symbol	Value	Units
<b>PRIMARY APPLICATION</b>			
Nominal Impedance	Z	4	Ω
Nominal Power Handling	P	70	W
<b>VOICE COIL</b>			
Number of Layers	-	2	-
Wire type	-	round	-
Wire material	-	Aluminium	-
Former material	-	Aluminium	-
Voice coil winding height	-	1,7	mm
Voice coil diameter	$\phi$	25	mm

### SPECIFICATIONS

Technical characteristics	Symbol	Value	Units
<b>PARAMETERS</b>			
Sensitivity (2,83 V - 1m)	E	95	dB
Speaker Mass	m	0,064	kg
<b>MAGNET</b>			
Magnet dimensions	$\phi$ x h	2x25x3	mm
Magnetic Induction	B	1,5	T
Magnetic Stray Flux	Fmag	-	A/m
Gap Height	He	1,5	mm
Linear excursion Capability	Xmax	±0,1	mm

### Suggested Application

Crossover Frequency	Slope	Inductance	Capacitor	Power Handling
Hz	dB / Oct.	mH	μF	W
5200	6	-	6,8	50
2400	12	0,3	15	70