

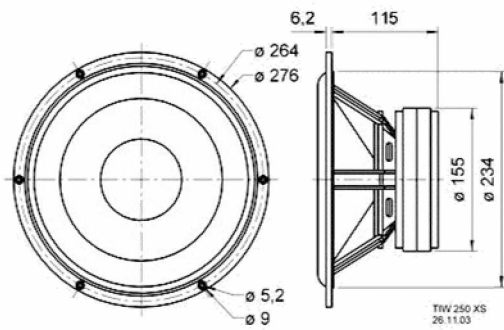
TIW250XS

Visaton 25 cm (10") high-end woofer

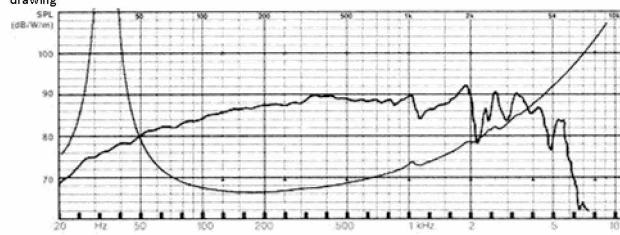


General description

25 cm (10") high-end woofer. The extra-wide elastic surround, the long voice coil and particularly large magnet arrangement give this speaker extremely long excursion. Thanks to the multiple venting of the voice coil (pole piece hole, holes in the pole piece plate, cutouts in the aluminium diecast basket to vent the spider from behind) losses and flow noise are minimised. The capton voice coil carrier and the long voice coil enable the driver to withstand considerable loads. The diaphragm is a sandwich construction made up of layers of fibreglass and polyester fabric which makes it particularly and low in resonance. These design features result in high level-accuracy and excellent low-range bass imaging.



drawing



frequency response