

W250S-8

Visaton 25 cm (10") HiFi woofer 8 Ohm (9035)

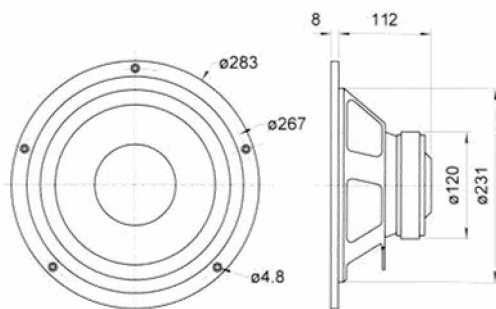


General description

25 cm (10") HiFi woofer with strong drive, extended rear pole plate and 38 mm voice-coil for high power handling. Elastic rubber surround, coated paper cone and magnet vent.

Technical Data:

Nominal power handling	100 Watt
Peak power handling	150 Watt
Nominal impedance	8 Ohm
Frequency response (-10 dB)	fu - 5500 Hz
(fu: Lower cut-off frequency depending on cabinet)	.
Mean sound pressure level	90 dB (1W/1m)
Maximum cone displacement	14 mm
Resonance frequency fs	31 Hz
Magnetic induction	1 Tesla
Magnetic flux	835 μ Weber
Height of front pole-plate	7 mm
Voice coil diameter	3,8 cm
Height of winding	1,7 cm
Cutout diameter	23,3 cm
Net weight	3 kg
D.C. resistance Rdc	6,5 Ohm
Mechanical Q factor Qms	2,2
Electrical Q factor Qes	0,49
Total Q factor Qts	0,4
Equivalent volume Vas	140 l
Effective piston area Sd	346 cm ²
Dynamically moved mass Mms	32 g
Force factor Bxl	9,2 T · m
Inductance of the voice coil L	1,5 mH



drawing

