

LOUDSPEAKER SYSTEM

ZgB 50-8-543 (SOUNDFINDER 130)

9 6111 179 03

TECHNICAL DATA

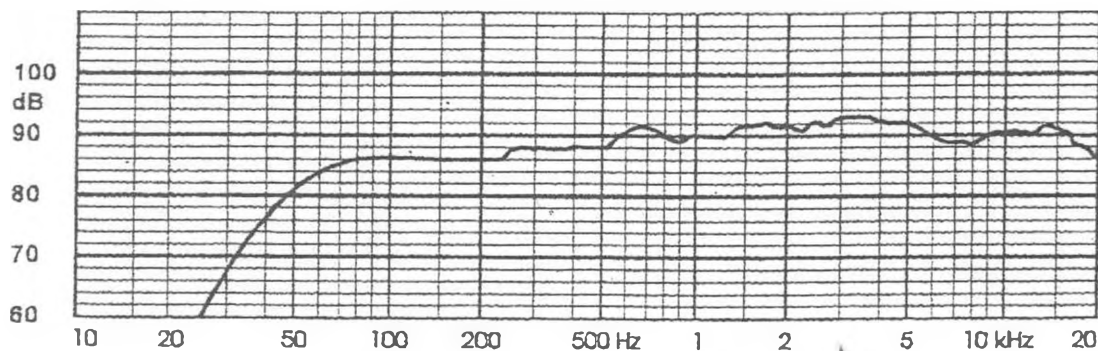
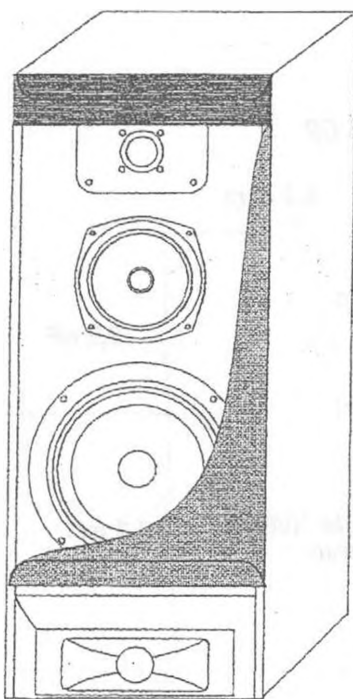
System type
Rated impedance
Rated frequency range
Rated input power
Max. input power
Sensitivity
Crossover frequencies
Loudspeakers:

bass-reflex
8 Ω
45 - 22000 Hz
70 W
130 W
88 dB
2/5 kHz

Dimensions
Mass

GDN 16/40/12 - 8 Ω
GDM 10/80/5 - 8 Ω
GDWK 8 - 12/120 - 8 Ω
240 x 586 x 235 mm
9,5 kg

Finish: PVC



FREQUENCY RESPONSE CURVE

Measured in anechoic room at 1W, 1m, free field.

LOUDSPEAKER SYSTEM

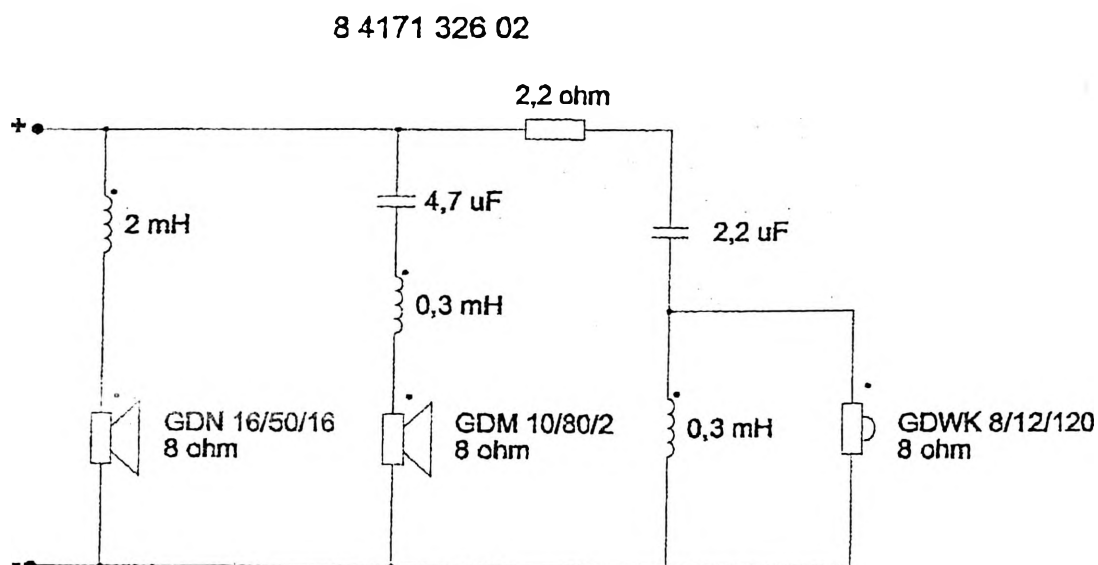
ZgB 50-8-543 (SOUNDFINDER 130)

9 6111 179 03

INDEKSY PODZESPOŁÓW SERWISOWYCH

GDN 16/50/16 - 8 ohm
GDM 10/80/2 - 8 ohm
GDWK 8-12/120 - 8 ohm
Zwrotnica elektryczna

9 5151 275 19
9 5153 090 07
8 4141 041 26 (membrana)
9 5291 144 10



SCHEMAT ZWROTNICY ELEKTRYCZNEJ