

CAR SPEAKER SYSTEM ZgS-40-4/8-688

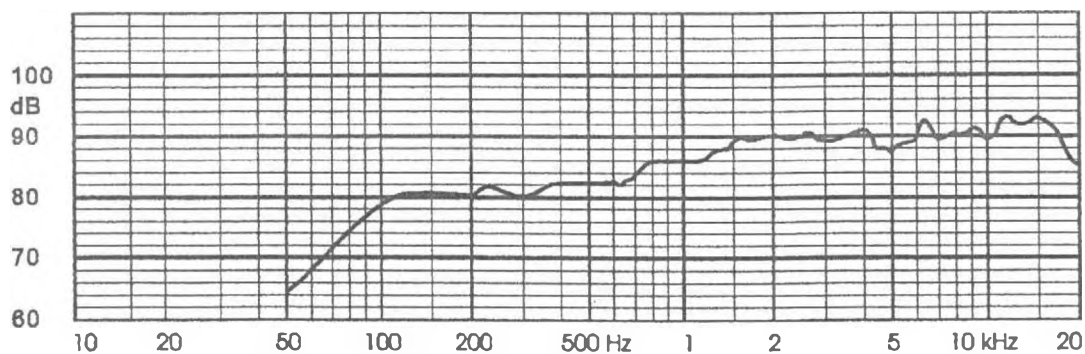
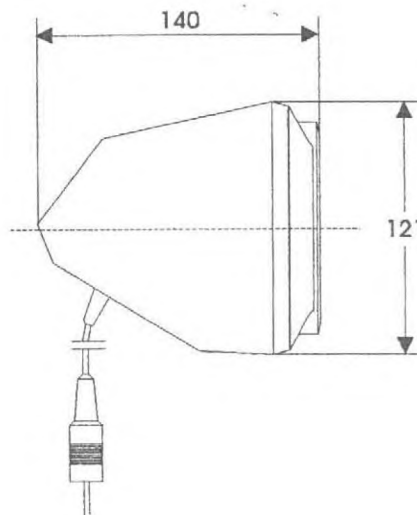
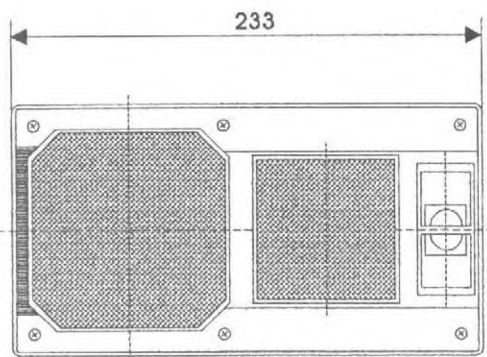
9 6153 024

TECHNICAL DATA

| | | |
|-----------------------|---------------------|------------------------|
| System type | air suspension | |
| Rated impedance | 4 | 8 Ω |
| Rated frequency range | 80 - 20000 | Hz |
| Rated input power | 40 | W |
| Max. input power | 100 | W |
| Sensitivity | 87 | dB |
| Crossover frequencies | 6 | kHz |
| Loudspeakers: | | |
| | GDN 10/30 - 4 | GDN 10/30 - 8 Ω |
| | GDW 5/50 - 8 | GDW 5/50 - 15 Ω |
| | piezoceramic: PCA 1 | PCA 1 |
| Mass | 1,1 | kg |

AVAILABLE VERSIONS

- ZgS-40-4-688, catalogue number 9 6153 024 01
- ZgS-40-8-688, catalogue number 9 6153 024 02



FREQUENCY RESPONSE CURVE
Measured in anechoic room at 1W, 1m, free field.