

54ACQ/74ACQ657 • 54ACTQ/74ACTQ657

Quiet Series Octal Bidirectional Transceiver with 8-Bit Parity Generator/Checker and TRI-STATE® Outputs

General Description

The 'ACQ/'ACTQ657 contains eight non-inverting buffers with TRI-STATE outputs and an 8-bit parity generator/checker. Intended for bus oriented applications, the device combines the '245 and the '280 functions in one package.

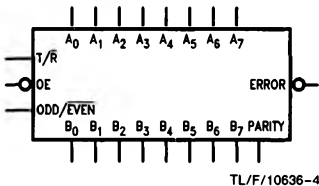
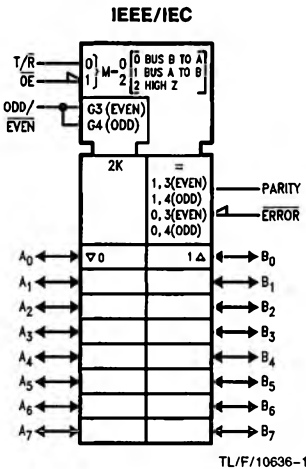
The 'ACQ/'ACTQ utilizes NSC Quiet Series technology to guarantee quiet output switching and improved dynamic threshold performance. FACT Quiet Series™ features GTO™ output control and undershoot corrector in addition to a split ground bus for superior performance.

The information on the ACQ657 is Advanced Information only.

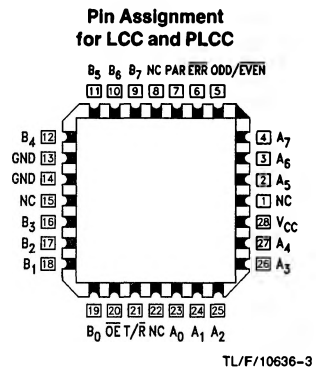
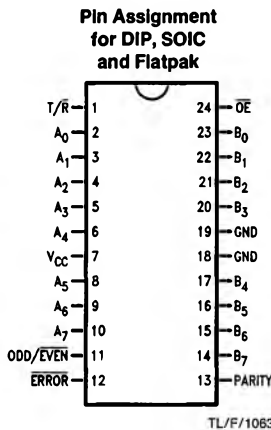
Features

- Guaranteed simultaneous switching noise level and dynamic threshold performance
- Guaranteed pin-to-pin skew AC performance
- Combines the '245 and the '280 functions in one package
- 300 mil 24-pin slim dual-in-line package
- Outputs source/sink 24 mA
- 4 kV minimum ESD immunity

Logic Symbols



Connection Diagrams



Pin Names	Description
A ₀ -A ₇	Data Inputs/TRI-STATE Outputs
B ₀ -B ₇	Data Inputs/TRI-STATE Outputs
T/R	Transmit/Receive Input
OE	Enable Input
PARITY	Parity Input/TRI-STATE Output
ODD/EVEN	ODD/EVEN Parity Input
ERROR	Error Output