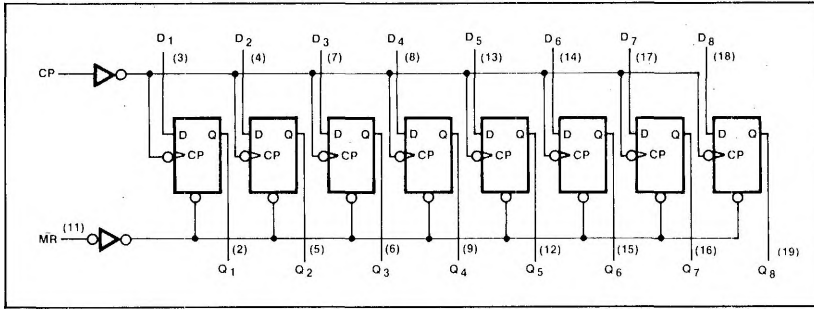


DESCRIPTION

The 54/74LS273 is an Octal D Flip-Flop used primarily as an 8-bit positive edge-triggered storage register. D input informa-

tion is transferred to storage during the Low to High transition of the clock pulse. The Master Reset (MR) input simultaneously clears all flip-flops when low.

LOGIC DIAGRAM



PIN CONFIGURATION

