



# Precision Low Drift SOT-23 Voltage Reference with Shutdown

## ADR318\*

### FEATURES

**Initial Accuracy:**  $\pm 5$  mV Max,  $\pm 0.27\%$  Max  
**Low Temperature Coefficient:** 25 ppm/ $^{\circ}$ C Max  
**Load Regulation:** 100 ppm/mA  
**Line Regulation:** 25 ppm/V  
**Low Supply Headroom:** 0.6 V  
**Wide Operating Range:** ( $V_{OUT} + 0.6$  V) to 15 V  
**Low Power:** 120  $\mu$ A Max  
**Shutdown to Less than 3  $\mu$ A Max**  
**Output Current:** 5 mA  
**Wide Temperature Range:**  $0^{\circ}$ C to  $70^{\circ}$ C  
**Tiny 5-Lead SOT-23 Package**

### APPLICATIONS

**Battery Powered Instrumentation**  
**Portable Medical Instruments**  
**Data Acquisition Systems**  
**Industrial Process Control Systems**  
**Fault Protection Critical Systems**

### GENERAL DESCRIPTION

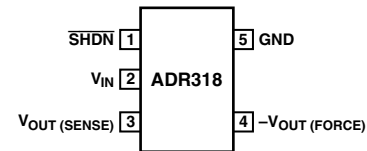
The ADR318 is a precision 1.8 V band gap voltage reference featuring high accuracy, high stability, and low power consumption in a tiny footprint. Patented temperature drift curvature correction techniques minimize nonlinearity of the voltage change with temperature. The wide operating range and low power consumption with additional shutdown capability make the part ideal for battery powered applications. The  $V_{OUT (SENSE)}$  pin enables greater accuracy by supporting full Kelvin operation in PCBs employing thin or long traces.

The ADR318 is a low dropout voltage (LDV) device that provides a stable output voltage from supplies as low as 600 mV above the output voltage. This device is specified over the industrial operating range of  $0^{\circ}$ C to  $70^{\circ}$ C, and is available in the tiny 5-lead SOT-23 package.

The combination of  $V_{OUT (SENSE)}$  and shutdown functions also enables a number of unique applications, combining precision reference/regulation with fault decision and overcurrent protection. Details are provided in the Applications section.

### PIN CONFIGURATION

5-Lead SOT-23



\*Protected by U.S. Patent No. 5,969,657; other patents pending.

REV. 0

Information furnished by Analog Devices is believed to be accurate and reliable. However, no responsibility is assumed by Analog Devices for its use, nor for any infringements of patents or other rights of third parties that may result from its use. No license is granted by implication or otherwise under any patent or patent rights of Analog Devices. Trademarks and registered trademarks are the property of their respective companies.

One Technology Way, P.O. Box 9106, Norwood, MA 02062-9106, U.S.A.  
Tel: 781/329-4700 [www.analog.com](http://www.analog.com)  
Fax: 781/326-8703 © 2003 Analog Devices, Inc. All rights reserved.

# ADR318—SPECIFICATIONS

## ELECTRICAL CHARACTERISTICS ( $T_A = T_{MIN}$ to $T_{MAX}$ , <sup>1</sup> $V_{IN} = 5\text{ V}$ , unless otherwise noted.)

Parameter	Symbol	Conditions	Min	Typ	Max	Unit
Initial Accuracy	$V_O$		1.795	1.8	1.802	V
Initial Accuracy Error	$V_{OERR}$		-0.27		+0.27	%
Temperature Coefficient	$TCV_O$	$0^\circ\text{C}$ to $70^\circ\text{C}$		5	25	ppm/ $^\circ\text{C}$
Minimum Supply Voltage Headroom	$V_{IN} - V_{OUT}$		600			mV
Line Regulation	$\Delta V_{OUT}/\Delta V_{IN}$	$V_{IN} = 2.5\text{ V}$ to $15\text{ V}$ $0^\circ\text{C} < T_A < 70^\circ\text{C}$		10	25	ppm/V
Load Regulation	$\Delta V_{OUT}/\Delta I_{LOAD}$	$V_{IN} = 3\text{ V}$ , $I_{LOAD} = 0\text{ mA}$ to $5\text{ mA}$ $0^\circ\text{C} < T_A < 70^\circ\text{C}$			100	ppm/mA
Quiescent Current	$I_{SY}$	No load $0^\circ\text{C} < T_A < 70^\circ\text{C}$		100	120 140	$\mu\text{A}$ $\mu\text{A}$
Voltage Noise	$e_N$	$0.1\text{ Hz}$ to $10\text{ Hz}$		5		$\mu\text{V p-p}$
Turn-On Settling Time	$t_R$			20		$\mu\text{s}$
Long Term Stability <sup>2</sup>	$\Delta V_{OUT}$			50		ppm/1,000 hrs
Output Voltage Hysteresis	$V_{O\_HYS}$			40		ppm
Ripple Rejection Ratio	RRR	$f_{IN} = 60\text{ Hz}$		85		dB
Short Circuit to Ground	$I_{SC}$	$V_{IN} = 5.0\text{ V}$ $V_{IN} = 15.0\text{ V}$		25 30		mA mA
Shutdown Supply Current	$I_{SHDN}$				3	$\mu\text{A}$
Shutdown Logic Input Current	$I_{LOGIC}$				500	nA
Shutdown Logic Low	$V_{INL}$				0.8	V
Shutdown Logic High	$V_{INH}$		2.4			V

### NOTES

<sup>1</sup> $T_{MIN} = 0^\circ\text{C}$ ,  $T_{MAX} = 70^\circ\text{C}$

<sup>2</sup>The long-term stability specification is noncumulative. The drift in subsequent 1,000 hour periods is significantly lower than in the first 1,000 hour period.

Specifications subject to change without notice.

### ABSOLUTE MAXIMUM RATINGS<sup>1,2</sup>

Supply Voltage . . . . .	18 V
Output Short-Circuit Duration to GND . . . . .	Observe Derating Curves
Storage Temperature Range RJ Package . . . . .	-65°C to +125°C
Operating Temperature Range . . . . .	0°C to 70°C
Junction Temperature Range RJ Package . . . . .	-65°C to +150°C
Lead Temperature Range Soldering, 60 sec . . . . .	300°C

Package Type	$\theta_{JA}$	$\theta_{JC}$	Unit
5-Lead SOT-23 (RJ)	230	146	°C/W

### NOTES

<sup>1</sup>Absolute maximum ratings apply at 25°C, unless otherwise noted.

<sup>2</sup>Stresses above those listed under Absolute Maximum Ratings may cause permanent damage to the device. This is a stress rating only; functional operation of the device at these or any other conditions above those listed in the operational sections of this specification is not implied. Exposure to absolute maximum rating conditions for extended periods may affect device reliability.

### ORDERING GUIDE

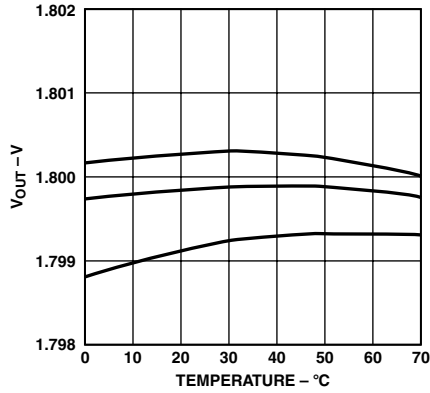
Model	Temperature Range	Package Description	Package Option	Branding Information	Output Voltage	Devices per Reel
ADR318ARJ-REEL7	0°C to 70°C	5-Lead SOT-23	RJ-5	R0A	1.800 V	3,000

### CAUTION

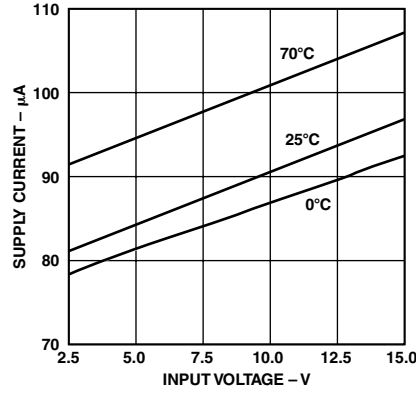
ESD (electrostatic discharge) sensitive device. Electrostatic charges as high as 4000 V readily accumulate on the human body and test equipment and can discharge without detection. Although the ADR318 features proprietary ESD protection circuitry, permanent damage may occur on devices subjected to high energy electrostatic discharges. Therefore, proper ESD precautions are recommended to avoid performance degradation or loss of functionality.



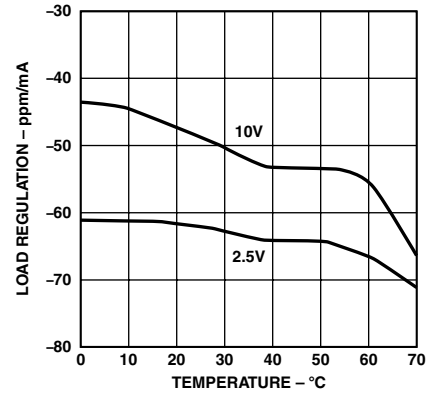
# ADR318—Typical Performance Characteristics



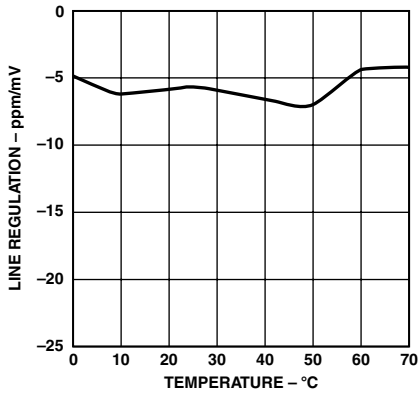
TPC 1. Typical Output Voltage vs. Temperature



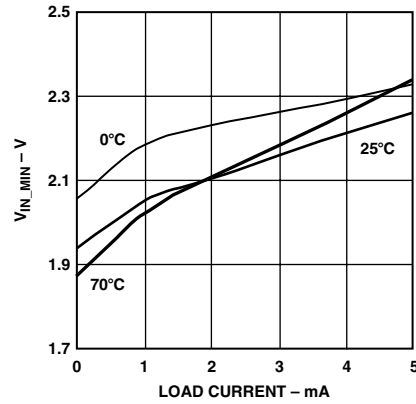
TPC 2. Supply Current vs. Input Voltage



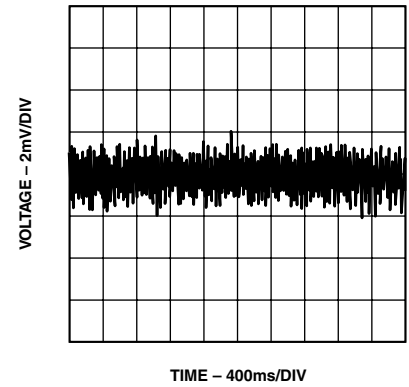
TPC 3. Load Regulation vs. Temperature



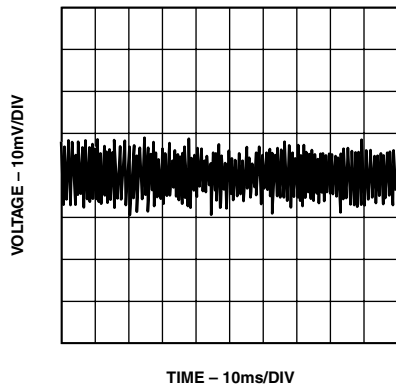
TPC 4. Line Regulation vs. Temperature



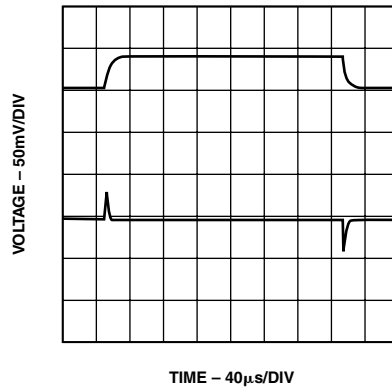
TPC 5. Minimum Input Voltage vs. Load Current



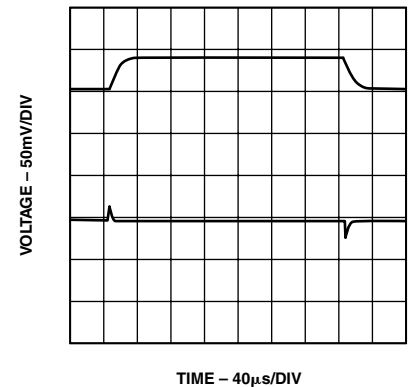
TPC 6. Typical Output Voltage Noise 0.1 Hz to 10 Hz



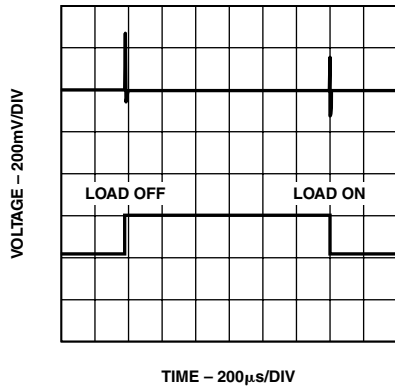
TPC 7. Typical Output Voltage Noise 10 Hz to 10 kHz



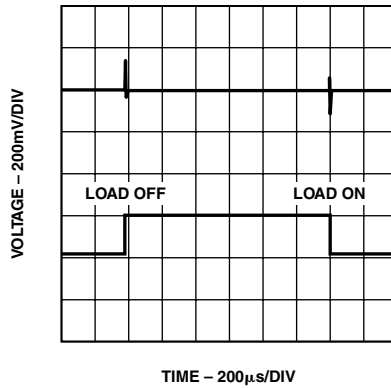
TPC 8. Line Transient Response,  $C_{BYPASS} = 0 \mu F$



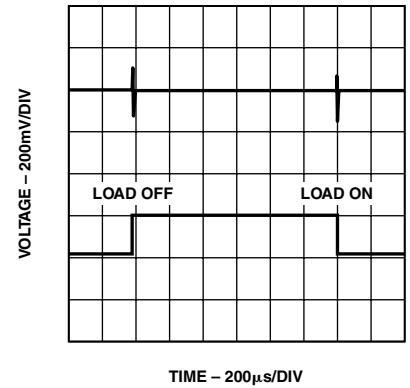
TPC 9. Line Transient Response,  $C_{BYPASS} = 0.1 \mu F$



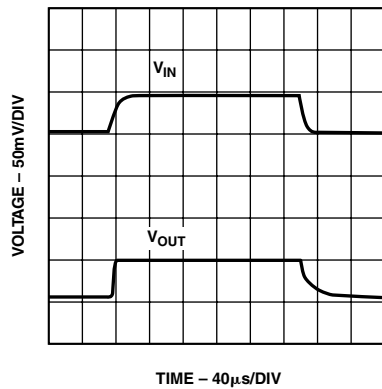
TPC 10. Load Transient Response,  $C_L = 0 \text{ nF}$



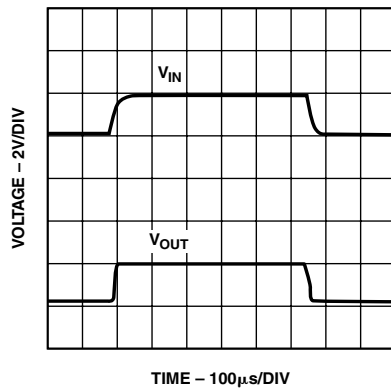
TPC 11. Load Transient Response,  $C_L = 1 \text{ nF}$



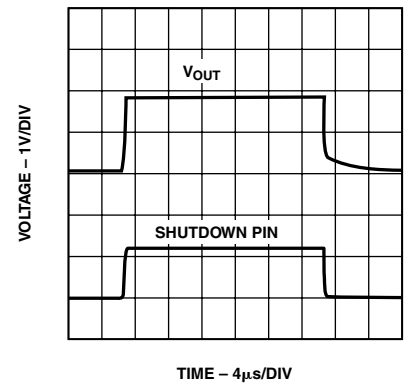
TPC 12. Load Transient Response,  $C_L = 100 \text{ nF}$



TPC 13. Turn On/Turn Off Response at 5 V,  $R_{LOAD} = 1.8 \text{ k}\Omega$



TPC 14. Turn On/Turn Off Response at 5 V,  $R_{LOAD} = 1.8 \text{ k}\Omega$ ,  $C_{BYPASS} = 0.1 \text{ }\mu\text{F}$



TPC 15. Shutdown Pin Response



## APPLICATIONS

### Basic Voltage Reference Connection

The circuit in Figure 2 illustrates the basic configuration for the ADR318. Decoupling capacitors are not required for circuit stability. The ADR318 is capable of driving capacitive loads from 0  $\mu\text{F}$  to 10  $\mu\text{F}$ . However, a 0.1  $\mu\text{F}$  ceramic output capacitor is recommended to absorb and deliver the charge as is required by a dynamic load.

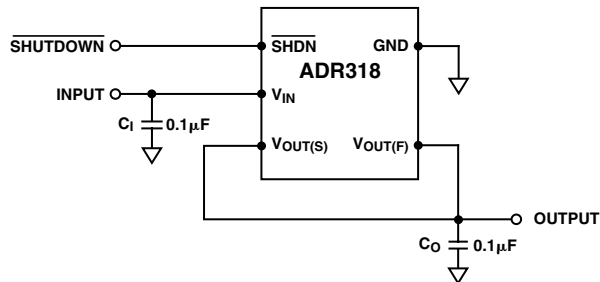


Figure 2. Voltage Reference Connection

### Precision Negative Voltage Reference without Precision Resistors

A negative reference can be easily generated by combining the ADR318 with an op amp. Figure 3 shows this simple negative reference configuration.  $V_{\text{OUT(F)}}$  and  $V_{\text{OUT(S)}}$  are at virtual ground and therefore the negative reference can be taken directly from the output of the op amp. The op amp should be a dual-supply, low offset, rail-to-rail amplifier, such as the OP1177.

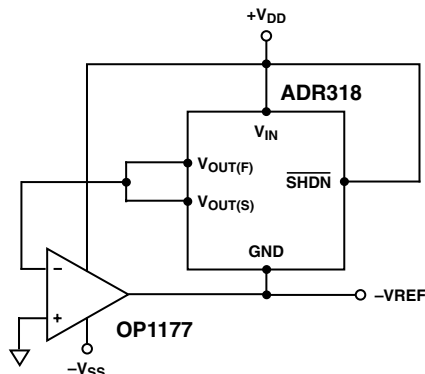


Figure 3. Negative Reference

### General-Purpose Current Source

Many times in low power applications, the need arises for a precision current source that can operate on low supply voltages. As shown in Figure 4, the ADR318 can be configured as a precision current source. The circuit configuration illustrated is a floating current source with a grounded load. The reference's output voltage is bootstrapped across  $R_1$ , which sets the output current into the load. With this configuration, circuit precision is maintained for load currents in the range from the reference's supply current, typically 90  $\mu\text{A}$  to approximately 5  $\text{mA}$ . The supply current is a function of  $I_{\text{SET}}$  and will increase slightly at a given  $I_{\text{SET}}$ .

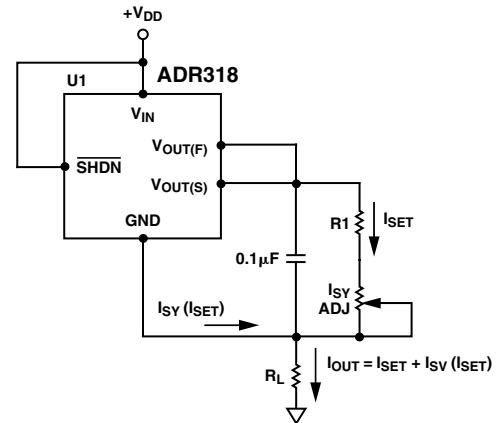


Figure 4. General-Purpose Current Source

# ADR318

## High Power Performance with Current Limit

In some cases, the user may want higher output current delivered to a load and still achieve better than 0.5% accuracy out of the ADR318. The accuracy for a reference is normally specified on the data sheet with no load. However, the output voltage changes with load current.

The circuit in Figure 5 provides high current without compromising the accuracy of the ADR318. The power BJT Q1 provides the required current, up to a 1 A. The ADR318 delivers the base drive to Q1 through the force pin. The sense pin of the ADR318 is a regulated output and is connected to the load.

The transistor Q2 protects Q1 during short circuit limit faults by robbing its base drive. The maximum current is  $I_{L, MAX} = 0.6 V/R_S$ .

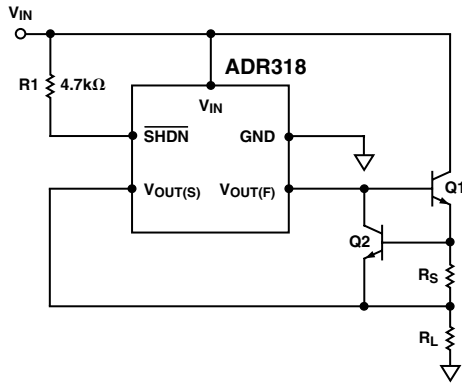


Figure 5. High Power Performance with Current Limit

A similar circuit function can also be achieved using the Darlington transistor configuration, as shown in Figure 6.

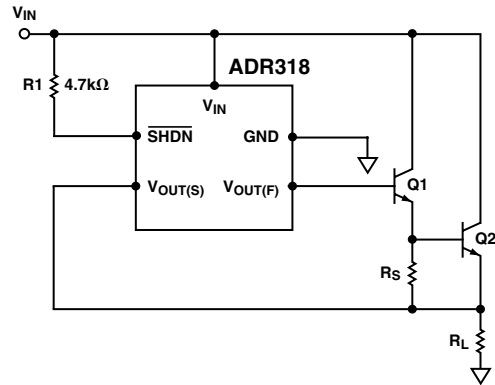
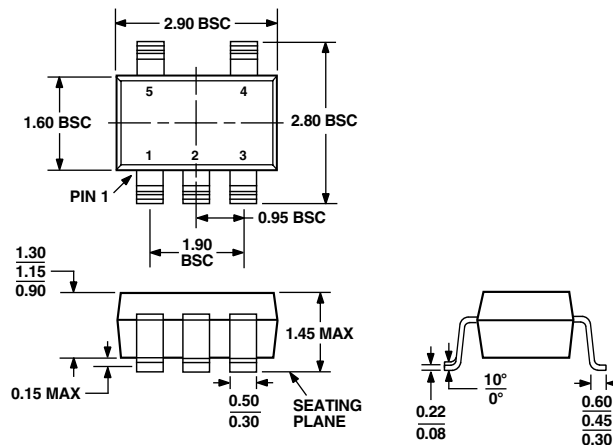


Figure 6. High Output Current with Darlington Drive Configuration

## OUTLINE DIMENSIONS

### 5-Lead Plastic Surface-Mount Package [SOT-23] (RJ-5)

Dimensions shown in millimeters



COMPLIANT TO JEDEC STANDARDS MO-178AA