

# AN6891

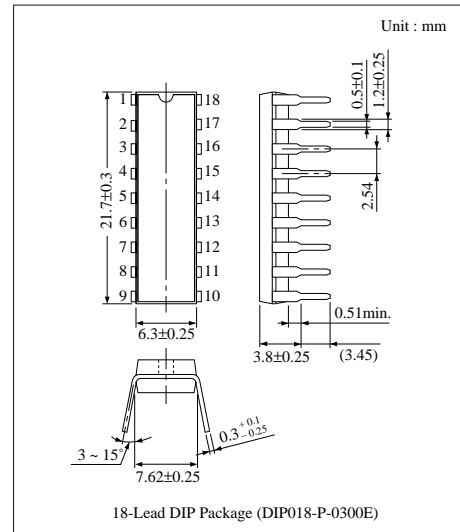
## 12-Dot LED Driver Circuit

### ■ Overview

The AN6891 is an IC driving 12-LED and is capable of logarithmic bar graph display for input signal. Incorporating high gain rectification amp. enable to apply VU/Signal meter widely. Because the output is the constant current pull-in type, the constant current value can be variable by changing external resistance.

### ■ Features

- Wide range of operating voltage : 7V ~ 16V
- Power consumption can be reduced to series connection of LEDs.
- Wide range of constant current : 5mA ~ 25mA
- Built-in high-gain amp. :  $G_V = 26\text{dB typ.}$



### ■ Block Diagram

