

AN8072N

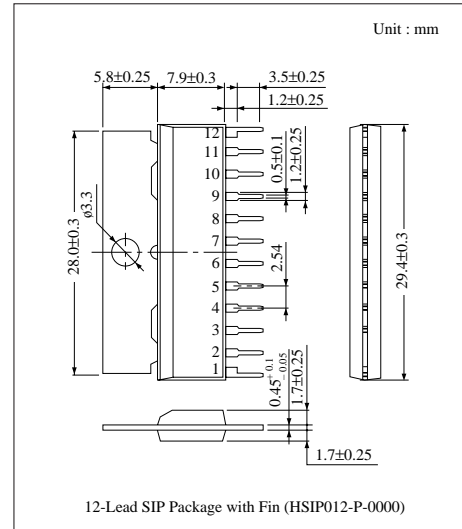
Multi Output Power Supply Regulator

■ Overview

The AN8072N is a multi-output IC designed for power supply regulator incorporating 5-ch positive output power supply which is 2-ch 8V output, 2-ch 10V output and 1-ch 10V output. It is most suitable for equipments which need multi supply voltage supply.

■ Features

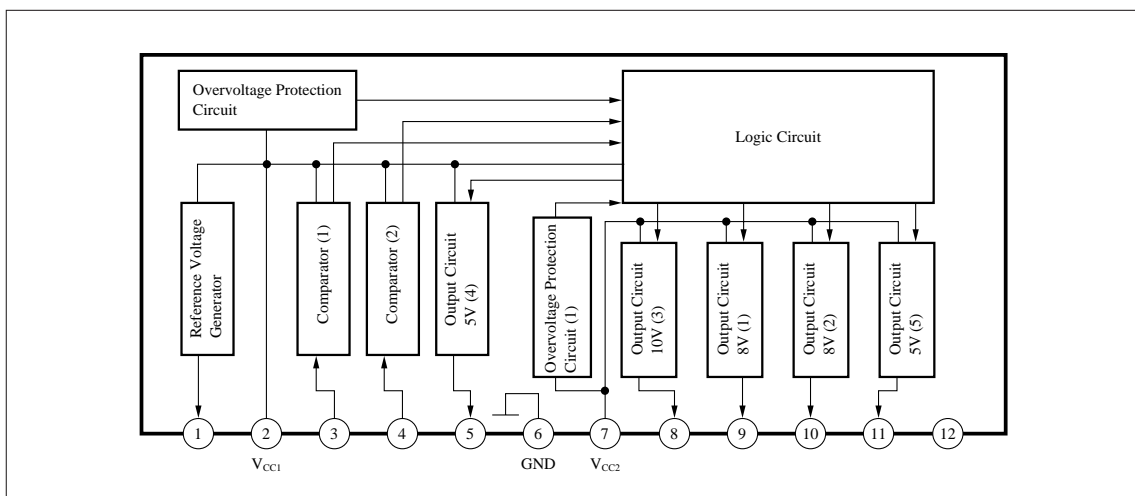
- Operating supply voltage range : $V_{CC (opr.)} = 10.5V \sim 16V$ (Battery Voltage)
- Low power consumption : $I_{CC} = 1.6mA$ typ.
- Overvoltage, output short protection built-in
- 5-ch constant voltage output ON/OFF by battery input, ACC input and control input



■ Main Characteristics

	Output Voltage	Max. Load Current	Input Stability (max.)	Load Stability (max.)	Protection Circuit		Output ON/OFF Function
					Output Short	Overvoltage	
Output 1	8V	200mA	200mV	200mV	Built-in	Built-in	Built-in
Output 2	8V	100mA	150mV	150mV	Built-in	Built-in	Built-in
Output 3	10V	12mA	200mV	200mV	—	—	—
Output 4	5V	60mA	100mV	100mV	Built-in	Built-in	—
Output 5	5V	60mA	100mV	50mV	Built-in	Built-in	—

■ Block Diagram



■ Absolute Maximum Ratings (Ta = 25°C)

Parameter	Symbol	Rating	Unit
Supply Voltage	V _{CC}	20	V
Supply Current	I _{CC}	340 *	mA
Power Dissipation (Ta = 75°C)	P _D	1200	mW
Operating Ambient Temperature	T _{opr}	- 30 ~ + 75	°C
Storage Temperature	T _{stg}	- 55 ~ +150	°C

* Incorporates a load current 330mA.

■ Recommended Operating Range (Ta = 25°C)

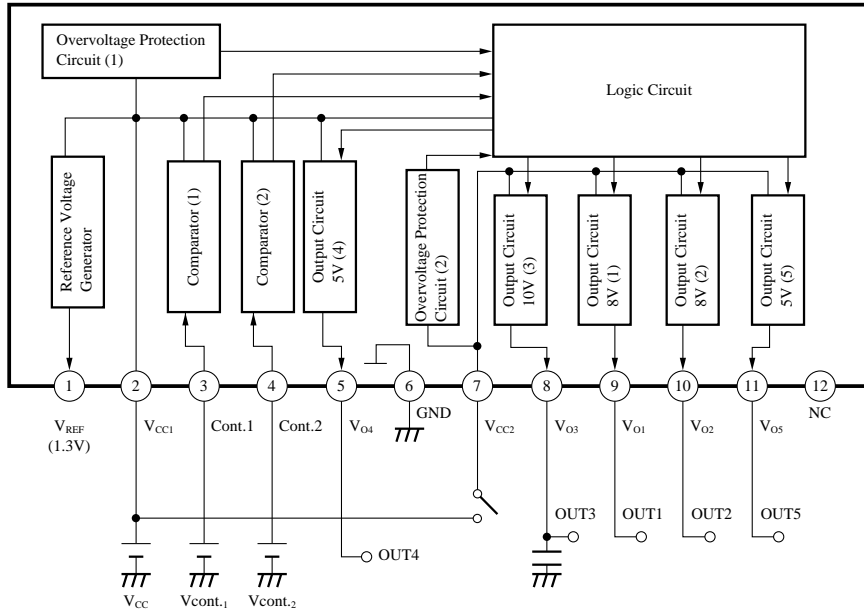
Parameter	Symbol	Range
Operating Supply Voltage Range	V _{CC1}	10.5V ~ 16V

■ Electrical Characteristics (Ta = 25°C)

(Each output is obtained by setting control pin for H/L according to timing chart in P.701.)

Parameter	Symbol	Condition	min.	typ.	max.	Unit
Output 1						
Output Voltage (FM)	V ₉₋₆	V ₂ = 13.2V, I ₉ = 120mA	7.6	8	8.32	V
Input Stability	ΔV ₉₋₆	V ₂ = 10.5V~16V, I ₉ = 120mA	—	100	200	mV
Load Stability	ΔV ₉₋₆	V ₂ = 13.2V, I ₉ = 10mA ~ 200mA	—	80	200	mV
Min. I/O Voltage Difference	V ₂₋₉	I ₉ = 200mA	—	2.1	—	V
Output 2						
Output Voltage (AM)	V ₁₀₋₆	V ₂ = 13.2V, I ₁₀ = 50mA	7.6	8	8.32	V
Input Stability	ΔV ₁₀₋₆	V ₂ = 10.5V~16V, I ₁₀ = 50mA	—	60	150	mV
Load Stability	ΔV ₁₀₋₆	V ₂ = 13.2V, I ₁₀ = 5mA~100mA	—	65	150	mV
Min. I/O Voltage Difference	V ₂₋₁₀	I ₁₀ = 100mA	—	1.9	—	V
Output 3						
Output Voltage (V _{VAR})	V ₈₋₆	V ₂ = 13.2V, I ₈ = 10mA	9.5	9.9	10.3	V
Input Stability	ΔV ₈₋₆	V ₂ = 10.5V~16V, I ₈ = 10mA	—	60	200	mV
Load Stability	ΔV ₈₋₆	V ₂ = 13.2V, I ₈ = 1mA~12mA	—	75	200	mV
Min. I/O Voltage Difference	V ₇₋₈	I ₈ = 10mA	—	0.1	—	V
Output 4						
Output Voltage (V _{DD})	V ₅₋₆	V ₂ = 13.2V, I ₅ = 30mA	4.7	5	5.2	V
Input Stability	ΔV ₅₋₆	V ₂ = 10.5V~16V, I ₅ = 30mA	—	25	100	mV
Load Stability	ΔV ₅₋₆	V ₂ = 13.2V, I ₅ = 1mA ~ 60mA	—	40	100	mV
Min. I/O Voltage Difference	V ₂₋₅	I ₅ = 60mA	—	1.8	—	V
Output 5						
Output Voltage (CE)	V ₁₁₋₆	V ₂ = 13.2V, I ₁₁ = 30mA	4.7	5	5.2	V
Input Stability	ΔV ₁₁₋₆	V ₂ = 10.5V~16V, I ₁₁ = 30mA	—	40	100	mV
Load Stability	ΔV ₁₁₋₆	V ₂ = 13.2V, I ₁₁ = 1mA ~ 60mA	—	5	50	mV

■ Application Circuit



■ Pin Descriptions

Pin No.	Pin Name	Typ. Waveform	Pin Description	Equivalent Circuit
1	Reference Voltage Output Pin	DC 1.3V	IC internal reference voltage for making 5 output. For monitor	_____
2	Supply Pin (1)	DC 13.2V	V _{CC} (1)	_____
3	Control Input Pin		For FM AM output switching	
4	Control Input Pin		For FM AM output switching	
5	V _{DD} Output Pin	DC 5V	5V output	
6	GND	DC 0V	GND	_____
7	Supply Pin (2)	DC 13.2V	V _{CC} (2)	_____
8	V _{VAR} Output Pin	DC 10V	10V output	
9	FM Output Pin	DC 8V	8V output	
10	AM Output Pin	DC 8V	8V output	
11	CE Output Pin	DC 5V	5V output	
12	NC	—	NC	_____

■ Supplementary Explanation
• I/O Timing Chart

