

Features

- **Single-chip Sound Studio with Typical Applications including:**
 - Wavetable Synthesis, Serial MIDI In & Out, MPU-401 (UART)
 - Game-compatible Synthesis with Adlib Interface
 - Effects: Reverb and Chorus
 - Directsound™, Direct3Dsound™ Accelerator with Static Buffer Support
 - Interactive 3-D Positioning
 - Four-channel Surround
 - Four-band Equalizer
 - Mixer
- **High-quality Wavetable Synthesis**
 - 16-bit Samples with up to 48 kHz Sampling Rate
 - Internal Computations on 28 Bits, DAC Support up to 20 Bits
 - Alternate Loop, 24 dB Digital Filter for Each Voice
- **Professional Effects**
 - 13 Delay Lines for Resonance-free Stereo Reverb
- **Four-band Final Equalizer Allows Dramatic Sound presence Improvement**
- **Expandable**
 - Minimum System: ATSAM9707 + 512K Bytes of ROM + 32K x 8 RAM + DAC
 - Maximum System: ATSAM9707 + 64M Bytes of DRAM + Codec + DAC
- **High Performance**
 - RISC Structure for Sound Synthesis/Processing
 - CISC Structure for Host Communication and Housekeeping
 - Audio Transfer at Maximum 16-bit ISA Bus Speed
 - Audio Transfer in Burst Mode: Removes DMA-controlled Transfer Burden
- **Fully Programmable**
 - Firmware Downloaded to Memory at Power-up. Easy Software Upgrade.
 - Chip Programming Open to Third-party Software Companies
 - Powerful Programming and Debugging Tools: Algorithm Compiler, Sound Editor, Assembler and Source Debugger. Direct Development from PC Environment, No Special Emulator Required
- **Top Technology**
 - Single Low-frequency Crystal Operation and Built-in PLL Minimize RFI
 - 144-lead TQFP Space-saving Package
- **Pin and Function Compatible with ATSAM9407 with Additional Features for Professional Use:**
 - Up to Eight Channels of Audio-in
 - Improved Digital Mix Levels and Digital Overflow Handling
 - Improved Tuning Accuracy
 - Additional DSP Micro-instructions and Datapath for More Efficient Audio Processing Algorithm Coding

Note: Pin-to-pin replacement for ATSAM9407 requires 3.3V core supply V_{C3} .

Description

The ATSAM9707 is a highly integrated sound processor studio that combines a specialized high-performance RISC-based digital signal processor (synthesis/DSP) and a general-purpose 16-bit CISC-based control processor on a single chip. An on-chip memory management unit (MMU) allows the synthesis/DSP and the control processor to share external ROM and/or RAM memory devices. An intelligent peripheral I/O interface function handles other I/O interfaces, such as the ISA PC bus, the on-chip MIDI UART and the codec control interface, with minimum intervention from the control processor.



Sound Synthesis

ATSAM9707 Integrated Sound Studio





Pin Description

Table 1. Pins by Function

Pin Name	Pin Count	Type	Function
GND	17	PWR	Power ground – All GND pins should be returned to digital ground.
V _{C3}	3	PWR	Core power +3.3V nominal (3V to 4.5V). All V _{C3} pins should be returned to +3.3V.
V _{CC}	15	PWR	Power +3V to +5.5V – All V _{CC} pins should be returned to +5V (or 3.3V in case of single 3.3V supply).
D[15:0]	16	I/O	16-bit data bus to host processor. Has enough driving power to drive ISA PC bus directly (24 mA buffer). Information on these pins is: - parallel MIDI (MPU-401 type applications) - Adlib control (game sound-type emulation) - Down-/upload of PCM data or application programs Direct ISA PC bus drive requires 5V V _{CC} .
$\overline{\text{CS}}$	1	IN	Chip select from host, active low
$\overline{\text{WR}}$	1	IN	Write from host, active low
$\overline{\text{RD}}$	1	IN	Read from host, active low
A[1:0]	3	IN	Selects one of eight internal registers - 0, 1: MPU-401 registers - 2, 3: 16-bit data (burst DMA mode) - 4-7: game sound registers
IRQ	1	TSout	Tri-state output pin. Can be connected directly to host IRQ line (24 mA).
$\overline{\text{SBHE}}$	1	IN	Bus high enable signal, active low. Normally connected to GND.
I/O READY	1	OUT	Open drain output buffer (24 mA); driven low during 16-bit burst mode transfers to synchronize PC to the ATSAM9707 memory.
$\overline{\text{I/O CS16}}$	1	OUT	Open drain output buffer (24 mA); driven low during 16-bit burst mode transfers. Indicates to host that a 16-bit I/O is in progress.
RESET	1	IN	Master reset input, active low. Schmitt trigger input.
X1 X2	2		Crystal connection. Crystal frequency should be $f_s \times 256$ (typ 11.2896 MHz). Crystal frequency is internally multiplied by four to provide the IC master clock. X1 can also be used as external clock input (3.3V input). X2 CANNOT BE USED TO DRIVE EXTERNAL CIRCUITRY.
DABD[1:0]	2	OUT	Two stereo serial audio data outputs (four audio channels). Each output holds 64 bits (2 x 32) of serial data per frame. Audio data has precision of up to 20 bits. DABD0 can hold additional control data (mute, A/D gain, D/A gain, etc.).
CLBD	1	OUT	Audio data bit clock; provides timing to DABD061.
WSBD	1	OUT	Audio data word select. The timing of WSBD can be selected to be I2S or Japanese compatible.
DAAD	1	IN	Stereo serial audio data input
MIDI_IN	1	IN	Serial MIDI_IN input
MIDI_OUT	1	OUT	Serial MIDI_OUT output

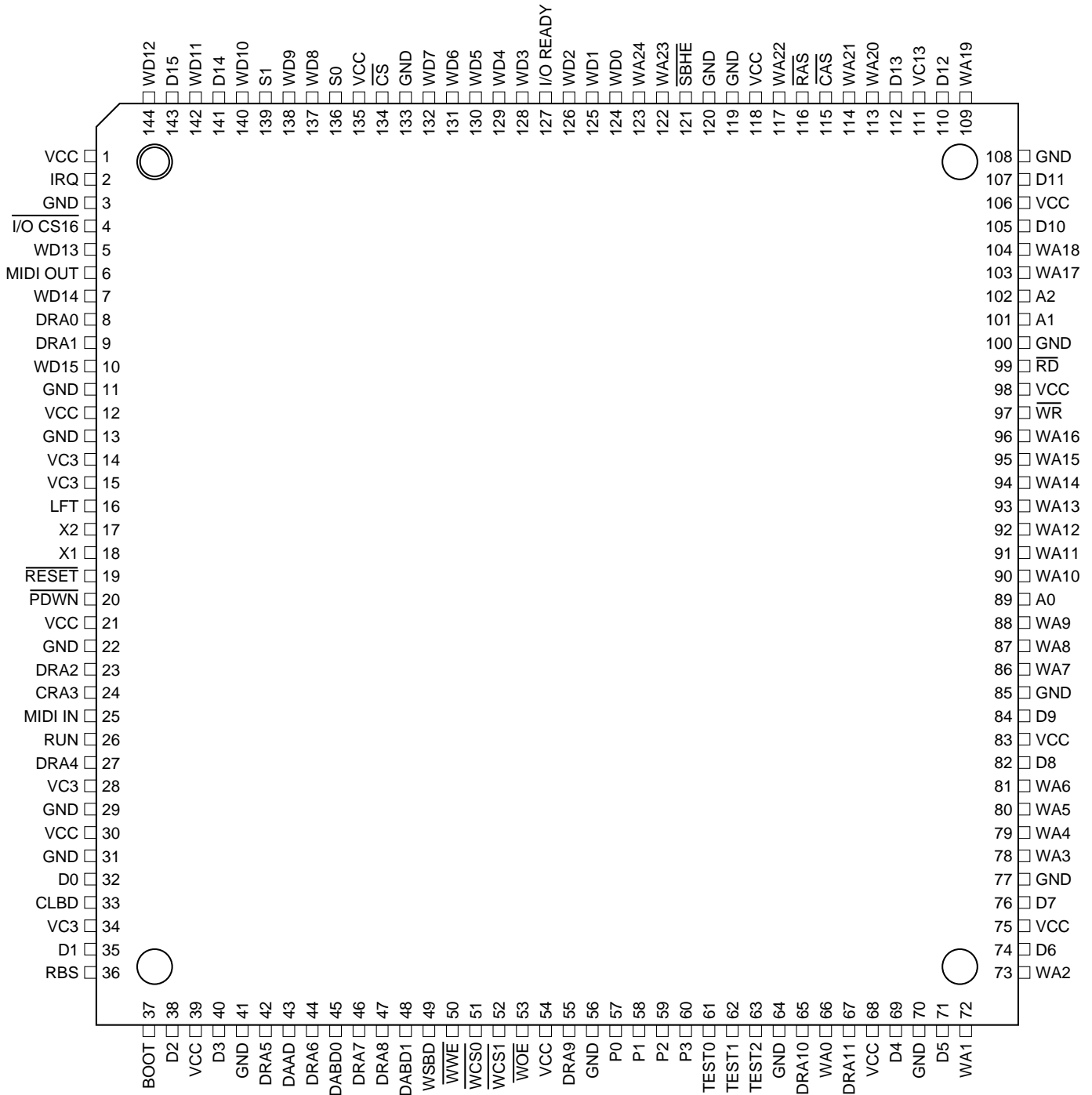
Table 1. Pins by Function (Continued)

Pin Name	Pin Count	Type	Function
WA[24:0]	25	OUT	External memory address (ROM/SRAM). Up to 32M words (64M 8-bit samples).
WD[15:0]	16	I/O	PCM ROM/SRAM/DRAM data
RBS	1	OUT	SRAM byte select: Should be connected to the lower RAM address when 8-bit wide SRAM is used. The type of RAM (16 bits/8 bits) can be selected by program.
$\overline{WCS0}$	1	OUT	PCM ROM chip select, active low.
$\overline{WCS1}$	1	OUT	SRAM chip select, active low.
\overline{WWE}	1	OUT	SRAM/DRAM write enable, active low. Timing compatible with SIMM DRAM early write feature.
\overline{WOE}	1	OUT	PCM ROM/SRAM output enable, active low.
BOOT	1	IN	Active high, specifies that built-in CPU bootstrap should be used at power-up (case of DRAM connection only).
DRA[11:0]	12	OUT	Multiplex DRAM address: 9-, 10-, 11-, 12-bit multiplex addressing can be used (from 256K x 16- to 16M x 16-type configurations).
\overline{RAS}	1	OUT	DRAM row address strobe
\overline{CAS}	1	OUT	DRAM column address strobe
P[3:0]	4	I/O	General-purpose configurable I/O pins. P1 to P3 can be configured as three additional stereo serial audio data inputs, providing the DAAD with up to eight channels of audio-in.
S[1:0]	2	OUT	Indicates type of external memory cycle. S1S0 = 01: Idle or refresh, 00: Synthesis access, 10: Instruction fetch, 11: Processor read/write
RUN	1	OUT	High when the synthesis is initialized. Can be used as \overline{RESET} for an external device (CODEC).
LFT	1	ANA	PLL low pass filter. Should be connected to an external RC network test pin; should be returned to GND.
TEST[2:0]	3	IN	Test pins; should be returned to GND.
\overline{PDWN}	1	IN	Power-down, active low.

Note: Pin names with an overbar (\overline{RAS} for example) indicate that the signal is active low.

Pinout

Figure 1. ATSAM9707 in 144-lead TQFP Package



Typical Designs

Figure 2. Lowest Cost Design Architecture

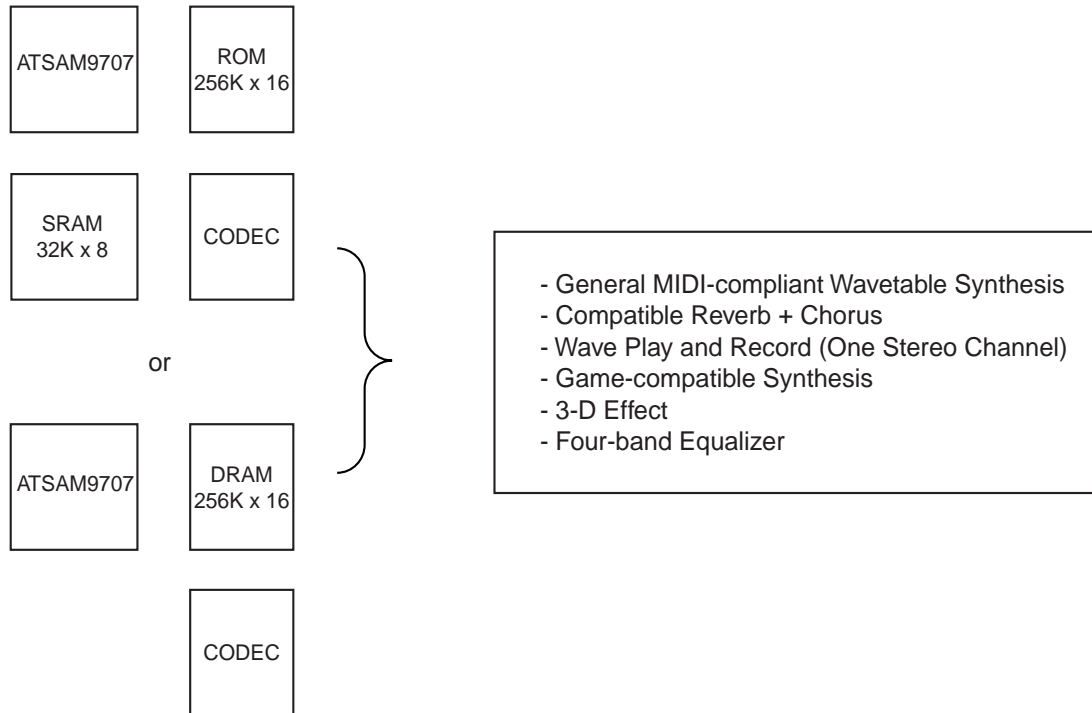
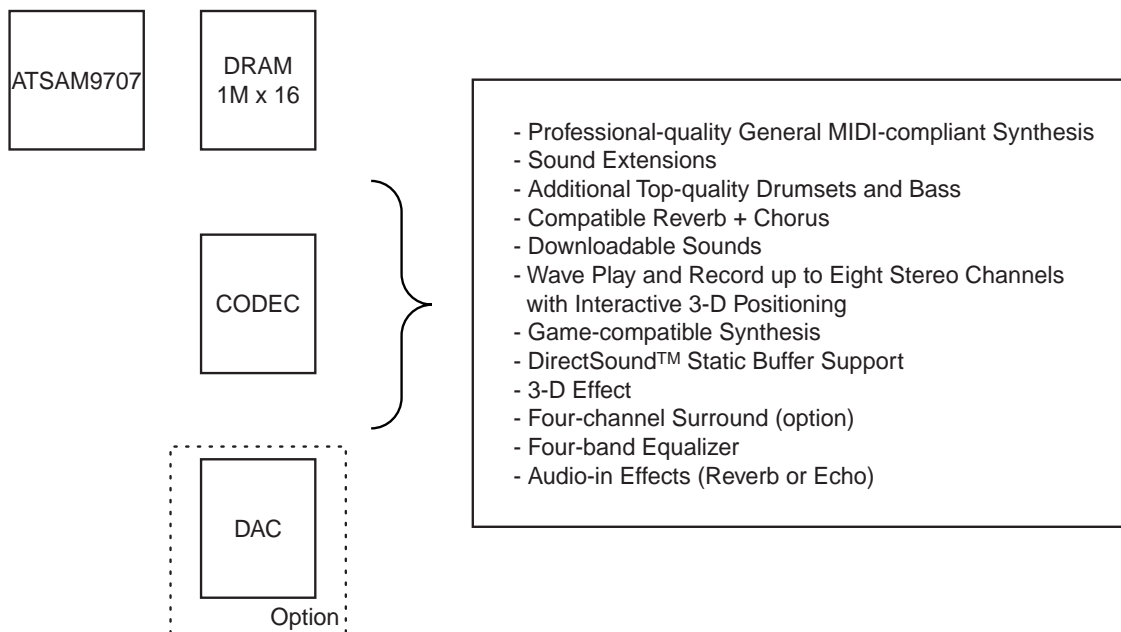
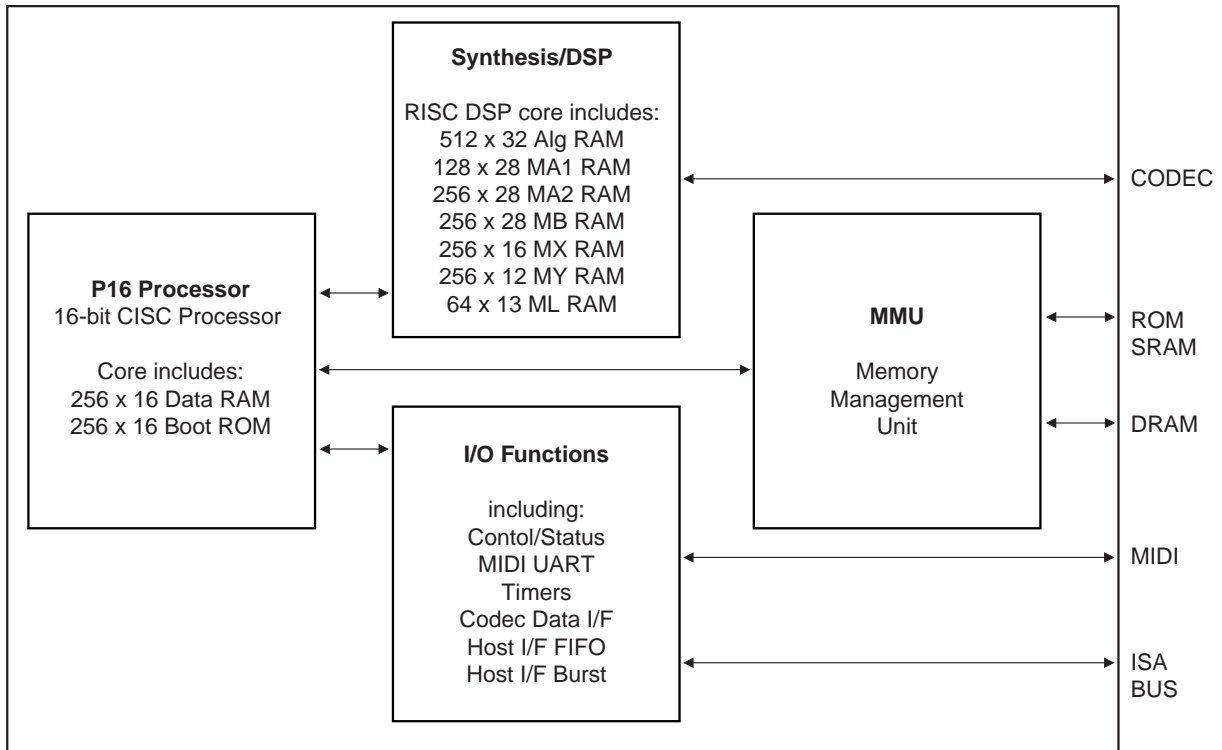


Figure 3. Typical Design Architecture



Functional Description

Figure 4. IC Architecture



Synthesis/DSP Engine

The synthesis/DSP engine operates on a frame-timing basis with the frame subdivided into 64 process slots. Each process is itself divided into 16 micro-instructions known as “algorithms”. Up to 32 synthesis/DSP algorithms can be stored on-chip in the Alg RAM memory, allowing the device to be programmed for a number of audio signal generation/processing applications. The synthesis/DSP engine is capable of generating 64 simultaneous voices using algorithms such as wavetable synthesis with interpolation, alternate loop and 24 dB resonant filtering for each voice. Slots may be linked together (ML RAM) to allow implementation of more complex synthesis algorithms.

A typical multimedia application will use half the capacity of the synthesis/DSP engine for synthesis, thus providing state-of-the-art 32-voice wavetable polyphony. The remaining processing power will be used for typical functions such as reverberation, chorus, direct sound, surround effect, equalizer, etc.

Frequently accessed synthesis/DSP parameter data are stored into five banks of on-chip RAM memory. Sample data or delay lines, which are accessed relatively infrequently, are stored in external ROM, SRAM or DRAM memory. The combination of localized micro-program memory and localized parameter data allows micro-instructions to execute in 20 ns (50 MIPS). Separate buses from each of the on-chip parameter RAM memory banks allow highly parallel data movement to increase the effectiveness of each micro-instruction. With this architecture, a single micro-instruction can accomplish up to six simultaneous operations (add, multiply, load, store, etc.), providing a potential throughput of 300 million operations per second (MOPS).

P16 Control Processor and I/O Functions

The P16 control processor is a general-purpose 16-bit CISC processor core that runs from external memory. A Boot/Macro ROM is included on-chip to accelerate commonly executed routines and to allow the use of RAM-only devices for the external memory. The P16 also includes 256 words of local RAM data memory.

The P16 control processor writes to the parameter RAM blocks within the synthesis/DSP core in order to control the synthesis process. In a typical application, the P16 control processor parses and interprets incoming commands from the MIDI UART or from the PC ISA interface and then controls the synthesis/DSP by writing into the parameter RAM banks in the DSP core. Slowly changing synthesis functions, such as LFOs, are implemented in the P16 control processor by periodically updating the DSP parameter RAM variables.

The P16 control processor interfaces with other peripheral devices, such as the system control and status registers, the on-chip MIDI UART, the on-chip timers and the ISA PC interface, through specialized "intelligent" peripheral I/O logic. This I/O logic automates many of the system I/O transfers to minimize the amount of overhead processing required from the P16.

The ISA PC interface is implemented using three address lines (A2, A1, A0), a chip select signal, read-and-write strobes from the host and a 16-bit data bus (D[15:0]).

The data bus can drive the PC bus directly (24 mA buffers). An external decoder (PAL) or plug & play IC is required to map the 12-bit I/O addresses and AEN from the PC into the three address lines and chip select from the ATSAM9707.

The ISA PC interface supports a byte-wide primary I/O interface, a byte-wide auxiliary interface and a 16-bit port dedicated to burst transfers.

The primary I/O interface is normally used to implement a Roland MPU-401 UART-mode compatible interface. It is specified by address A[2:0] = 00X, address 000 being the data register and address 001 being the status/control registers. Besides the standard two status bits of the MPU-401, two additional bits are provided to expand the MPU-401 protocol.

The auxiliary interface is allocated the address range A[2:0] = 1XX. It is normally used to implement a game-compatible interface.

Address A[2:0] = 010 specifies a 16-bit I/O port. It is mainly used for burst audio transfers to/from the PC using very efficient PC instructions such as REP OUTSW or REP INSW, which operate at maximum ISA bus bandwidth. This port may also be used for fast program or sound bank uploads.

Memory Management Unit (MMU)

The Memory Management Unit (MMU) block allows external ROM and/or RAM memory resources to be shared between the synthesis/DSP and the P16 control processor. This allows a single device (i.e., DRAM) to serve as sample memory storage/delay lines for the synthesis/DSP and as program storage/data memory for the P16 control processor.

Absolute Maximum Ratings

Table 2. Absolute Maximum Ratings

Ambient Temperature (Power Applied).....	-40°C to + 85°C	<p>*NOTICE: Stresses beyond those listed under “Absolute Maximum Ratings” may cause permanent damage to the device. This is a stress rating only and functional operation of the device at these or any other conditions beyond those indicated in the operational sections of this specification is not implied. Exposure to absolute maximum rating conditions for extended periods may affect device reliability.</p>
Storage Temperature.....	-65°C to + 150°C	
Voltage on any pin (except X1).....	-0.5V to $V_{CC} + 0.5V$	
Voltage on X1 pin	-0.5V to $V_{C3} + 0.5V$	
V_{CC} Supply Voltage.....	-0.5V to + 6.5V	
V_{C3} Supply Voltage.....	-0.5V to +4.5V	
Maximum I_{OL} per I/O pin..... (except D[15:0], IRQ, I/O ready)	10mA	
Maximum I_{OL} D[15:0], IRQ, I/O ready.....	30mA	

Note: All voltages with respect to 0V, GND = 0V

Recommended Operating Conditions

Table 3. Recommended Operating Conditions

Symbol	Parameter/Condition	Min	Typ	Max	Unit
V_{CC}	Supply Voltage ⁽¹⁾	3	3.3/5.0	5.5	V
V_{C3}	Supply Voltage	3	3.3	4.5	V
T_A	Operating Ambient Temperature	0		70	°C

Note: When using 3.3V supply, care must be taken that voltage applied on any pin does not exceed $V_{CC} + 0.5V$.

DC Characteristics

Table 4. DC Characteristics ($T_A = 25^\circ\text{C}$, $V_{C3} = 3.3\text{V} \pm 10\%$)

Symbol	Parameter/Condition	V_{CC}	Min	Typ	Max	Unit
V_{IL}	Low-level Input Voltage	3.3	-0.5		1.0	V
		5.0	-0.5		1.7	V
V_{IH}	High-level Input Voltage	3.3	2.3		3.8	V
		5.0	3.3		5.5	V
V_{OL}	Low-level Output Voltage D[15:0], IRQ, I/O ready: $I_{OL} = -24\text{ mA}$ others except LFT: $I_{OL} = -3.2\text{ mA}$	3.3			0.45	V
		5.0			0.45	V
V_{OH}	High-level Output Voltage D[15:0], IRQ, I/O ready: $I_{OH} = 10\text{ mA}$ others except LFT: $I_{OH} = 0.8\text{ mA}$	3.3	2.8			V
		5.0	4.5			V
I_{CC}	Power Supply Current (crystal freq. = 12 MHz)	3.3		70	90	mA
		5.0		25	35	mA
	Power-down Supply Current			70	100	μA

Timings

All timing conditions: $V_{CC} = 5V$, $V_{C3} = 3.3V$, $T_A = 25^\circ C$, signals I/O READY, $\overline{I/O\ CS16}$, D[15:0] with 220Ω pull-up, 30 pF capacitance, signal IRQ with 470Ω pull-down, 30 pF capacitance, all other outputs except X2 and LFT load capacitance = 30 pF.

All timings refer to t_{CK} , which is the internal master clock period.

The internal master clock frequency is four times the frequency at pin X1. Therefore, $t_{CK} = t_{XTAL}/4$.

The sampling rate is given by $1/(t_{CK} \times 1024)$. The maximum crystal frequency/clock frequency at X1 is 12.288 MHz (48 kHz sampling rate).

Crystal Frequency Selection Considerations

There is a trade-off between the crystal frequency and the support of widely available external DRAM/ROM components. Table 5 allows selection of the best fit for a given application.

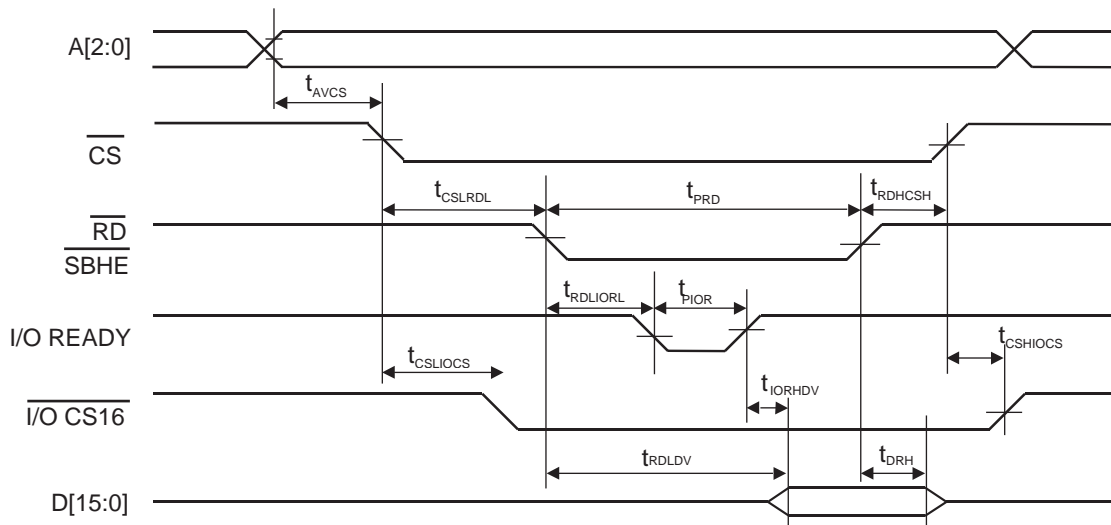
Table 5. Crystal Frequency Selection Considerations

Sample Rate (kHz)	Crystal (MHz)	t_{CK} (ns)	ROM 1A (ns)	DRAM t_{RAC} (ns)	DRAM t_{RC} (ns)	Comment
48	12.288	20.35	92	72	92	Maximum Frequency
44.1	11.2896	22.14	101	80	101	Recommended for Current Designs
37.5	9.60	26.04	120	95	120	
31.25	8.00	31.25	146	116	146	

Using a 11.2896 MHz crystal allows the use of widely available DRAMs (-6 type) with a cycle time (t_{RC}) of 100 ns and an \overline{RAS} access time of 60 ns, as well as widely available ROMs with 100 ns access time, while providing state-of-the-art 44.1 kHz sampling rate.

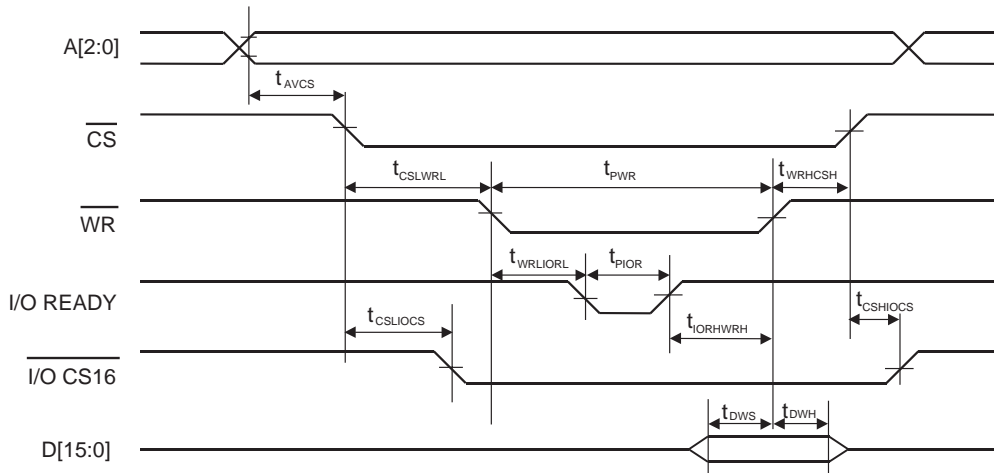
PC Host Interface Timing

Figure 5. PC Host Interface Timing Diagram



Note: D[15:8] valid only if A[2:1] = 10 and $\overline{SBHE} = 0$.

Figure 6. PC Host Interface Write Cycle



Note: D8 - D15 valid only if A2A1 = 10.

Table 6. PC Host Interface Timing Parameters

Symbol	Parameter	Min	Typ	Max	Unit
t_{AVCS}	Address Valid to Chip Select Low	0			ns
t_{CSLRDL}	Chip Select Low to \overline{RD} or \overline{SBHE} Low ⁽¹⁾	5			ns
t_{RDHCSH}	\overline{RD} or \overline{SBHE} High to \overline{CS} High	5			ns
t_{PRD}	\overline{RD} or \overline{SBHE} Pulse Width	50			ns
t_{RDLVD}	Data Out Valid from \overline{RD} or \overline{SBHE} ⁽²⁾			20	ns
t_{DRH}	Data Out Hold from \overline{RD} or \overline{SBHE}	5		10	ns
$t_{RDLIORL}$	I/O Ready Low from \overline{RD} or \overline{SBHE} ⁽³⁾	0		10	ns
t_{PIOR}	I/O Ready Pulse Width ⁽³⁾			128	t_{CK}
t_{IORHDV}	I/O Ready Rising to Data Out Valid ⁽³⁾			0	ns
$t_{CSLIOCS}$	$\overline{I/O CS16}$ Low from \overline{CS} Low ⁽⁴⁾	0		20	ns
$t_{CSHIOCS}$	$\overline{I/O CS16}$ High from \overline{CS} High ⁽⁴⁾	0		20	ns
$t_{CSLRWRL}$	Chip Select Low to \overline{WR} Low ⁽³⁾	5			ns
t_{WRHCSH}	\overline{WR} High to \overline{CS} High	5			ns
t_{PWR}	\overline{WR} Pulse Width	50			
$t_{WRLIORL}$	I/O Ready Low from \overline{WR} Low ⁽³⁾			128	t_{CK}
$t_{IORHWRH}$	I/O Ready High to \overline{WR} High ⁽³⁾	5			ns
t_{DWS}	Write Data Setup Time	10			ns
t_{DWH}	Write Data Hold Time	0			ns

- Notes:
- \overline{SBHE} is normally not used (grounded).
 - When data is already loaded into internal ATSAM9707 output register. In this case I/O READY will stay high during the read cycle.
 - I/O READY will go low only if the data is not ready to be loaded into/read from internal ATSAM9707 register. 128 t_{CK} corresponds to a single worst-case situation. At $f_{CK} = 11.2896$ MHz, I/O READY is likely never to go low when using standard ISA bus timing.
 - $\overline{I/O CS16}$ is asserted low by ATSAM9707 if A[2:1] = 10 to indicate fast 16-bit ISA bus transfer to the PC.

External DRAM Timing

Figure 7. External DRAM Read Cycle

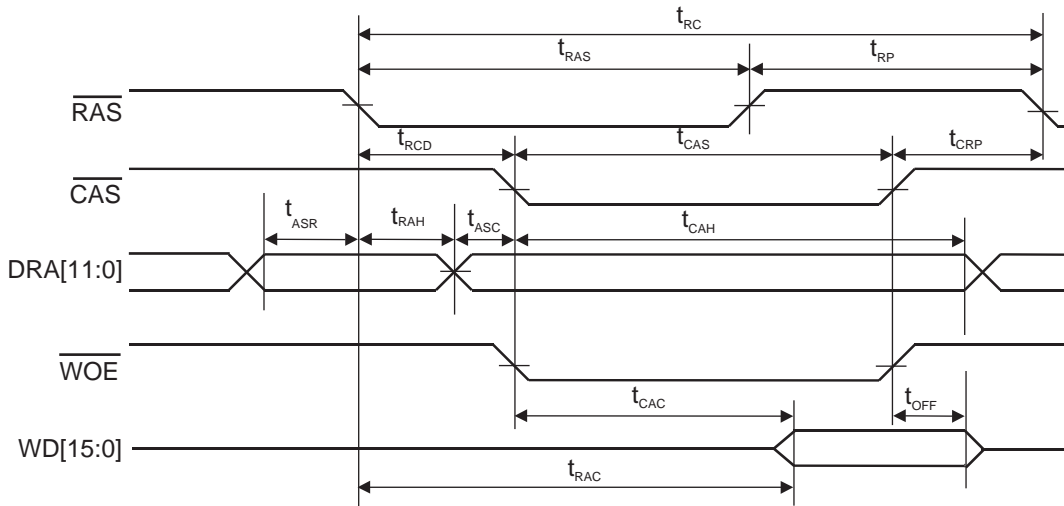


Figure 8. External DRAM Write Cycle (Early Write)

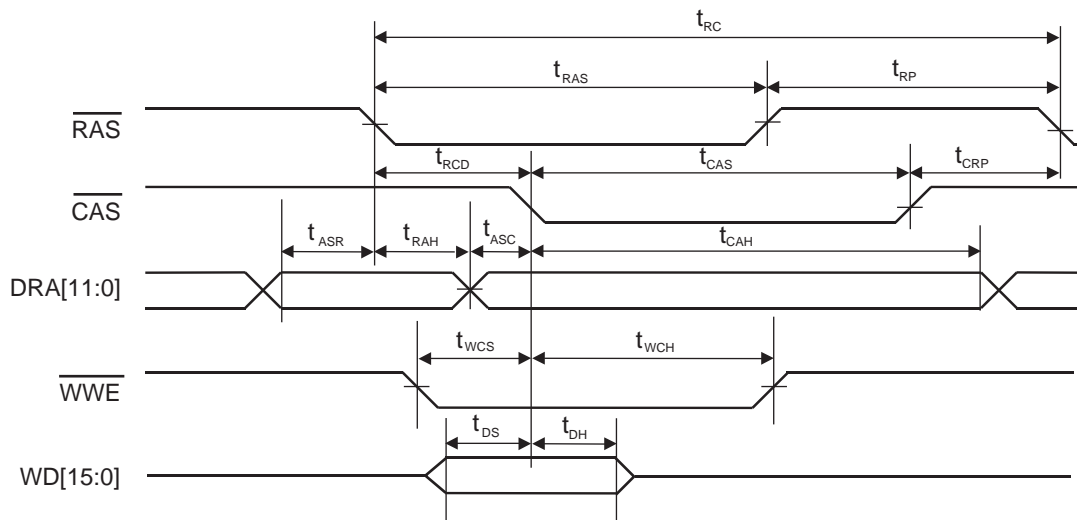


Figure 9. External DRAM Refresh Cycle (\overline{RAS} Only)

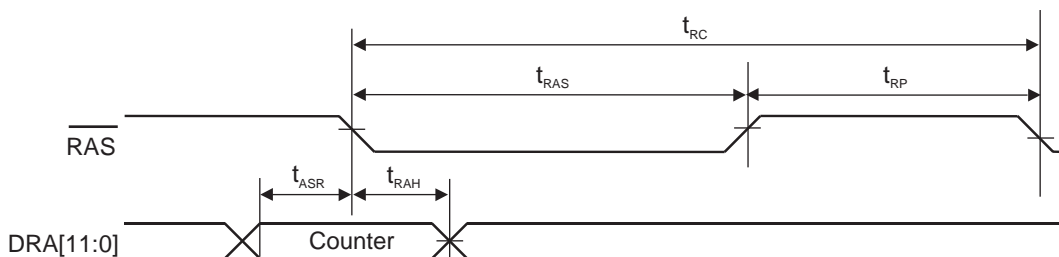


Table 7. External DRAM Timing Parameters

Symbol	Parameter	Min	Typ	Max	Unit
t_{RC}	Read/Write/Refresh Cycle	$5 \times t_{CK} - 5$		$6 \times t_{CK} + 5$	ns
t_{RAC}	Access Time from \overline{RAS}			$4 \times t_{CK} - 5$	ns
t_{CAC}	Access Time from \overline{CAS}			$4 \times t_{CK} - 5$	ns
t_{OFF}	\overline{CAS} High to Output High-Z			$2 \times t_{CK} - 5$	ns
t_{RP}	\overline{RAS} Precharge Time	$2 \times t_{CK}$			ns
t_{RAS}	\overline{RAS} Pulse Width	$3 \times t_{CK} - 5$			ns
t_{CAS}	\overline{CAS} Pulse Width	$3 \times t_{CK} - 5$			ns
t_{RCD}	\overline{RAS} to \overline{CAS} Delay Time	$t_{CK} - 5$		$t_{CK} + 5$	ns
t_{CRP}	\overline{CAS} to \overline{RAS} Precharge Time	$t_{CK} - 5$			ns
t_{ASR}	Row Address Setup Time	$t_{CK} - 5$			ns
t_{RAH}	Row Address Hold Time	$t_{CK}/2$			ns
t_{ASC}	Column Address Setup Time	$t_{CK}/2 - 5$			ns
t_{CAH}	Column Address Hold Time	$3 \times t_{CK}$			ns
t_{WCS}	Write Command Setup Time		t_{CK}		ns
t_{WCH}	Write Command Hold Time		$4 \times t_{CK}$		ns
t_{DS}	Write Data Setup Time		t_{CK}		ns
t_{DH}	Write Data Hold Time		$3 \times t_{CK}$		ns
–	Refresh Counter Average Period (12-bit Counter)		$512 \times t_{CK}$		ns

- Notes:
1. The multiplexed \overline{CAS} , \overline{RAS} addressing can support memory DRAM chips up to 16 Mb as long as the number of row address lines and column address lines are identical. For example, device type 416C1200 is supported because it is a 1M x 16 organization with 10-bit row and 10-bit column. Device type 416C1000 is not supported because it is a 1M x 16 organization with 12-bit row and 8-bit column.
 2. The signal \overline{WOE} is normally not used for DRAM connection. It is represented only for reference purposes.
 3. As \overline{RAS} only counter refresh method is employed, several banks of DRAMs can be connected using simple external \overline{CAS} decoding. Linear address lines (WAx) can be used to select between DRAM banks. For example, a 1M x 32 SIMM module may be connected as two 1M x 16 banks, with $\overline{CAS0}$ and $\overline{CAS1}$ selections issued from \overline{CAS} and WA20.
 4. During a whole DRAM cycle (from \overline{RAS} low to \overline{CAS} rising), $\overline{WCS0}$ is asserted low.
 5. The equivalence between multiplexed DRAM address lines DRA[11:0] and the corresponding linear addressing W[23:0] is as follows:

	DRA11	DRA10	DRA9	DRA8	DRA7	DRA6	DRA5	DRA4	DRA3	DRA2	DRA1	DRA0
\overline{RAS} Time	WA22	WA20	WA18	WA8	WA7	WA6	WA5	WA4	WA3	WA2	WA1	WA0
\overline{CAS} Time	WA23	WA21	WA19	WA17	WA16	WA15	WA14	WA13	WA12	WA11	WA10	WA9

6. To save DRAM power consumption, \overline{CAS} and \overline{RAS} are cycled only when necessary. Therefore, depending on firmware loaded, total board power consumption may increase with synthesis processing traffic.

External ROM Cycle Timing

Figure 10. External ROM Read Cycle

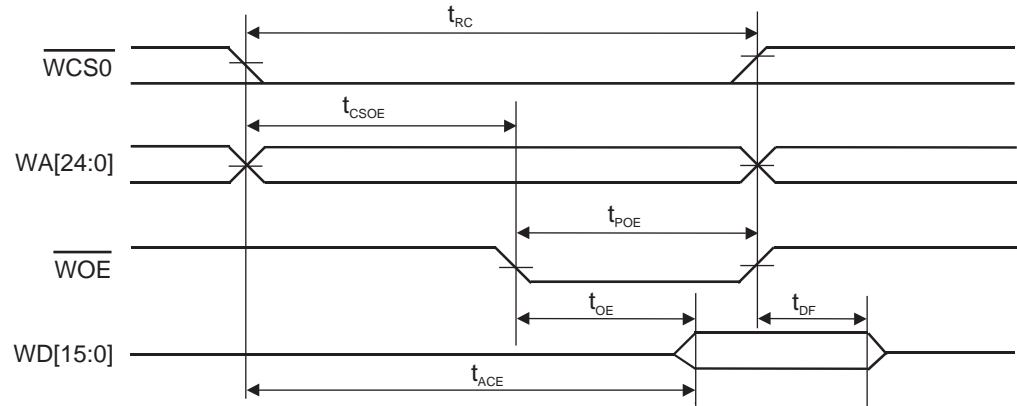


Table 8. External ROM Cycle Timing Parameters

Symbol	Parameter	Min	Typ	Max	Unit
t_{RC}	Read Cycle Time	$5 \times t_{CK}$		$6 \times t_{CK}$	ns
t_{CSOE}	Chip Select Low/Address Valid to \overline{WOE} Low	$2 \times t_{CK} - 5$		$3 \times t_{CK} + 5$	ns
t_{POE}	Output Enable Pulse Width		$3 \times t_{CK}$		ns
t_{ACE}	Chip Select/Address Access Time	$5 \times t_{CK} - 5$			ns
t_{OE}	Output Enable Access Time	$3 \times t_{CK} - 5$			ns
t_{DF}	Chip Select or \overline{WOE} High to Input Data High-Z	0		$2 \times t_{CK} - 5$	ns

External RAM
Timing

Figure 11. 16-bit SRAM Read Cycle

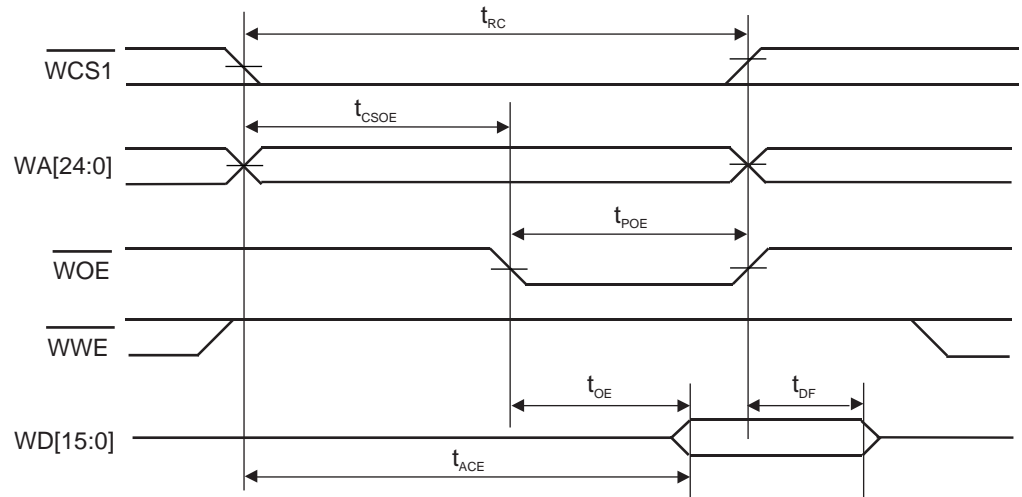


Figure 12. 16-bit SRAM Write Cycle

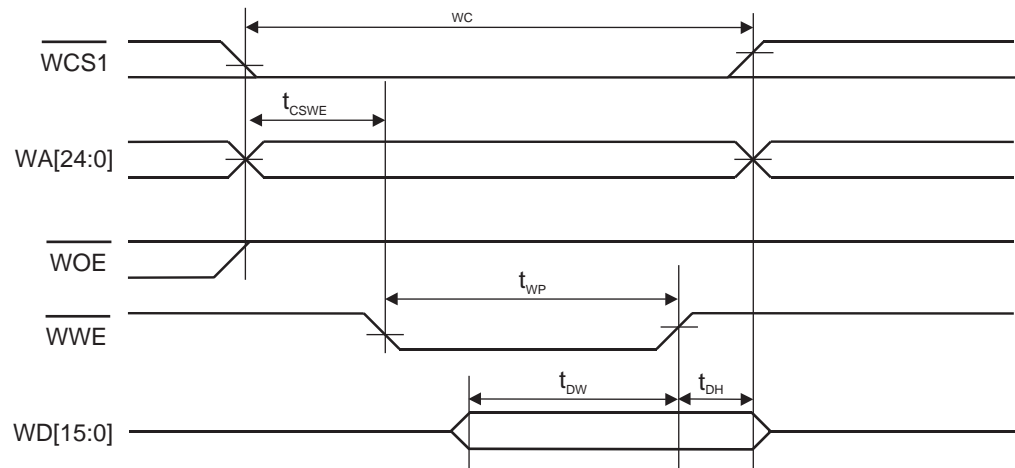


Table 9. 16-bit SRAM Timing Parameters

Symbol	Parameter	Min	Typ	Max	Unit
t_{RC}	Read Cycle Time	$5 \times t_{CK}$		$6 \times t_{CK}$	ns
t_{CSOE}	Chip Select Low/Address Valid to \overline{WOE} Low	$2 \times t_{CK} - 5$		$3 \times t_{CK} + 5$	ns
t_{POE}	Output Enable Pulse Width		$3 \times t_{CK}$		ns
t_{ACE}	Chip Select/Address Access Time	$5 \times t_{CK} - 5$			ns
t_{OE}	Output Enable Access Time	$3 \times t_{CK} - 5$			ns
t_{DF}	Chip Select or \overline{WOE} High to Input Data High-Z	0		$2 \times t_{CK} - 5$	ns
t_{WC}	Write Cycle Time	$5 \times t_{CK}$		$6 \times t_{CK}$	ns
t_{CSWE}	Write Enable Low from \overline{CS} or Address or \overline{WOE}	$2 \times t_{CK} - 10$			ns
t_{WP}	Write Pulse Width		$4 \times t_{CK}$		ns
t_{DW}	Data Out Setup Time	$4 \times t_{CK} - 10$			ns
t_{DH}	Data Out Hold Time	10			ns

Figure 13. 8-bit SRAM Read Cycle

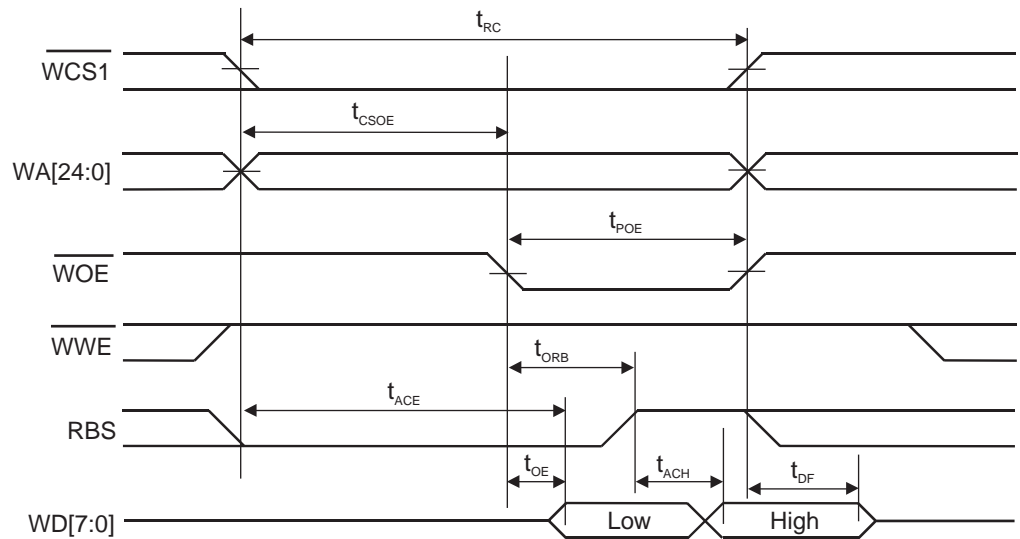


Figure 14. 8-bit SRAM Write Cycle

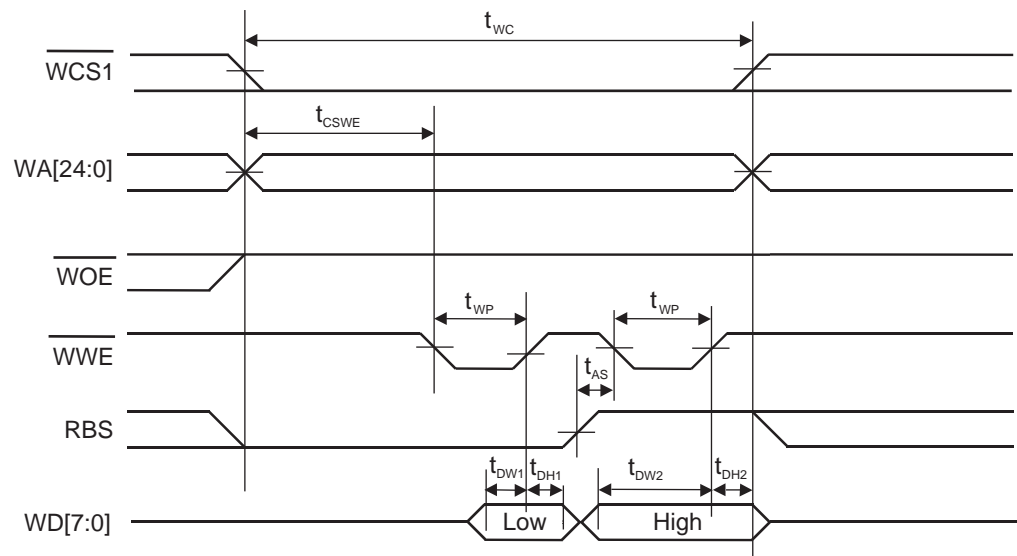


Table 10. 8-bit SRAM Timing Parameters

Symbol	Parameter	Min	Typ	Max	Unit
t_{RC}	Word Read Cycle Time	$5 \times t_{CK}$		$6 \times t_{CK}$	ns
t_{CSOE}	Chip Select Low/Address Valid to \overline{WOE} Low	$2 \times t_{CK} - 5$		$3 \times t_{CK} + 5$	ns
t_{POE}	Output Enable Pulse Width		$3 \times t_{CK}$		ns
t_{ACE}	Chip Select/Address Low Byte Access Time	$3 \times t_{CK} - 5$			ns
t_{OE}	Output Enable Low Byte Access Time	$t_{CK} - 5$			ns
t_{ORB}	Output Enable Low to Byte Select High		t_{CK}		ns
t_{ACH}	Byte Select High Byte Access Time	$2 \times t_{CK} - 5$			ns
t_{DF}	Chip Select or \overline{WOE} High to Input Data High-Z	0		$2 \times t_{CK} - 5$	ns
t_{WC}	Word Write Cycle Time	$5 \times t_{CK}$		$6 \times t_{CK}$	ns
t_{CSWE}	First \overline{WWE} Low from \overline{CS} or Address or \overline{WOE}	$2 \times t_{CK} - 10$			ns
t_{WP}	Write (Low and High Byte) Pulse Width	$1.5 \times t_{CK} - 5$			ns
t_{DW1}	Data Out Low Byte Setup Time	$1.5 \times t_{CK} - 10$			ns
t_{DH1}	Data Out Low Byte Hold Time	$0.5 \times t_{CK} + 10$			ns
t_{AS}	RBS High to Second Write Pulse	$0.5 \times t_{CK} - 5$			ns
t_{DW2}	Data Out High Byte Setup Time	$2 \times t_{CK} - 10$			ns
t_{DH2}	Data Out High Byte Hold Time	10			ns

Digital Audio Timing

Figure 15. Digital Audio Timing

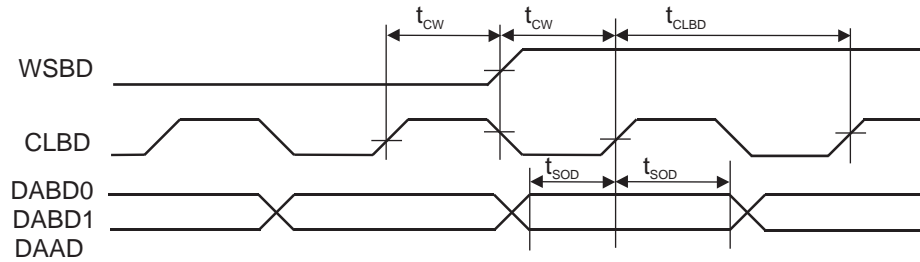
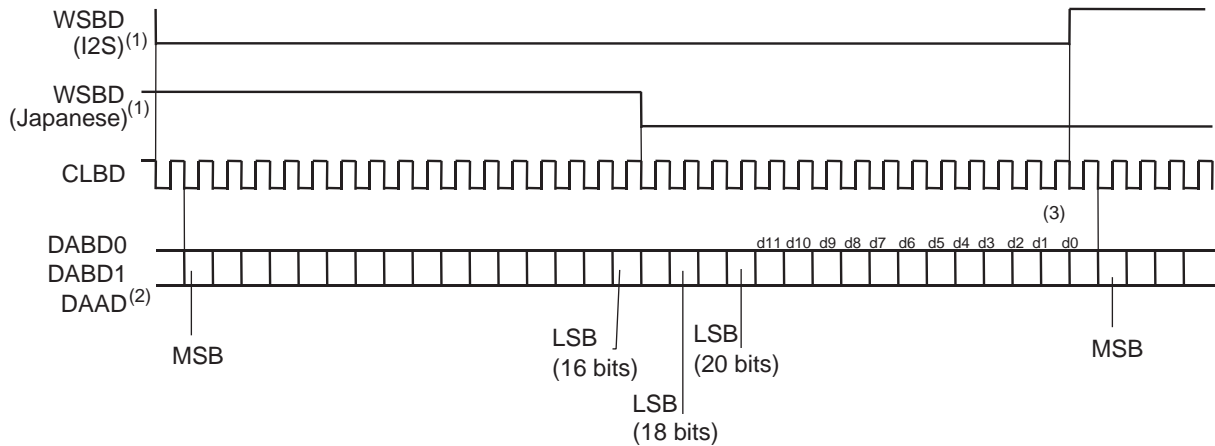


Table 11. Digital Audio Timing Parameters

Symbol	Parameter	Min	Typ	Max	Unit
t_{WC}	CLBD Rising to WSBD Change	$8 \times t_{CK} - 10$			ns
t_{SOD}	DABD Valid before/after CLBD Rising	$8 \times t_{CK} - 10$			ns
t_{CLBD}	CLBD Cycle Time		$16 \times t_{CK}$		ns

Figure 16. Digital Audio Frame Format



- Notes:
1. Selection between I2S and Japanese format is a firmware option.
 2. DAAD is 16 bits only.
 3. When connected with codecs such as CS4216 or CS4218, D[11:0] can be used to hold independent auxiliary information on left and right words. Refer to corresponding codec datasheets for details.

Reset and Power-down

During power-up, the $\overline{\text{RESET}}$ input should be held low until the crystal oscillator and PLL are stabilized, which can take about 20 ms. The $\overline{\text{RESET}}$ signal is normally derived from the PC master reset. However, a typical RC/diode power-up network can also be used for some applications.

After the low-to-high transition of $\overline{\text{RESET}}$, the following occurs:

- The synthesis/DSP enters an idle state, executing $\overline{\text{RAS}}$ only refresh cycles.
- The RUN output is set to zero.
- If BOOT is low, then P16 program execution starts from address 0100H in ROM space ($\overline{\text{WCS0}}$ low).
- If BOOT is high, then P16 program execution starts from address 0000H in internal bootstrap ROM space. The internal bootstrap expects to receive 256 words from the 16-bit burst transfer port, which will be stored from 0100H to 01FFH into the external DRAM space. The bootstrap then resumes control at address 0100H.

If $\overline{\text{PDWN}}$ is asserted low, then all I/Os and outputs will be floated and the crystal oscillator and PLL will be stopped. The chip enters a deep power-down sleep mode. To exit power-down, $\overline{\text{PDWN}}$ has to be asserted high, then $\overline{\text{RESET}}$ applied.

Recommended Board Layout

Like all HCMOS high-integration ICs, the following simple rules of board layout are mandatory for reliable chip operation:

- GND, V_{CC} , V_{C3} distribution, decouplings

All GND, V_{CC} , V_{C3} pins should be connected. GND and V_{CC} planes are strongly recommended below the ATSAM9707. The board GND and V_{CC} distribution should be in grid form. If 3.3V supply is not available, then V_{C3} can be derived from V_{CC} by two 1N4148 diodes in series.

Recommended decoupling is 0.1 μF at each corner of the IC with an additional 10 μF decoupling close to the crystal. V_{C3} requires a single 0.1 μF decoupling close to the IC.

- Crystal, LFT

The paths between the crystal, the crystal compensation capacitors, the LFT filter R-C-R and the ATSAM9707 should be short and shielded. The ground return from the compensation capacitors and LFT filter should be the GND plane from ATSAM9707.

- Buses

Parallel layout from D[15:0] and DRA[11:0]/WD[15:0] should be avoided. The D[15:0] bus is an asynchronous, high-transient, current-type bus. Even on short distances, it can induce pulses on DRA[11:0]/WD[15:0], which can corrupt address and/or data on these buses.

A ground plane should be implemented below the D[15:0] bus, which connects to the PC-ISA connector and to the ATSAM9707 GND.

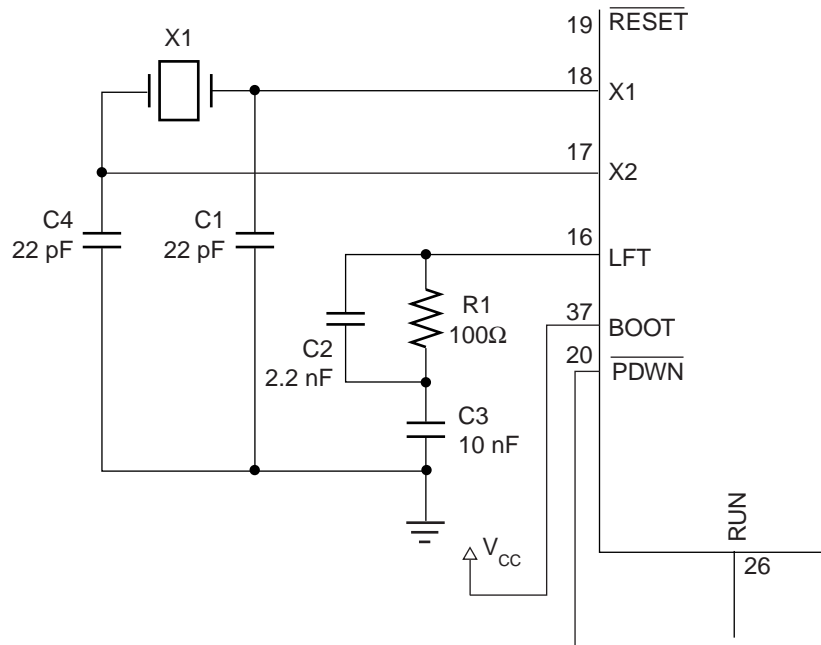
A ground plane should be implemented below the DRA[11:0]/WD[15:0] bus, which connects to the DRAM SIMM grounds and to the ATSAM9707.

- Analog section

A specific AGND ground plane that connects by a single trace to the GND ground should be provided. No digital signals should cross the AGND plane. Refer to the codec vendor-recommended layout for correct implementation of the analog section.

Recommended Crystal Compensation and LFT Filter

Figure 17. Recommended Crystal Compensation and LFT Filter Description



Mechanical Dimensions

Figure 18. 144-lead Thin Plastic Lead Quad Flat Pack

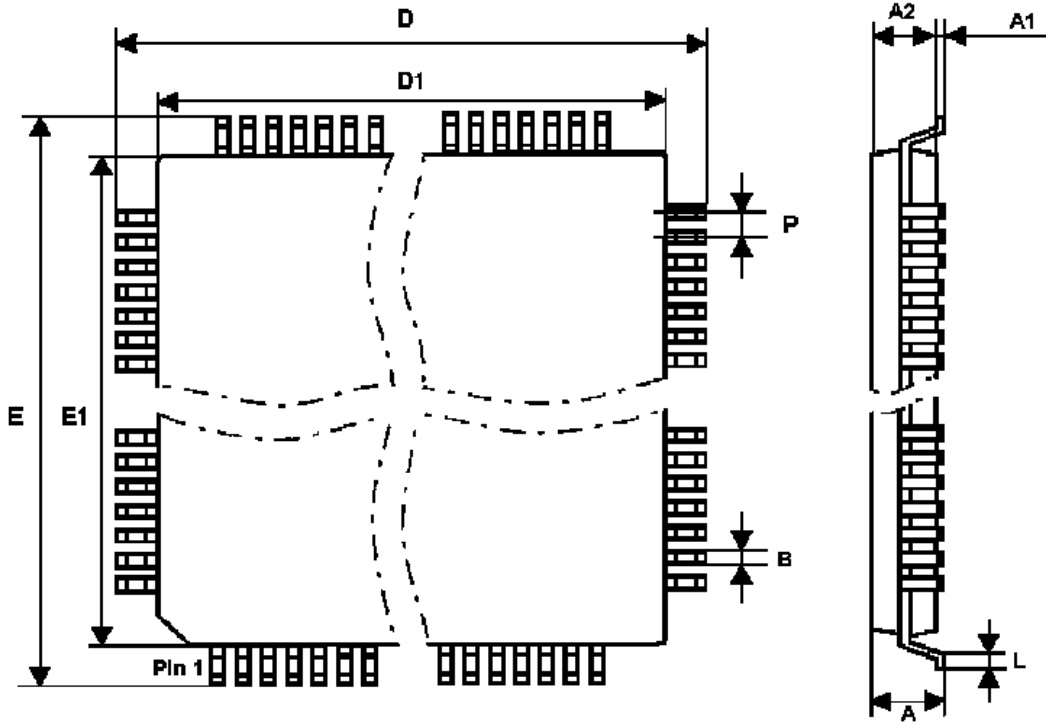


Table 12. Package Dimensions (in mm)

Dimension	Min	Typ	Max
A	1.40	1.50	1.60
A1	0.05	0.10	0.15
A2	1.35	1.40	1.45
D	21.90	22.00	22.10
D1	19.90	20.00	20.10
E	21.90	22.00	22.10
E1	19.90	20.00	20.10
L	0.45	0.60	0.75
P		0.50	
B	0.17	0.22	0.27



Atmel Headquarters

Corporate Headquarters

2325 Orchard Parkway
San Jose, CA 95131
TEL 1(408) 441-0311
FAX 1(408) 487-2600

Europe

Atmel Sarl
Route des Arsenaux 41
Case Postale 80
CH-1705 Fribourg
Switzerland
TEL (41) 26-426-5555
FAX (41) 26-426-5500

Asia

Room 1219
Chinachem Golden Plaza
77 Mody Road Tsimhatsui
East Kowloon
Hong Kong
TEL (852) 2721-9778
FAX (852) 2722-1369

Japan

9F, Tonetsu Shinkawa Bldg.
1-24-8 Shinkawa
Chuo-ku, Tokyo 104-0033
Japan
TEL (81) 3-3523-3551
FAX (81) 3-3523-7581

Atmel Operations

Memory

2325 Orchard Parkway
San Jose, CA 95131
TEL 1(408) 441-0311
FAX 1(408) 436-4314

Microcontrollers

2325 Orchard Parkway
San Jose, CA 95131
TEL 1(408) 441-0311
FAX 1(408) 436-4314

La Chantrerie
BP 70602
44306 Nantes Cedex 3, France
TEL (33) 2-40-18-18-18
FAX (33) 2-40-18-19-60

ASIC/ASSP/Smart Cards

Zone Industrielle
13106 Rousset Cedex, France
TEL (33) 4-42-53-60-00
FAX (33) 4-42-53-60-01

1150 East Cheyenne Mtn. Blvd.
Colorado Springs, CO 80906
TEL 1(719) 576-3300
FAX 1(719) 540-1759

Scottish Enterprise Technology Park
Maxwell Building
East Kilbride G75 0QR, Scotland
TEL (44) 1355-803-000
FAX (44) 1355-242-743

RF/Automotive

Theresienstrasse 2
Postfach 3535
74025 Heilbronn, Germany
TEL (49) 71-31-67-0
FAX (49) 71-31-67-2340

1150 East Cheyenne Mtn. Blvd.
Colorado Springs, CO 80906
TEL 1(719) 576-3300
FAX 1(719) 540-1759

Biometrics/Imaging/Hi-Rel MPU/ High Speed Converters/RF Datacom

Avenue de Rochepleine
BP 123
38521 Saint-Egreve Cedex, France
TEL (33) 4-76-58-30-00
FAX (33) 4-76-58-34-80

e-mail

literature@atmel.com

Web Site

<http://www.atmel.com>

© Atmel Corporation 2002.

Atmel Corporation makes no warranty for the use of its products, other than those expressly contained in the Company's standard warranty which is detailed in Atmel's Terms and Conditions located on the Company's web site. The Company assumes no responsibility for any errors which may appear in this document, reserves the right to change devices or specifications detailed herein at any time without notice, and does not make any commitment to update the information contained herein. No licenses to patents or other intellectual property of Atmel are granted by the Company in connection with the sale of Atmel products, expressly or by implication. Atmel's products are not authorized for use as critical components in life support devices or systems.

ATMEL® and Dream® are the registered trademarks of Atmel.

Directsound™ and Direct3Dsound™ are the trademarks of Microsoft Corporation.

Other terms and product names may be the trademarks of others.



Printed on recycled paper.