

1 INTRODUCTION

1.1 FEATURES

- **Battery Fuel Gauge for 1-Series Li-Ion Applications**
- **Resides on System Main Board**
 - Works With Embedded or Removable Battery Packs
- **Uses *PACK+*, *PACK-*, and *T* Battery Terminals**
- **Microcontroller Peripheral Provides:**
 - Accurate Battery Fuel Gauging
 - Internal Temperature Sensor for Battery Temperature Reporting
 - **Battery Low Interrupt Warning**
 - **Battery Insertion Indicator**
 - **Configurable Level of State of Charge (SOC) Interrupts**
 - **State of Health Indicator**
 - **96 Bytes of Non-Volatile Scratch-Pad FLASH**
- **Battery Fuel Gauge Based on Patented Impedance Track™ Technology**
 - Models the Battery Discharge Curve for Accurate Time-to-Empty Predictions
 - Automatically Adjusts for Battery Aging, Battery Self-Discharge, and Temperature/Rate Inefficiencies
 - **Low-Value Sense Resistor (10 mΩ or Less)**
- **400-kHz I²C™ Interface for Connection to System Microcontroller Port**
- **In a 12-Pin NanoFree™ (CSP) Packaging**

1.2 APPLICATIONS

- **Smartphones**
- **PDA's**
- **Digital Still and Video Cameras**
- **Handheld Terminals**
- **MP3 or Multimedia Players**

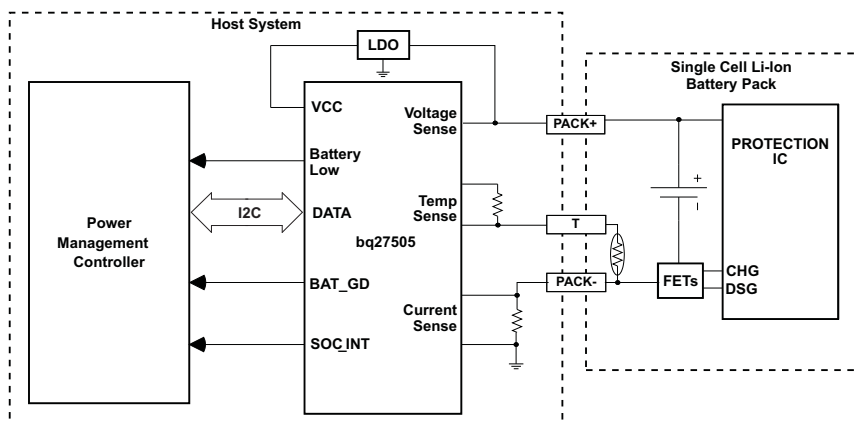
1.3 DESCRIPTION

The Texas Instruments bq27505 system-side Li-Ion battery fuel gauge is a microcontroller peripheral that provides fuel gauging for single-cell Li-Ion battery packs. The device requires little system microcontroller firmware development. The bq27505 resides on the system's main board and manages an embedded battery (non-removable) or a removable battery pack.

The bq27505 uses the patented Impedance Track™ algorithm for fuel gauging, and provides information such as remaining battery capacity (mAh), state-of-charge (%), run-time to empty (min), battery voltage (mV), temperature (°C) and state of health (%).

Battery fuel gauging with the bq27505 requires only *PACK+* (*P+*), *PACK-* (*P-*), and Thermistor (*T*) connections to a removable battery pack or embedded battery circuit. The CSP option is a 12-ball package in the dimensions of 2,43 mm × 1,96 mm with 0,5 mm lead pitch. It is ideal for space constrained applications.

TYPICAL APPLICATION



Please be aware that an important notice concerning availability, standard warranty, and use in critical applications of Texas Instruments semiconductor products and disclaimers thereto appears at the end of this document.

Impedance Track, NanoFree are trademarks of Texas Instruments.
I²C is a trademark of Philips Electronics.

System-Side Impedance Track™ Fuel Gauge

SLUS924–APRIL 2009

www.ti.com

⚠ These devices have limited built-in ESD protection. The leads should be shorted together or the device placed in conductive foam during storage or handling to prevent electrostatic damage to the MOS gates.

Contents

| | | | |
|--|-----------|---|-----------|
| 1 INTRODUCTION | 1 | 4.3 MANUFACTURER INFORMATION BLOCKS | 20 |
| 1.1 FEATURES | 1 | 4.4 ACCESS MODES | 21 |
| 1.2 APPLICATIONS | 1 | 4.5 SEALING/UNSEALING DATA FLASH | 21 |
| 1.3 DESCRIPTION | 1 | 4.6 DATA FLASH SUMMARY | 21 |
| 2 DEVICE INFORMATION | 3 | 5 FUNCTIONAL DESCRIPTION | 23 |
| 2.1 AVAILABLE OPTIONS | 3 | 5.1 FUEL GAUGING | 23 |
| 2.2 DISSIPATION RATINGS | 3 | 5.2 IMPEDANCE TRACK™ VARIABLES | 24 |
| 2.1 PIN ASSIGNMENT | 4 | 5.3 DETAILED PIN DESCRIPTION | 26 |
| 3 ELECTRICAL SPECIFICATIONS | 5 | 5.4 TEMPERATURE MEASUREMENT | 30 |
| 3.1 ABSOLUTE MAXIMUM RATINGS | 5 | 5.5 OVERTEMPERATURE INDICATION | 30 |
| 3.2 RECOMMENDED OPERATING CONDITIONS | 5 | 5.6 CHARGING AND CHARGE-TERMINATION INDICATION | 30 |
| 3.3 POWER-ON RESET | 6 | 5.7 POWER MODES | 31 |
| 3.4 INTERNAL TEMPERATURE SENSOR CHARACTERISTICS | 6 | 5.8 POWER CONTROL | 32 |
| 3.5 HIGH-FREQUENCY OSCILLATOR | 6 | 5.9 AUTOCALIBRATION | 33 |
| 3.6 LOW-FREQUENCY OSCILLATOR | 6 | 6 APPLICATION-SPECIFIC INFORMATION | 33 |
| 3.7 INTEGRATING ADC (COULOMB COUNTER) CHARACTERISTICS | 6 | 6.1 BATTERY PROFILE STORAGE AND SELECTION | 33 |
| 3.8 ADC (TEMPERATURE AND CELL MEASUREMENT) CHARACTERISTICS | 7 | 6.2 APPLICATION-SPECIFIC FLOW AND CONTROL | 34 |
| 3.9 DATA FLASH MEMORY CHARACTERISTICS | 7 | 7 COMMUNICATIONS | 35 |
| 3.10 I ² C-COMPATIBLE INTERFACE COMMUNICATION TIMING CHARACTERISTICS | 8 | 7.1 I ² C INTERFACE | 35 |
| 4 GENERAL DESCRIPTION | 9 | 7.2 I ² C Time Out | 36 |
| 4.1 DATA COMMANDS | 10 | 7.3 I ² C Command Waiting Time | 36 |
| 4.2 DATA FLASH INTERFACE | 19 | 8 REFERENCE SCHEMATICS | 37 |
| | | 8.1 SCHEMATIC | 37 |

2 DEVICE INFORMATION

2.1 AVAILABLE OPTIONS

| PART NUMBER | FIRMWARE VERSION | PACKAGE ⁽¹⁾ | T _A | COMMUNICATION FORMAT | TAPE and REEL QUANTITY |
|----------------|------------------|------------------------|----------------|----------------------|------------------------|
| bq27505YZGR-J2 | 2.15 | CSP-12 | –40°C to 85°C | I ² C | 3000 |
| bq27505YZGT-J2 | | | | | 250 |

- (1) For the most current package and ordering information, see the Package Option Addendum at the end of this document, or see the TI website at www.ti.com.

2.2 DISSIPATION RATINGS

| PACKAGE | THERMAL | RESISTANCE ⁽¹⁾⁽²⁾ | POWER RATING T _A = 25°C | DERATING FACTOR ABOVE ⁽¹⁾ ⁽²⁾ T _A = 25°C |
|---------|--------------------------|------------------------------|---------------------------------------|--|
| YZG | θ _{JA} = 89°C/W | θ _{JB} = 35°C/W | 1.1 W | 12 mW/°C |

- (1) Measured with high-K board.
 (2) Maximum power dissipation is a function of T_{J(max)}, θ_{JA} and T_A. The maximum allowable power dissipation at any allowable ambient temperature is PD = (T_{J(max)} – T_A) / θ_{JA}.

System-Side Impedance Track™ Fuel Gauge

SLUS924–APRIL 2009

www.ti.com

2.1 PIN ASSIGNMENT

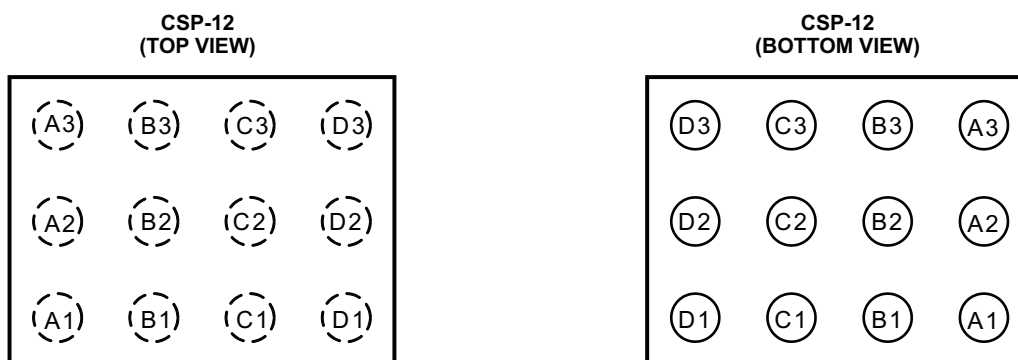


Table 2-1. PIN FUNCTIONS

| TERMINAL | | TYPE ⁽¹⁾ | DESCRIPTION |
|----------|-----|---------------------|---|
| NAME | NO. | | |
| SRP | A1 | IA | Analog input pin connected to the internal coulomb counter where SRP is nearest the PACK–connection. Connect to 5-mΩ to 20-mΩ sense resistor. |
| SRN | B1 | IA | Analog input pin connected to the internal coulomb counter where SRN is nearest the Vss connection. Connect to 5-mΩ to 20-mΩ sense resistor. |
| BAT_LOW | C1 | O | Battery Low output indicator. Active <i>high</i> by default, though polarity can be configured through the [BATL_POL] bit of Operation Configuration . Push-pull output. |
| Vss | D1 | P | Device ground |
| BAT_GD | A2 | O | Battery-good indicator. Active- <i>low</i> by default, though polarity can be configured through the [BATG_POL] bit of Operation Configuration . Push-pull output. |
| SOC_INT | B2 | I/O | SOC state interrupts output. Generate a pulse under the conditions specified by Table 5-5 . Open drain output. |
| BAT | C2 | I | Cell-voltage measurement input. ADC input. Recommend 4.8V maximum for conversion accuracy. |
| Vcc | D2 | P | Processor power input. Decouple with minimum 0.1μF ceramic capacitor. |
| SDA | A3 | I/O | Slave I ² C serial communications data line for communication with system (Master). Open-drain I/O. Use with 10kΩ pull-up resistor (typical). |
| SCL | B3 | I | Slave I ² C serial communications clock input line for communication with system (Master). Use with 10kΩ pull-up resistor (typical). |
| BI/TOUT | C3 | I/O | Battery-insertion detection input. Power pin for pack thermistor network. Thermistor-multiplexer control pin. Use with pull-up resistor >1MΩ (1.8 MΩ typical). |
| TS | D3 | IA | Pack thermistor voltage sense (use 103AT-type thermistor). ADC input |

(1) I/O = Digital input/output, IA = Analog input, P = Power connection

3 ELECTRICAL SPECIFICATIONS

3.1 ABSOLUTE MAXIMUM RATINGS

over operating free-air temperature range (unless otherwise noted)⁽¹⁾

| PARAMETER | | VALUE | UNIT |
|------------------|---|-------------------------------|------|
| V _{CC} | Supply voltage range | −0.3 to 2.75 | V |
| V _{I/O} | Open-drain I/O pins (SDA, SCL, SOC_INT) | −0.3 to 6 | V |
| V _{BAT} | BAT input pin | −0.3 to 6 | |
| V _I | Input voltage range to all other pins (BI/Tout, TS, SRP, SRN, BAT_GD) | −0.3 to V _{CC} + 0.3 | V |
| ESD | Human-body model (HBM), BAT pin | 1.5 | kV |
| | Human-body model (HBM), all other pins | 2 | |
| T _A | Operating free-air temperature range | −40 to 85 | °C |
| T _F | Functional temperature range | −40 to 100 | °C |
| T _{stg} | Storage temperature range | −65 to 150 | °C |

(1) Stresses beyond those listed under "absolute maximum ratings" may cause permanent damage to the device. These are stress ratings only, and functional operation of the device at these or any other conditions beyond those indicated under "recommended operating conditions" is not implied. Exposure to absolute-maximum-rated conditions for extended periods may affect device reliability.

3.2 RECOMMENDED OPERATING CONDITIONS

T_A = −40°C to 85°C; 2.4 V < V_{CC} < 2.6 V; Typical values at T_A = 25°C and V_{CC} = 2.5 V (unless otherwise noted)

| PARAMETER | | TEST CONDITIONS | MIN | TYP | MAX | UNIT |
|---------------------|--|---|-------------------------|-----|-----------------------|------|
| V _{CC} | Supply voltage | | 2.4 | 2.5 | 2.6 | V |
| I _{CC} | Normal operating-mode current ⁽¹⁾ | Fuel gauge in NORMAL mode. I _{LOAD} > Sleep Current | | 114 | | μA |
| I _{SLP+} | Sleep+ operating mode current ⁽¹⁾ | Fuel gauge in SLEEP+ mode. I _{LOAD} < Sleep Current | | 58 | | μA |
| I _{SLP} | Low-power storage-mode current ⁽¹⁾ | Fuel gauge in SLEEP mode. I _{LOAD} < Sleep Current | | 19 | | μA |
| I _{HIB} | Hibernate operating-mode current ⁽¹⁾ | Fuel gauge in HIBERNATE mode. I _{LOAD} < Hibernate Current | | 4 | | μA |
| V _{OL} | Output voltage, low (SCL, SDA, SOC_INT, BAT_LOW) | I _{OL} = 3 mA | | | 0.4 | V |
| V _{OH(PP)} | Output voltage, high (BAT_LOW, BAT_GD) | I _{OH} = −1 mA | V _{CC} − 0.5 | | | V |
| V _{OH(OD)} | Output voltage, high (SDA, SCL, SOC_INT) | External pullup resistor connected to V _{CC} | V _{CC} − 0.5 | | | V |
| V _{IL} | Input voltage, low (SDA, SCL) | | −0.3 | | 0.6 | V |
| | Input voltage, low (BI/TOUT) | BAT INSERT CHECK MODE active | −0.3 | | 0.6 | |
| V _{IH(OD)} | Input voltage, high (SDA, SCL) | | 1.2 | | 6 | |
| | Input voltage, high (BI/TOUT) | BAT INSERT CHECK MODE active | 1.2 | | V _{CC} + 0.3 | |
| V _{A1} | Input voltage range (TS) | | V _{SS} − 0.125 | | 2 | V |
| V _{A2} | Input voltage range (BAT) | | V _{SS} − 0.125 | | 5 | V |
| V _{A3} | Input voltage range (SRP, SRN) | | V _{SS} − 0.125 | | 0.125 | V |
| I _{lkg} | Input leakage current (I/O pins) | | | | 0.3 | μA |
| t _{PUCD} | Power-up communication delay | | | 250 | | ms |

(1) Specified by design. Not production tested.

System-Side Impedance Track™ Fuel Gauge

SLUS924–APRIL 2009

www.ti.com

3.3 POWER-ON RESET

 $T_A = -40^\circ\text{C}$ to 85°C , typical values at $T_A = 25^\circ\text{C}$ and $V_{\text{BAT}} = 3.6\text{ V}$ (unless otherwise noted)

| PARAMETER | TEST CONDITIONS | MIN | TYP | MAX | UNIT |
|------------------|---|------|------|------|------|
| $V_{\text{IT+}}$ | Positive-going battery voltage input at V_{CC} | 2.09 | 2.20 | 2.31 | V |
| V_{HYS} | Power-on reset hysteresis | 45 | 115 | 185 | mV |

3.4 INTERNAL TEMPERATURE SENSOR CHARACTERISTICS

 $T_A = -40^\circ\text{C}$ to 85°C , $2.4\text{ V} < V_{\text{CC}} < 2.6\text{ V}$; typical values at $T_A = 25^\circ\text{C}$ and $V_{\text{CC}} = 2.5\text{ V}$ (unless otherwise noted)

| PARAMETER | TEST CONDITIONS | MIN | TYP | MAX | UNIT |
|-------------------|---------------------------------|-----|-----|-----|-------|
| G_{TEMP} | Temperature sensor voltage gain | | -2 | | mV/°C |

3.5 HIGH-FREQUENCY OSCILLATOR

 $T_A = -40^\circ\text{C}$ to 85°C , $2.4\text{ V} < V_{\text{CC}} < 2.6\text{ V}$; typical values at $T_A = 25^\circ\text{C}$ and $V_{\text{CC}} = 2.5\text{ V}$ (unless otherwise noted)

| PARAMETER | TEST CONDITIONS | MIN | TYP | MAX | UNIT |
|------------------|---|---|-------|-------|------|
| f_{OSC} | Operating frequency | | 2.097 | | MHz |
| f_{EIO} | Frequency error ⁽¹⁾ ⁽²⁾ | $T_A = 0^\circ\text{C}$ to 60°C | -2% | 0.38% | 2% |
| | | $T_A = -20^\circ\text{C}$ to 70°C | -3% | 0.38% | 3% |
| | | $T_A = -40^\circ\text{C}$ to 85°C | -4.5% | 0.38% | 4.5% |
| t_{SXO} | Start-up time ⁽³⁾ | | 2.5 | 5 | ms |

(1) The frequency error is measured from 2.097 MHz.

(2) The frequency drift is included and measured from the trimmed frequency at $V_{\text{CC}} = 2.5\text{ V}$, $T_A = 25^\circ\text{C}$.(3) The start-up time is defined as the time it takes for the oscillator output frequency to be within $\pm 3\%$ of typical oscillator frequency.

3.6 LOW-FREQUENCY OSCILLATOR

 $T_A = -40^\circ\text{C}$ to 85°C , $2.4\text{ V} < V_{\text{CC}} < 2.6\text{ V}$; typical values at $T_A = 25^\circ\text{C}$ and $V_{\text{CC}} = 2.5\text{ V}$ (unless otherwise noted)

| PARAMETER | TEST CONDITIONS | MIN | TYP | MAX | UNIT |
|-------------------|---|---|--------|-------|---------------|
| f_{LOSC} | Operating frequency | | 32.768 | | kHz |
| f_{LEIO} | Frequency error ⁽¹⁾ ⁽²⁾ | $T_A = 0^\circ\text{C}$ to 60°C | -1.5% | 0.25% | 1.5% |
| | | $T_A = -20^\circ\text{C}$ to 70°C | -2.5% | 0.25% | 2.5% |
| | | $T_A = -40^\circ\text{C}$ to 85°C | -4% | 0.25% | 4% |
| t_{LSXO} | Start-up time ⁽³⁾ | | | 500 | μs |

(1) The frequency drift is included and measured from the trimmed frequency at $V_{\text{CC}} = 2.5\text{ V}$, $T_A = 25^\circ\text{C}$.

(2) The frequency error is measured from 32.768 kHz.

(3) The start-up time is defined as the time it takes for the oscillator output frequency to be within $\pm 3\%$ of typical oscillator frequency.

3.7 INTEGRATING ADC (COULOMB COUNTER) CHARACTERISTICS

 $T_A = -40^\circ\text{C}$ to 85°C , $2.4\text{ V} < V_{\text{CC}} < 2.6\text{ V}$; typical values at $T_A = 25^\circ\text{C}$ and $V_{\text{CC}} = 2.5\text{ V}$ (unless otherwise noted)

| PARAMETER | TEST CONDITIONS | MIN | TYP | MAX | UNIT |
|-----------------------|--|---|-------------|-------------|---------------|
| V_{SR} | Input voltage range, $V_{\text{(SRN)}}$ and $V_{\text{(SRP)}}$ | $V_{\text{SR}} = V_{\text{(SRN)}} - V_{\text{(SRP)}}$ | -0.125 | 0.125 | V |
| $t_{\text{SR_CONV}}$ | Conversion time | | 1 | | s |
| | Resolution | | 14 | 15 | bits |
| $V_{\text{OS(SR)}}$ | Input offset | | 10 | | μV |
| INL | Integral nonlinearity error | | ± 0.007 | ± 0.034 | % FSR |
| $Z_{\text{IN(SR)}}$ | Effective input resistance ⁽¹⁾ | | 2.5 | | M Ω |
| $I_{\text{kg(SR)}}$ | Input leakage current ⁽¹⁾ | | | 0.3 | μA |

(1) Specified by design. Not tested in production.

3.8 ADC (TEMPERATURE AND CELL MEASUREMENT) CHARACTERISTICS

$T_A = -40^{\circ}\text{C}$ to 85°C , $2.4\text{ V} < V_{CC} < 2.6\text{ V}$; typical values at $T_A = 25^{\circ}\text{C}$ and $V_{CC} = 2.5\text{ V}$ (unless otherwise noted)

| PARAMETER | | TEST CONDITIONS | MIN | TYP | MAX | UNIT |
|-----------------|---|------------------------------------|------|-----|-----|------|
| $V_{IN(ADC)}$ | Input voltage range | | -0.2 | | 1 | V |
| t_{ADC_CONV} | Conversion time | | | | 125 | ms |
| | Resolution | | 14 | | 15 | bits |
| $V_{OS(ADC)}$ | Input offset | | | 1 | | mV |
| Z_{ADC1} | Effective input resistance (TS) ⁽¹⁾ | | 8 | | | MΩ |
| Z_{ADC2} | Effective input resistance (BAT) ⁽¹⁾ | bq27505 not measuring cell voltage | 8 | | | MΩ |
| | | bq27505 measuring cell voltage | | 100 | | kΩ |
| $I_{lkg(ADC)}$ | Input leakage current ⁽¹⁾ | | | | 0.3 | μA |

(1) Specified by design. Not tested in production.

3.9 DATA FLASH MEMORY CHARACTERISTICS

$T_A = -40^{\circ}\text{C}$ to 85°C , $2.4\text{ V} < V_{CC} < 2.6\text{ V}$; typical values at $T_A = 25^{\circ}\text{C}$ and $V_{CC} = 2.5\text{ V}$ (unless otherwise noted)

| PARAMETER | | TEST CONDITIONS | MIN | TYP | MAX | UNIT |
|----------------|--|-----------------|--------|-----|-----|--------|
| t_{DR} | Data retention ⁽¹⁾ | | 10 | | | Years |
| | Flash-programming write cycles ⁽¹⁾ | | 20,000 | | | Cycles |
| $t_{WORDPROG}$ | Word programming time ⁽¹⁾ | | | | 2 | ms |
| I_{CCPROG} | Flash-write supply current ⁽¹⁾ | | | 5 | 10 | mA |
| $t_{DFERASE}$ | Data flash master erase time ⁽¹⁾ | | 200 | | | ms |
| $t_{IFERASE}$ | Instruction flash master erase time ⁽¹⁾ | | 200 | | | ms |
| $t_{PGERASE}$ | Flash page erase time ⁽¹⁾ | | 20 | | | ms |

(1) Specified by design. Not production tested

System-Side Impedance Track™ Fuel Gauge

SLUS924–APRIL 2009

www.ti.com

3.10 I²C-COMPATIBLE INTERFACE COMMUNICATION TIMING CHARACTERISTICS

T_A = -40°C to 85°C, 2.4 V < V_{CC} < 2.6 V; typical values at T_A = 25°C and V_{CC} = 2.5 V (unless otherwise noted)

| PARAMETER | TEST CONDITIONS | MIN | TYP | MAX | UNIT |
|-----------------------|--------------------------------------|-----|-----|-----|------|
| t _r | SCL/SDA rise time | | | 300 | ns |
| t _f | SCL/SDA fall time | | | 300 | ns |
| t _{w(H)} | SCL pulse duration (high) | 600 | | | ns |
| t _{w(L)} | SCL pulse duration (low) | 1.3 | | | μs |
| t _{su(STA)} | Setup for repeated start | 600 | | | ns |
| t _{d(STA)} | Start to first falling edge of SCL | 600 | | | ns |
| t _{su(DAT)} | Data setup time | 100 | | | ns |
| t _{h(DAT)} | Data hold time | 0 | | | ns |
| t _{su(STOP)} | Setup time for stop | 600 | | | ns |
| t _{BUF} | Bus free time between stop and start | 66 | | | μs |
| f _{SCL} | Clock frequency | | | 400 | kHz |

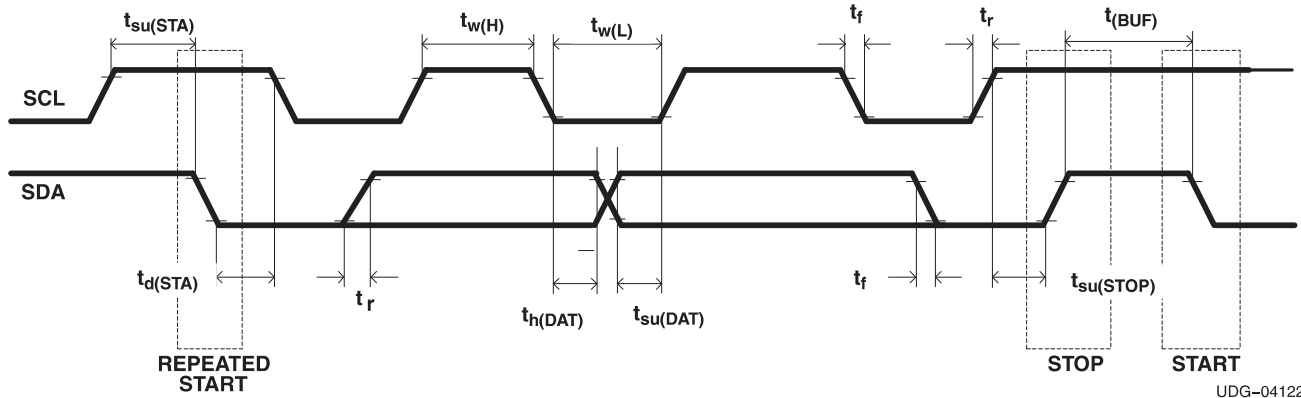


Figure 3-1. I²C-Compatible Interface Timing Diagrams

4 GENERAL DESCRIPTION

The bq27505 accurately predicts the battery capacity and other operational characteristics of a single Li-based rechargeable cell. It can be interrogated by a system processor to provide cell information, such as time-to-empty (TTE), time-to-full (TTF) and state-of-charge (SOC) as well as SOC interrupt signal to the host.

Information is accessed through a series of commands, called *Standard Commands*. Further capabilities are provided by the additional *Extended Commands* set. Both sets of commands, indicated by the general format *Command()*, are used to read and write information contained within the bq27505 control and status registers, as well as its data flash locations. Commands are sent from system to gauge using the bq27505's I²C serial communications engine, and can be executed during application development, pack manufacture, or end-equipment operation.

Cell information is stored in the bq27505 in non-volatile flash memory. Many of these data flash locations are accessible during application development. They cannot, generally, be accessed directly during end-equipment operation. Access to these locations is achieved by either use of the bq27505's companion evaluation software, through individual commands, or through a sequence of data-flash-access commands. To access a desired data flash location, the correct data flash subclass and offset must be known.

The bq27505 provides two 32-byte user-programmable data flash memory blocks: **Manufacturer Info Block A** and **Manufacturer Info Block B**. This data space is accessed through a data flash interface. For specifics on accessing the data flash, [MANUFACTURER INFORMATION BLOCKS](#).

The key to the bq27505's high-accuracy gas gauging prediction is Texas Instrument's proprietary Impedance Track™ algorithm. This algorithm uses cell measurements, characteristics, and properties to create state-of-charge predictions that can achieve less than 1% error across a wide variety of operating conditions and over the lifetime of the battery.

The bq27505 measures charge/discharge activity by monitoring the voltage across a small-value series sense resistor (5 mΩ to 20 mΩ typ.) located between the system's V_{SS} and the battery's PACK- terminal. When a cell is attached to the bq27505, cell impedance is computed, based on cell current, cell open-circuit voltage (OCV), and cell voltage under loading conditions.

The bq27505 external temperature sensing is optimized with the use of a high accuracy negative temperature coefficient (NTC) thermistor with R₂₅ = 10.0kΩ ±1%. B25/85 = 3435K ± 1% (such as Semitec NTC 103AT). The bq27505 can also be configured to use its internal temperature sensor. When an external thermistor is used, a 18.2k pull up resistor between BT/TOUT and TS pins is also required. The bq27505 uses temperature to monitor the battery-pack environment, which is used for fuel gauging and cell protection functionality.

To minimize power consumption, the bq27505 has different power modes: NORMAL, SLEEP, SLEEP+, HIBERNATE, and BAT INSERT CHECK. The bq27505 passes automatically between these modes, depending upon the occurrence of specific events, though a system processor can initiate some of these modes directly. More details can be found in [POWER MODES](#).

NOTE

FORMATTING CONVENTIONS IN THIS DOCUMENT:

Commands: *italics* with parentheses and no breaking spaces, e.g., *RemainingCapacitY()*.

Data flash: *italics*, **bold**, and *breaking spaces*, e.g., **Design Capacity**

Register bits and flags: brackets and *italics*, e.g., [TDA]

Data flash bits: brackets, *italics* and **bold**, e.g., [LED1]

Modes and states: ALL CAPITALS, e.g., UNSEALED mode.

System-Side Impedance Track™ Fuel Gauge

SLUS924–APRIL 2009

www.ti.com

4.1 DATA COMMANDS

4.1.1 STANDARD DATA COMMANDS

The bq27505 uses a series of 2-byte standard commands to enable system reading and writing of battery information. Each standard command has an associated command-code pair, as indicated in [Table 4-1](#). Because each command consists of two bytes of data, two consecutive I²C transmissions must be executed both to initiate the command function, and to read or write the corresponding two bytes of data. Additional options for transferring data, such as spooling, are described in Section of **Communication**. Standard commands are accessible in NORMAL operation. Read/Write permissions depend on the active access mode, SEALED or UNSEALED (for details on the SEALED and UNSEALED states, refer to Section 4.4, Access Modes.)

Table 4-1. Standard Commands

| NAME | | COMMAND CODE | UNITS | SEALED ACCESS | UNSEALED ACCESS |
|------------------------------------|-------|--------------|---------|---------------|-----------------|
| <i>Control()</i> | CNTL | 0x00 / 0x01 | N/A | R/W | R/W |
| <i>AtRate()</i> | AR | 0x02 / 0x03 | mA | R/W | R/W |
| <i>AtRateTimeToEmpty()</i> | ARTTE | 0x04 / 0x05 | Minutes | R | R/W |
| <i>Temperature()</i> | TEMP | 0x06 / 0x07 | 0.1 K | R/W | R/W |
| <i>Voltage()</i> | VOLT | 0x08 / 0x09 | mV | R | R/W |
| <i>Flags()</i> | FLAGS | 0x0a / 0x0b | N/A | R | R/W |
| <i>NominalAvailableCapacity()</i> | NAC | 0x0c / 0x0d | mAh | R | R/W |
| <i>FullAvailableCapacity()</i> | FAC | 0x0e / 0x0f | mAh | R | R/W |
| <i>RemainingCapacity()</i> | RM | 0x10 / 0x11 | mAh | R | R/W |
| <i>FullChargeCapacity()</i> | FCC | 0x12 / 0x13 | mAh | R | R/W |
| <i>AverageCurrent()</i> | AI | 0x14 / 0x15 | mA | R | R/W |
| <i>TimeToEmpty()</i> | TTE | 0x16 / 0x17 | Minutes | R | R/W |
| <i>TimeToFull()</i> | TTF | 0x18 / 0x19 | Minutes | R | R/W |
| <i>StandbyCurrent()</i> | SI | 0x1a / 0x1b | mA | R | R/W |
| <i>StandbyTimeToEmpty()</i> | STTE | 0x1c / 0x1d | Minutes | R | R/W |
| <i>MaxLoadCurrent()</i> | MLI | 0x1e / 0x1f | mA | R | R/W |
| <i>MaxLoadTimeToEmpty()</i> | MLTTE | 0x20 / 0x21 | Minutes | R | R/W |
| <i>AvailableEnergy()</i> | AE | 0x22 / 0x23 | mWh | R | R/W |
| <i>AveragePower()</i> | AP | 0x24 / 0x25 | mW | R | R/W |
| <i>TTEatConstantPower()</i> | TTECP | 0x26 / 0x27 | Minutes | R | R/W |
| <i>StateOfHealth()</i> | SOH | 0x28 / 0x29 | % / num | R | R/W |
| <i>StateOfCharge()</i> | SOC | 0x2c / 0x2d | % | R | R/W |
| <i>NormalizedImpedanceCal()</i> | NIC | 0x2e / 0x2f | mohm | R | R/W |
| <i>InstaneousCurrent Reading()</i> | ICR | 0x30 / 0x31 | mA | R | R/W |

4.1.1.1 *Control()*: 0x00/0x01

Issuing a *Control()* command requires a subsequent 2-byte subcommand. These additional bytes specify the particular control function desired. The *Control()* command allows the system to control specific features of the bq27505 during normal operation and additional features when the bq27505 is in different access modes, as described in [Table 4-2](#).

Table 4-2. *Control()* Subcommands

| CNTL FUNCTION | CNTL DATA | SEALED ACCESS | DESCRIPTION |
|-----------------|-----------|---------------|---|
| CONTROL_STATUS | 0x0000 | Yes | Reports the status of DF checksum, hibernate, IT, etc. |
| DEVICE_TYPE | 0x0001 | Yes | Reports the device type (eg: bq27505) |
| FW_VERSION | 0x0002 | Yes | Reports the firmware version on the device type |
| HW_VERSION | 0x0003 | Yes | Reports the hardware version of the device type |
| DF_CHECKSUM | 0x0004 | No | Enables a data flash checksum to be generated and reports on a read |
| PREV_MACWRITE | 0x0007 | Yes | Returns previous MAC command code |
| CHEM_ID | 0x0008 | Yes | Reports the chemical identifier of the Impedance Track™ configuration |
| BOARD_OFFSET | 0x0009 | No | Forces the device to measure and store the board offset |
| CC_INT_OFFSET | 0x000a | No | Forces the device to measure the internal CC offset |
| WRITE_CC_OFFSET | 0x000b | No | Forces the device to store the internal CC offset |
| OCV_CMD | 0x000c | Yes | Request the gauge to take a OCV measurement |
| BAT_INSERT | 0x000d | Yes | Forces the BAT_DET bit set when the [BIE] bit is 0 |
| BAT_REMOVE | 0x000e | Yes | Forces the BAT_DET bit clear when the [BIE] bit is 0 |
| SET_HIBERNATE | 0x0011 | Yes | Forces CONTROL_STATUS [HIBERNATE] to 1 |
| CLEAR_HIBERNATE | 0x0012 | Yes | Forces CONTROL_STATUS [HIBERNATE] to 0 |
| SET_SLEEP+ | 0x0013 | Yes | Forces CONTROL_STATUS [SNOOZE] to 1 |
| CLEAR_SLEEP+ | 0x0014 | Yes | Forces CONTROL_STATUS [SNOOZE] to 0 |
| SEALED | 0x0020 | No | Places the bq27505 in SEALED access mode |
| IT_ENABLE | 0x0021 | No | Enables the Impedance Track™ algorithm |
| IT_DISABLE | 0x0023 | No | Disables the Impedance Track™ algorithm |
| CAL_MODE | 0x0040 | No | Places the bq27505 in calibration mode |
| RESET | 0x0041 | No | Forces a full reset of the bq27505 |

System-Side Impedance Track™ Fuel Gauge

SLUS924–APRIL 2009

www.ti.com

4.1.1.1.1 CONTROL_STATUS: 0x0000

Instructs the fuel gauge to return status information to control addresses 0x00/0x01. The status word includes the following information.

Table 4-3. CONTROL_STATUS Bit Definitions

| | bit7 | bit6 | bit5 | bit4 | bit3 | bit2 | bit1 | bit0 |
|-----------|----------|-----------|--------|-------|------|---------|-----------|---------|
| High byte | – | FAS | SS | CSV | CCA | BCA | OCVMDCOMP | OCVFAIL |
| Low byte | INITCOMP | HIBERNATE | SNOOZE | SLEEP | LDMD | RUP_DIS | VOK | QEN |

FAS = Status bit indicating the bq27505 is in FULL ACCESS SEALED state. Active when set.

SS = Status bit indicating the bq27505 is in SEALED state. Active when set.

CSV = Status bit indicating a valid data flash checksum has been generated. Active when set.

CCA = Status bit indicating the bq27505 Coulomb Counter Calibration routine is active. The CCA routine will take place approximately 1 minute after the initialization. Active when set.

BCA = Status bit indicating the bq27505 board calibration routine is active. Active when set.

OCVMDCOMP = Status bit indicating the bq27505 has executed the OCV command. This bit can only be set with battery's presence. True when set.

OCVFAIL = Status bit indicating bq27505 OCV reading is failed due to the current. This bit can only be set with battery's presence. True when set.

INITCOMP = Initialization completion bit indicating the initialization completed. This bit can only be set with battery's presence. True when set.

HIBERNATE = Status bit indicating a request for entry into HIBERNATE from SLEEP mode. True when set. Default is 0.

SNOOZE = Status bit indicating the bq27505 SLEEP+ mode is enabled. True when set.

SLEEP = Status bit indicating the bq27505 is in SLEEP mode. True when set.

LDMD = Status bit indicating the bq27505 Impedance Track™ algorithm is using constant-power mode. True when set. Default is 0 (constant-current mode).

RUP_DIS = Status bit indicating the bq27505 Ra table updates are disabled. Updates disabled when set.

VOK = Status bit indicating the bq27505 voltages are okay for Qmax. True when set.

QEN = Status bit indicating the bq27505 Qmax updates enabled. True when set.

4.1.1.1.2 DEVICE_TYPE: 0x0001

Instructs the fuel gauge to return the device type to addresses 0x00/0x01.

4.1.1.1.3 FW_VERSION: 0x0002

Instructs the fuel gauge to return the firmware version to addresses 0x00/0x01.

4.1.1.1.4 HW_VERSION: 0x0003

Instructs the fuel gauge to return the hardware version to addresses 0x00/0x01.

4.1.1.1.5 DF_CHECKSUM: 0x0004

Instructs the fuel gauge to compute the checksum of the data flash memory. The checksum value is written and returned to addresses 0x00/0x01 (UNSEALED mode only). The checksum will not be calculated in SEALED mode; however, the checksum value can still be read.

4.1.1.1.6 PREV_MACWRITE: 0x0007

Instructs the fuel gauge to return the previous command written to addresses 0x00/0x01.

4.1.1.1.7 CHEM_ID: 0x0008

Instructs the fuel gauge to return the chemical identifier for the Impedance Track™ configuration to addresses 0x00/0x01.

4.1.1.1.8 BOARD_OFFSET: 0X0009

Instructs the fuel gauge to compute the coulomb counter offset with internal short and then without internal short applied across the sensing resistor (SR) inputs. The difference between the two measurements is the board offset. After a delay of approximately 32 seconds, this offset value is returned to addresses 0x00/0x01 and written to data flash. The CONTROL STATUS [BCA] is also set. The user must prevent any charge or discharge current from flowing during the process. This function is only available when the fuel gauge is UNSEALED. When SEALED, this command only reads back the board-offset value stored in data flash.

4.1.1.1.9 CC_INT_OFFSET: 0X000A

Control data of 0x000a instructs the fuel gauge to compute the coulomb counter offset with internal short applied across the SR inputs. The offset value is returned to addresses 0x00/0x01, after a delay of approximately 16 seconds. This function is only available when the fuel gauge is UNSEALED. When SEALED, this command only reads back the CC_INT_OFFSET value stored in data flash.

4.1.1.1.10 WRITE_OFFSET: 0X000B

Control data of 0x000b causes the fuel gauge to write the coulomb counter offset to data flash.

4.1.1.1.11 OCV_CMD: 0X000C

This command is to request the gauge to take a OCV reading. This command can only be issued after the *[INICOMP]* has been set, indicating the initialization has been completed. The OCV measurement take place at the beginning of the next repeated 1s firmware synchronization clock. During the same time period, the SOC_INT will pulse. The host should use this signal to reduce the load current below the C/20 in 8ms for a valid OCV reading. The OCV command *[OCVFAIL]* bit will be set if the OCV_CMD is issued when *[CHG_INH]* is set.

4.1.1.1.12 BAT_INSERT: 0X000D

This command is to force the BAT_DET bit to be set when the battery insertion detection is disabled. When the BIE is set to 0, the battery insertion detection is disabled. The gauge relies on the host to inform the battery insertion with this command to set the BAT_DET bit.

4.1.1.1.13 BAT_REMOVE: 0X000E

This command is to force the BAT_DET bit to be clear when the battery insertion detection is disabled. When the BIE is set to 0, the battery insertion detection is disabled. The gauge relies on the host to inform the battery removal with this command to clear the BAT_DET bit.

4.1.1.1.14 SET_HIBERNATE: 0x0011

Instructs the fuel gauge to force the CONTROL_STATUS *[HIBERNATE]* bit to 1. This will allow the gauge to enter the HIBERNATE power mode after the transition to SLEEP power state is detected. The *[HIBERNATE]* bit is automatically cleared upon exiting from HIBERNATE mode.

4.1.1.1.15 CLEAR_HIBERNATE: 0x0012

Instructs the fuel gauge to force the CONTROL_STATUS *[HIBERNATE]* bit to 0. This prevents the gauge from entering the HIBERNATE power mode after the transition to the SLEEP power state is detected. It can also be used to force the gauge out of HIBERNATE mode.

4.1.1.1.16 ENABLE SLEEP+ MODE: 0X0013

Instructs the fuel gauge to set the CONTROL_STATUS *[SNOOZE]* bit to 1. This will enable the SLEEP+ mode. The gauge will enter SLEEP+ power mode after the transition conditions are meet.

4.1.1.1.17 DISABLE SLEEP+ MODE: 0X0014

Instructs the fuel gauge to set the CONTROL_STATUS *[SNOOZE]* bit to 0. This will disable the SLEEP+ mode. The gauge will exit from the SLEEP+ power mode after the SNOOZ bit is cleared.

4.1.1.1.18 SEALED: 0x0020

Instructs the fuel gauge to transition from the UNSEALED state to the SEALED state. The fuel gauge must always be set to the SEALED state for use in end equipment.

4.1.1.1.19 IT_ENABLE: 0x0021

This command forces the fuel gauge to begin the Impedance Track™ algorithm, sets the *IT Enable* to 0x01 and causes the *[VOK]* and *[QEN]* flags to be set in the CONTROL_STATUS register. *[VOK]* is cleared if the voltages are not suitable for a Qmax update. This command is only available when the fuel gauge is UNSEALED.

System-Side Impedance Track™ Fuel Gauge

SLUS924–APRIL 2009

www.ti.com

4.1.1.1.20 *IT_DISABLE*: 0x0023

This command disables the fuel gauge the Impedance Track™ algorithm, clears the *IT Enable* to 0x00 and causes the *[QEN]* flags to be cleared in the CONTROL_STATUS register. This command is only available when the fuel gauge is UNSEALED.

4.1.1.1.21 *CAL_MODE*: 0X0040

This command instructs the fuel gauge to enter calibration mode. This command is only available when the fuel gauge is UNSEALED.

4.1.1.1.22 *RESET*: 0x0041

This command instructs the fuel gauge to perform a full reset. This command is only available when the fuel gauge is UNSEALED.

4.1.1.2 *AtRate()*: 0x02/0x03

The *AtRate()* read-/write-word function is the first half of a two-function command set used to set the *AtRate* value used in calculations made by the *AtRateTimeToEmpty()* function. The *AtRate()* units are in mA.

The *AtRate()* value is a signed integer, with negative values interpreted as a discharge current value. The *AtRateTimeToEmpty()* function returns the predicted operating time at the *AtRate* value of discharge. The default value for *AtRate()* is zero and forces *AtRateTimeToEmpty()* to return 65,535. Both the *AtRate()* and *AtRateTimeToEmpty()* commands must only be used in NORMAL mode.

4.1.1.3 *AtRateTimeToEmpty()*: 0x04/0x05

This read-word function returns an unsigned integer value of the predicted remaining operating time if the battery is discharged at the *AtRate()* value in minutes with a range of 0 to 65,534. A value of 65,535 indicates *AtRate()* = 0. The fuel gauge updates *AtRateTimeToEmpty()* within 1 s after the system sets the *AtRate()* value. The fuel gauge automatically updates *AtRateTimeToEmpty()* based on the *AtRate()* value every 1 s. Both the *AtRate()* and *AtRateTimeToEmpty()* commands must only be used in NORMAL mode.

4.1.1.4 *Temperature()*: 0x06/0x07

This read-/write-word function returns an unsigned integer value of the temperature in units of 0.1 K measured by the fuel gauge. Write temperature to the gauge when the *[WRTEMP]* is 1.

4.1.1.5 *Voltage()*: 0x08/0x09

This read-word function returns an unsigned integer value of the measured cell-pack voltage in mV with a range of 0 to 6000 mV.

4.1.1.6 **Flags() : 0x0a/0x0b**

This read-word function returns the contents of the fuel-gauge status register, depicting the current operating status.

Table 4-4. Flags Bit Definitions

| | bit7 | bit6 | bit5 | bit4 | bit3 | bit2 | bit1 | bit0 |
|-----------|------|------|--------|---------|---------|------|---------|------|
| High byte | OTC | OTD | – | – | CHG_INH | XCHG | FC | CHG |
| Low byte | – | – | OCV_GD | WAIT_ID | BAT_DET | SOC1 | SYSDOWN | DSG |

OTC = Overtemperature in charge condition is detected. True when set.

OTD = Overtemperature in discharge condition is detected. True when set.

CHG_INH = Charge inhibit: unable to begin charging (temperature outside the range [*Charge Inhibit Temp Low, Charge Inhibit Temp High*]). True when set.

XCHG = Charge suspend alert (temperature outside the range [*Suspend Temperature Low, Suspend Temperature High*]). True when set.

FC = Full-charged condition reached. Set when charge termination condition is met. (RMFCC=1; Set FC_Set % = -1% when RMFCC = 0). True when set

CHG = (Fast) charging allowed. True when set.

OCV_GD = Good OCV measurement taken. True when set.

WAIT_ID = Waiting to identify inserted battery. True when set.

BAT_DET = Battery detected. True when set.

SOC1 = State-of-charge threshold 1 (**SOC1 Set**) reached. The flag is enabled when BL_INT bit in *Operation Configuration B* is set. True when set.

SysDown = SystemDown bit indicating the system shut down. True when set

DSG = Discharging detected. True when set.

4.1.1.7 **NominalAvailableCapacity() : 0x0c/0x0d**

This read-only command pair returns the uncompensated (less than C/20 load) battery capacity remaining. Units are mAh.

4.1.1.8 **FullAvailableCapacity() : 0x0e/0x0f**

This read-only command pair returns the uncompensated (less than C/20 load) capacity of the battery when fully charged. Units are mAh. *FullAvailableCapacity()* is updated at regular intervals, as specified by the IT algorithm.

4.1.1.9 **RemainingCapacity() : 0x10/0x11**

This read-only command pair returns the compensated battery capacity remaining. Units are mAh.

4.1.1.10 **FullChargeCapacity() : 0x12/13**

This read-only command pair returns the compensated capacity of the battery when fully charged. Units are mAh. *FullChargeCapacity()* is updated at regular intervals, as specified by the IT algorithm.

4.1.1.11 **AverageCurrent() : 0x14/0x15**

This read-only command pair returns a signed integer value that is the average current flow through the sense resistor. It is updated every 1 second. Units are mA.

4.1.1.12 **TimeToEmpty() : 0x16/0x17**

This read-only function returns an unsigned integer value of the predicted remaining battery life at the present rate of discharge, in minutes. A value of 65,535 indicates battery is not being discharged.

4.1.1.13 **TimeToFull() : 0x18/0x19**

This read-only function returns an unsigned integer value of predicted remaining time until the battery reaches full charge, in minutes, based upon *AverageCurrent()*. The computation accounts for the taper current time extension from the linear TTF computation based on a fixed *AverageCurrent()* rate of charge accumulation. A value of 65,535 indicates the battery is not being charged.

System-Side Impedance Track™ Fuel Gauge

SLUS924–APRIL 2009

www.ti.com

4.1.1.14 *StandbyCurrent()*: 0x1a/0x1b

This read-only function returns a signed integer value of the measured standby current through the sense resistor. The *StandbyCurrent()* is an adaptive measurement. Initially it reports the standby current programmed in *Initial Standby*, and after spending several seconds in standby, reports the measured standby current.

The register value is updated every 1 second when the measured current is above the *Deadband* and is less than or equal to $2 \times$ *Initial Standby*. The first and last values that meet this criteria are not averaged in, since they may not be stable values. To approximate a 1 minute time constant, each new *StandbyCurrent()* value is computed by taking approximate 93% weight of the last standby current and approximate 7% of the current measured average current.

4.1.1.15 *StandbyTimeToEmpty()*: 0x1c/0x1d

This read-only function returns an unsigned integer value of the predicted remaining battery life at the standby rate of discharge, in minutes. The computation uses *Nominal Available Capacity* (NAC), the uncompensated remaining capacity, for this computation. A value of 65,535 indicates battery is not being discharged.

4.1.1.16 *MaxLoadCurrent()*: 0x1e/0x1f

This read-only function returns a signed integer value, in units of mA, of the maximum load conditions. The *MaxLoadCurrent()* is an adaptive measurement which is initially reported as the maximum load current programmed in *Initial Max Load Current*. If the measured current is ever greater than *Initial Max Load Current*, then *MaxLoadCurrent()* updates to the new current. *MaxLoadCurrent()* is reduced to the average of the previous value and *Initial Max Load Current* whenever the battery is charged to full after a previous discharge to an SOC less than 50%. This prevents the reported value from maintaining an unusually high value.

4.1.1.17 *MaxLoadTimeToEmpty()*: 0x20/0x21

This read-only function returns an unsigned integer value of the predicted remaining battery life at the maximum load current discharge rate, in minutes. A value of 65,535 indicates that the battery is not being discharged.

4.1.1.18 *AvailableEnergy()*: 0x22/0x23

This read-only function returns an unsigned integer value of the predicted charge or energy remaining in the battery. The value is reported in units of mWh.

4.1.1.19 *AveragePower()*: 0x24/0x25

This read-only function returns an signed integer value of the average power during battery charging and discharging. It is negative during discharge and positive during charge. A value of 0 indicates that the battery is not being discharged. The value is reported in units of mW.

4.1.1.20 *TimeToEmptyAtConstantPower()*: 0x26/0x27

This read-only function returns an unsigned integer value of the predicted remaining operating time if the battery is discharged at the *AveragePower()* value in minutes. A value of 65,535 indicates *AveragePower()* = 0. The fuel gauge automatically updates *TimeToEmptyatContantPower()* based on the *AveragePower()* value every 1 s.

4.1.1.21 StateofHealth(): 0x28/0x29

0x28 SOH percentage: this read-only function returns an unsigned integer value, expressed as a percentage of the ration of predicted *FCC(25°C, SOH LoadI)* over the *DesignCapacity()*. The *FCC(25°C, SOH LoadI)* is the calculated full charge capacity at 25°C and the *SOH LoadI* which is specified in the data flash. The range of the returned SOH percentage is 0x00 to 0x64, indicating 0 to 100% correspondingly.

0x29 SOH Status: this read-only function returns an unsigned integer value, indicating the status of the SOH percentage. The meanings of the returned value are:

- 0x00: SOH not valid (initialization)
- 0x01: Instant SOH value ready
- 0x02: Initial SOH value ready
 - Calculation based on uncompensated Qmax
 - Updated at first grid point update after cell insertion
- 0x03: SOH value ready
 - Utilize the updated Qmax update
 - Calculation based on compensated Qmax
 - Updated after complete charge and relax is complete
- 0x04-0xFF: Reserved

4.1.1.22 StateOfCharge(): 0x2c/0x2d

This read-only function returns an unsigned integer value of the predicted remaining battery capacity expressed as a percentage of *FullChargeCapacity()*, with a range of 0 to 100%.

4.1.1.23 NormalizedImpedanceCal(): 0x2e/0x2f

This read-only function returns an unsigned integer value of the calculated normalized impedance to 0°C at the current Depth of Discharge, with the unit of mΩ.

4.1.1.24 InstaneousCurrent Reading() 0x30/0x31

This read-only function returns a signed integer value that is the instantaneous current flow through the sense resistor. The conversion time is 125ms. It is updated every 1 second. Units are mA.

4.1.2 EXTENDED DATA COMMANDS

Extended commands offer additional functionality beyond the standard set of commands. They are used in the same manner; however, unlike standard commands, extended commands are not limited to 2-byte words. The number of commands bytes for a given extended command ranges in size from single to multiple bytes, as specified in [Table 4-5](#).

Table 4-5. Extended Data Commands

| NAME | | COMMAND CODE | UNITS | SEALED ACCESS ⁽¹⁾ (2) | UNSEALED ACCESS ⁽¹⁾ (2) |
|---|----------|--------------|-------|----------------------------------|------------------------------------|
| Reserved | RSVD | 0x34...0x3b | N/A | R | R |
| <i>DesignCapacity()</i> | DCAP | 0x3c / 0x3d | mAh | R | R |
| <i>DataFlashClass()</i> ⁽²⁾ | DFCLS | 0x3e | N/A | N/A | R/W |
| <i>DataFlashBlock()</i> ⁽²⁾ | DFBLK | 0x3f | N/A | R/W | R/W |
| <i>Authenticate()/BlockData()</i> | A/DF | 0x40...0x53 | N/A | R/W | R/W |
| <i>AuthenticateChecksum()/BlockData()</i> | ACKS/DFD | 0x54 | N/A | R/W | R/W |
| <i>BlockData()</i> | DFD | 0x40...0x5f | N/A | R | R/W |
| <i>BlockDataChecksum()</i> | DFDCKS | 0x60 | N/A | R/W | R/W |
| <i>BlockDataControl()</i> | DFDCNTL | 0x61 | N/A | N/A | R/W |

(1) SEALED and UNSEALED states are entered via commands to **Control()** 0x00/0x01.

(2) In sealed mode, data flash CANNOT be accessed through commands 0x3e and 0x3f.

Table 4-5. Extended Data Commands (continued)

| NAME | | COMMAND CODE | UNITS | SEALED ACCESS ⁽¹⁾ (2) | UNSEALED ACCESS ⁽¹⁾ (2) |
|----------------------------|----------|--------------|-------|----------------------------------|------------------------------------|
| <i>DeviceNameLength()</i> | DNAMELEN | 0x62 | N/A | R | R |
| <i>DeviceName()</i> | DNAME | 0x63...0x69 | N/A | R | R |
| <i>ApplicationStatus()</i> | APPSTAT | 0x6a | N/A | R | R |
| Reserved | RSVD | 0x6b...0x7f | N/A | R | R |

4.1.2.1 *DesignCapacity()*: 0x3c/0x3d

SEALED and UNSEALED Access: This command returns the value is stored in *Design Capacity* and is expressed in mAh. This is intended to be the theoretical or nominal capacity of a new pack, but has no bearing on the operation of the fuel gauge functionality.

4.1.2.2 *DataFlashClass()*: 0x3e

UNSEALED Access: This command sets the data flash class to be accessed. The class to be accessed must be entered in hexadecimal.

SEALED Access: This command is not available in SEALED mode.

4.1.2.3 *DataFlashBlock()*: 0x3f

UNSEALED Access: This command sets the data flash block to be accessed. When 0x00 is written to *BlockDataControl()*, *DataFlashBlock()* holds the block number of the data flash to be read or written. Example: writing a 0x00 to *DataFlashBlock()* specifies access to the first 32-byte block, a 0x01 specifies access to the second 32-byte block, and so on.

SEALED Access: This command directs which data flash block is accessed by the *BlockData()* command. Writing a 0x00 to *DataFlashBlock()* specifies that the *BlockData()* command transfers authentication data. Issuing a 0x01 or 0x02 instructs the *BlockData()* command to transfer **Manufacturer Info Block A** or **B**, respectively.

4.1.2.4 *BlockData()*: 0x40...0x5f

UNSEALED Access: This data block is the remainder of the 32 byte data block when accessing data flash.

SEALED Access: This data block is the remainder of the 32 byte data block when accessing **Manufacturer Block Info A or B**.

4.1.2.5 *BlockDataChecksum()*: 0x60

UNSEALED Access: This byte contains the checksum on the 32 bytes of block data read or written to data flash. The least-significant byte of the sum of the data bytes written must be complemented ($[255 - x]$, for x the least-significant byte) before being written to 0x60.

SEALED Access: This byte contains the checksum for the 32 bytes of block data written to **Manufacturer Info Block A or B**. The least-significant byte of the sum of the data bytes written must be complemented ($[255 - x]$, for x the least-significant byte) before being written to 0x60.

4.1.2.6 *BlockDataControl()*: 0x61

UNSEALED Access: This command is used to control data flash access mode. Writing 0x00 to this command enables *BlockData()* to access general data flash. Writing a 0x01 to this command enables SEALED mode operation of *DataFlashBlock()*.

SEALED Access: This command is not available in SEALED mode.

4.1.2.7 *DeviceNameLength()*: 0x62

UNSEALED and SEALED Access: This byte contains the length of the **Device Name**.

4.1.2.8 *DeviceName()*: 0x63...0x69

UNSEALED and SEALED Access: This block contains the device name that is programmed in *Device Name*.

4.1.2.9 *ApplicationStatus()*: 0x6a

This byte function allows the system to read the bq27505 *Application Status* data flash location. See [Table 6-1](#) for specific bit definitions.

4.1.2.10 Reserved — 0x6b–0x7f

4.2 DATA FLASH INTERFACE

4.2.1 ACCESSING THE DATA FLASH

The bq27505 data flash is a non-volatile memory that contains bq27505 initialization, default, cell status, calibration, configuration, and user information. The data flash can be accessed in several different ways, depending on what mode the bq27505 is operating in and what data is being accessed.

Commonly accessed data flash memory locations, frequently read by a system, are conveniently accessed through specific instructions, already described in [Section 4.1, DATA COMMANDS](#). These commands are available when the bq27505 is either in UNSEALED or SEALED modes.

Most data flash locations, however, are only accessible in UNSEALED mode by use of the bq27505 evaluation software or by data flash block transfers. These locations should be optimized and/or fixed during the development and manufacture processes. They become part of a golden image file and can then be written to multiple battery packs. Once established, the values generally remain unchanged during end-equipment operation.

To access data flash locations individually, the block containing the desired data flash location(s) must be transferred to the command register locations, where they can be read to the system or changed directly. This is accomplished by sending the set-up command *BlockDataControl()* (0x61) with data 0x00. Up to 32 bytes of data can be read directly from the *BlockData()* (0x40...0x5f), externally altered, then rewritten to the *BlockData()* command space. Alternatively, specific locations can be read, altered, and rewritten if their corresponding offsets are used to index into the *BlockData()* command space. Finally, the data residing in the command space is transferred to data flash, once the correct checksum for the whole block is written to *BlockDataChecksum()* (0x60).

Occasionally, a data flash CLASS will be larger than the 32-byte block size. In this case, the *DataFlashBlock()* command is used to designate which 32-byte block the desired locations reside in. The correct command address is then given by $0x40 + \text{offset} \text{ modulo } 32$. For example, to access **Terminate Voltage** in the *Gas Gauging* class, *DataFlashClass()* is issued 80 (0x50) to set the class. Because the offset is 50, it must reside in the second 32-byte block. Hence, *DataFlashBlock()* is issued 0x01 to set the block offset, and the offset used to index into the *BlockData()* memory area is $0x40 + 50 \text{ modulo } 32 = 0x40 + 18 = 0x40 + 0x12 = 0x52$.

Reading and writing subclass data are block operations up to 32 bytes in length. If during a write the data length exceeds the maximum block size, then the data is ignored.

None of the data written to memory are bounded by the bq27505 – the values are not rejected by the fuel gauge. Writing an incorrect value may result in hardware failure due to firmware program interpretation of the invalid data. The written data is persistent, so a power-on reset does resolve the fault.

System-Side Impedance Track™ Fuel Gauge

SLUS924–APRIL 2009

www.ti.com

4.3 MANUFACTURER INFORMATION BLOCKS

The bq27505 contains 96 bytes of user programmable data flash storage: **Manufacturer Info Block A**, and **Manufacturer Info Block B**. The method for accessing these memory locations is slightly different, depending on whether the device is in UNSEALED or SEALED modes.

When in UNSEALED mode and when 0x00 has been written to *BlockDataControl()*, accessing the manufacturer information blocks is identical to accessing general data flash locations. First, a *DataFlashClass()* command is used to set the subclass, then a *DataFlashBlock()* command sets the offset for the first data flash address within the subclass. The *BlockData()* command codes contain the referenced data flash data. When writing the data flash, a checksum is expected to be received by *BlockDataChecksum()*. Only when the checksum is received and verified is the data actually written to data flash.

As an example, the data flash location for **Manufacturer Info Block B** is defined as having a Subclass = 58 and an Offset = 32 through 63 (32 byte block). The specification of Class = System Data is not needed to address **Manufacturer Info Block B**, but is used instead for grouping purposes when viewing data flash info in the bq27505 evaluation software.

When in SEALED mode or when 0x01 *BlockDataControl()* does not contain 0x00, data flash is no longer available in the manner used in UNSEALED mode. Rather than issuing subclass information, a designated Manufacturer Information Block is selected with the *DataFlashBlock()* command. Issuing a 0x01 or 0x02 with this command causes the corresponding information block (A or B, respectively) to be transferred to the command space 0x40...0x5f for editing or reading by the system. Upon successful writing of checksum information to *BlockDataChecksum()*, the modified block is returned to data flash. **Note:** **Manufacturer Info Block A** is read-only when in SEALED mode.

4.4 ACCESS MODES

The bq27505 provides three security modes (FULL ACCESS, UNSEALED, and SEALED) that control data flash access permissions, according to [Table 4-6](#). *Data Flash* refers to those data flash locations, specified in [Table 4-7](#), that are accessible to the user. *Manufacture Information* refers to the three 32-byte blocks.

Table 4-6. Data Flash Access

| Security Mode | Data Flash | Manufacture Information |
|---------------|------------|-------------------------|
| FULL ACCESS | R/W | R/W |
| UNSEALED | R/W | R/W |
| SEALED | None | R(A); R/W(B) |

Although FULL ACCESS and UNSEALED modes appear identical, only FULL ACCESS allows the bq27505 to write access-mode transition keys.

4.5 SEALING/UNSEALING DATA FLASH

The bq27505 implements a key-access scheme to transition between SEALED, UNSEALED, and FULL-ACCESS modes. Each transition requires that a unique set of two keys be sent to the bq27505 via the *Control()* control command. The keys must be sent consecutively, with no other data being written to the *Control()* register in between. Note that to avoid conflict, the keys must be different from the codes presented in the *CNTL DATA* column of [Table 4-2](#) subcommands.

When in SEALED mode, the CONTROL_STATUS [SS] bit is set, but when the UNSEAL keys are correctly received by the bq27505, the [SS] bit is cleared. When the full-access keys are correctly received, then the CONTROL_STATUS [FAS] bit is cleared.

Both the sets of keys for each level are 2 bytes each in length and are stored in data flash. The UNSEAL key (stored at **Unseal Key 0** and **Unseal Key 1**) and the FULL-ACCESS key (stored at **Full-Access Key 0** and **Full-Access Key 1**) can only be updated when in FULL-ACCESS mode. The order of the keys is **Key 1** followed by **Key 0**. The order of the bytes entered through the *Control()* command is the reverse of what is read from the part. For example, if the **Key 1** and **Key 0** of the **Unseal Keys** returns 0x1234 and 0x5678, then the *Control()* should supply 0x3412 and 0x7856 to unseal the part.

4.6 DATA FLASH SUMMARY

[Table 4-7](#) summarizes the data flash locations available to the user, including their default, minimum, and maximum values.

Table 4-7. Data Flash Summary

| Class | Subclass ID | Subclass | Offset | Name | Data Type | Min Value | Max Value | Default Value | Units |
|---------------|-------------|--------------------------|--------|--------------------------|-----------|-----------|-----------|---------------|-------|
| Configuration | 2 | Safety | 0 | OT Chg | I2 | 0 | 1200 | 550 | 0.1°C |
| Configuration | 2 | Safety | 2 | OT Chg Time | U1 | 0 | 60 | 2 | s |
| Configuration | 2 | Safety | 3 | OT Chg Recovery | I2 | 0 | 1200 | 500 | 0.1°C |
| Configuration | 2 | Safety | 5 | OT Dsg | I2 | 0 | 1200 | 600 | 0.1°C |
| Configuration | 2 | Safety | 7 | OT Dsg Time | U1 | 0 | 60 | 2 | s |
| Configuration | 2 | Safety | 8 | OT Dsg Recovery | I2 | 0 | 1200 | 550 | 0.1°C |
| Configuration | 32 | Charge Inhibit Temp Low | 0 | Charge Inhibit Temp Low | I2 | -400 | 1200 | 0 | 0.1°C |
| Configuration | 32 | Charge Inhibit Temp High | 2 | Charge Inhibit Temp High | I2 | -400 | 1200 | 450 | 0.1°C |
| Configuration | 32 | Temp Hysteresis | 4 | Temp Hys | I2 | 0 | 100 | 50 | 0.1°C |
| Configuration | 34 | Charge | 2 | Charging Voltage | I2 | 0 | 4600 | 4200 | mV |
| Configuration | 34 | Charge | 4 | Delta Temp | I2 | 0 | 500 | 50 | 0.1°C |

System-Side Impedance Track™ Fuel Gauge

SLUS924–APRIL 2009

www.ti.com

Table 4-7. Data Flash Summary (continued)

| Class | Subclass ID | Subclass | Offset | Name | Data Type | Min Value | Max Value | Default Value | Units |
|---------------|-------------|--------------------|--------|------------------------------|-----------|-----------|-----------|--------------------|---------|
| Configuration | 34 | Charge | 6 | Suspend Low Temp | I2 | –400 | 1200 | –50 | 0.1°C |
| Configuration | 34 | Charge | 8 | Suspend High Temp | I2 | –400 | 1200 | 550 | 0.1°C |
| Configuration | 36 | Charge Termination | 2 | Taper Current | I2 | 0 | 1000 | 100 | mA |
| Configuration | 36 | Charge Termination | 4 | Minimum Taper Charge | I2 | 0 | 1000 | 25 | 0.01mAh |
| Configuration | 36 | Charge Termination | 6 | Taper Voltage | I2 | 0 | 1000 | 100 | mV |
| Configuration | 36 | Charge Termination | 8 | Current Taper Window | U1 | 0 | 60 | 40 | s |
| Configuration | 36 | Charge Termination | 11 | FC Set % | I1 | –1 | 100 | 100 | % |
| Configuration | 36 | Charge Termination | 12 | FC Clear % | I1 | –1 | 100 | 98 | % |
| Configuration | 48 | Data | 4 | Initial Standby Current | I1 | –128 | 0 | –10 | mA |
| Configuration | 48 | Data | 5 | Initial Max Load Current | I2 | –32,767 | 0 | –500 | mA |
| Configuration | 48 | Data | 7 | CC Threshold | I2 | 100 | 32,767 | 900 | mAh |
| Configuration | 48 | Data | 10 | Design Capacity | I2 | 0 | 65,535 | 1000 | mAh |
| Configuration | 48 | Data | 12 | SOH Load | I2 | –32,767 | 0 | –400 | mA |
| Configuration | 48 | Data | 14 | Default Temp | I2 | 0 | 1000 | 250 ⁽¹⁾ | 0.1°C |
| Configuration | 48 | Data | 16 | Device name | S8 | x | x | bq27505 | – |
| Configuration | 49 | Discharge | 0 | SOC1 Set Threshold | U1 | 0 | 255 | 150 | mAh |
| Configuration | 49 | Discharge | 1 | SOC1 Clear Threshold | U1 | 0 | 255 | 175 | mAh |
| Configuration | 49 | Discharge | 5 | SysDown Set Volt Threshold | I2 | 0 | 4200 | 3150 | mV |
| Configuration | 49 | Discharge | 7 | SysDown Set Volt Time | U1 | 0 | 60 | 2 | s |
| Configuration | 49 | Discharge | 8 | SysDown Clear Volt Threshold | I2 | 0 | 4200 | 3400 | mV |
| Configuration | 49 | Discharge | 15 | Final Voltage | U2 | 0 | 4200 | 3000 | mV |
| Configuration | 56 | Integrity Data | 1 | Full Reset Counter | U1 | 0 | 255 | 0 | num |
| System Data | 57 | Manufacturer Info | 0 | Block A 0 | H1 | 0x00 | 0xff | 0x00 | – |
| System Data | 57 | Manufacturer Info | 1–31 | Block A [10–31] | H1 | 0x00 | 0xff | 0x00 | – |
| System Data | 57 | Manufacturer Info | 32–63 | Block B [0–31] | H1 | 0x00 | 0xff | 0x00 | – |
| Configuration | 64 | Registers | 0 | Operation Configuration | H2 | 0x0000 | 0xffff | 0x0973 | – |
| Configuration | 64 | Registers | 7 | SOC Delta | U1 | 0 | 25 | 1 | % |
| Configuration | 64 | Registers | 8 | I ² C Timeout | U1 | 0 | 7 | 4 | num |
| Configuration | 64 | Registers | 9 | DFWrlndWaitTime | U2 | 0 | 65535 | 0 | 5μs |
| Configuration | 64 | Registers | 11 | OpConfigB | H1 | 0x00 | 0xff | 0x50 | – |
| Configuration | 68 | Power | 0 | Flash Update OK Voltage | I2 | 0 | 4200 | 2800 | mV |
| Configuration | 68 | Power | 7 | Sleep Current | I2 | 0 | 100 | 10 | mA |
| Configuration | 68 | Power | 16 | Hibernate Current | U2 | 0 | 700 | 8 | mA |
| Configuration | 68 | Power | 18 | Hibernate Voltage | U2 | 2400 | 3000 | 2550 | mV |
| Gas Gauging | 80 | IT Cfg | 0 | Load Select | U1 | 0 | 255 | 1 | – |
| Gas Gauging | 80 | IT Cfg | 1 | Load Mode | U1 | 0 | 255 | 0 | – |
| Gas Gauging | 80 | IT Cfg | 25 | Ra Filter | U2 | 0 | 1000 | 800 | num |
| Gas Gauging | 80 | IT Cfg | 45 | Min % Passed Charge for Qmax | U1 | 1 | 100 | 37 | % |
| Gas Gauging | 80 | IT Cfg | 49 | Qmax Filter | U1 | 0 | 255 | 96 | num |
| Gas Gauging | 80 | IT Cfg | 50 | Terminate Voltage | I2 | –32,768 | 32,767 | 3420 | mV |

(1) Display as the value EVSW displayed. Data Flash value is different.

Table 4-7. Data Flash Summary (continued)

| Class | Subclass ID | Subclass | Offset | Name | Data Type | Min Value | Max Value | Default Value | Units |
|-------------|-------------|--------------------|--------|-----------------------|-------------------|-----------|-----------|-----------------------|-------|
| Gas Gauging | 80 | IT Cfg | 55 | User Rate-mA | I2 | -2000 | -100 | 0 | mA |
| Gas Gauging | 80 | IT Cfg | 57 | User Rate-mW | I2 | -7200 | -350 | 0 | mW |
| Gas Gauging | 80 | IT Cfg | 59 | Reserve Cap-mAh | I2 | 0 | 9000 | 0 | mAh |
| Gas Gauging | 80 | IT Cfg | 61 | Reserve Cap-mWh | I2 | 0 | 14,000 | 0 | mWh |
| Gas Gauging | 81 | Current Thresholds | 0 | Dsg Current Threshold | I2 | 0 | 2000 | 60 | mA |
| Gas Gauging | 81 | Current Thresholds | 2 | Chg Current Threshold | I2 | 0 | 2000 | 75 | mA |
| Gas Gauging | 81 | Current Thresholds | 4 | Quit Current | I2 | 0 | 1000 | 40 | mA |
| Gas Gauging | 81 | Current Thresholds | 6 | Dsg Relax Time | U2 | 0 | 8191 | 60 | s |
| Gas Gauging | 81 | Current Thresholds | 8 | Chg Relax Time | U1 | 0 | 255 | 60 | s |
| Gas Gauging | 81 | Current Thresholds | 9 | Quit Relax Time | U1 | 0 | 63 | 1 | s |
| Gas Gauging | 82 | State | 0 | IT Enable | H1 | 0x00 | 0x03 | 0x00 | – |
| Gas Gauging | 82 | State | 1 | Application Status | H1 | 0x00 | 0xff | 0x00 | – |
| Gas Gauging | 82 | State | 2 | Qmax 0 | I2 | 0 | 32,767 | 1000 | mAh |
| Gas Gauging | 82 | State | 4 | Cycle Count 0 | U2 | 0 | 65,535 | 0 | – |
| Gas Gauging | 82 | State | 6 | Update Status 0 | H1 | 0x00 | 0x03 | 0x00 | – |
| Gas Gauging | 82 | State | 7 | Qmax 1 | I2 | 0 | 32767 | 1000 | mAh |
| Gas Gauging | 82 | State | 9 | Cycle Count 1 | U2 | 0 | 65,535 | 0 | Count |
| Gas Gauging | 82 | State | 11 | Update Status 1 | H1 | 0x00 | 0x03 | 0x00 | – |
| Gas Gauging | 82 | State | 12 | Cell0 Chg dod | I2 | 0 | 16384 | 0 | – |
| Gas Gauging | 82 | State | 14 | Cell1 Chg dod at EoC | I2 | 0 | 16384 | 0 | – |
| Gas Gauging | 82 | State | 16 | Avg I Last Run | I2 | -32,768 | 32,767 | -299 | mA |
| Gas Gauging | 82 | State | 18 | Avg P Last Run | I2 | -32,768 | 32,767 | -1131 | mAh |
| Calibration | 104 | Data | 0 | CC Gain | F4 ⁽²⁾ | 0.1 | 47 | 10 ⁽¹⁾ | mohm |
| Calibration | 104 | Data | 4 | CC Delta | F4 ⁽²⁾ | 4.7 | 188 | 10 ⁽¹⁾ | mohm |
| Calibration | 104 | Data | 8 | CC Offset | I2 | -2.4 | 2.4 | -0.088 ⁽¹⁾ | mV |
| Calibration | 104 | Data | 10 | ADC Offset | I2 | -500 | 500 | 0 | mV |
| Calibration | 104 | Data | 12 | Board Offset | I1 | -128 | 127 | 0 | mV |
| Calibration | 104 | Data | 13 | Int Temp Offset | I1 | -128 | 127 | 0 | 0.1°C |
| Calibration | 104 | Data | 14 | Ext Temp Offset | I1 | -128 | 127 | 0 | 0.1°C |
| Calibration | 104 | Data | 15 | Pack V Offset | I1 | -128 | 127 | 0 | mV |
| Calibration | 107 | Current | 1 | Deadband | U1 | 0 | 255 | 5 | mA |
| Security | 112 | Codes | 0 | Unseal Key 0 | H2 | 0x0000 | 0xffff | 0x3672 | – |
| Security | 112 | Codes | 2 | Unseal Key 1 | H2 | 0x0000 | 0xffff | 0x0414 | – |
| Security | 112 | Codes | 4 | Full-Access Key 0 | H2 | 0x0000 | 0xffff | 0xffff | – |
| Security | 112 | Codes | 6 | Full-Access Key 1 | H2 | 0x0000 | 0xffff | 0xffff | – |

(2) Not IEEE floating point.

5 FUNCTIONAL DESCRIPTION

5.1 FUEL GAUGING

The bq27505 measures the cell voltage, temperature, and current to determine battery SOC. The bq27505 monitors charge and discharge activity by sensing the voltage across a small-value resistor (5 mΩ to 20 mΩ typ.) between the SRP and SRN pins and in series with the cell. By integrating charge passing through the battery, the battery's SOC is adjusted during battery charge or discharge.

System-Side Impedance Track™ Fuel Gauge

SLUS924–APRIL 2009

www.ti.com

The total battery capacity is found by comparing states of charge before and after applying the load with the amount of charge passed. When an application load is applied, the impedance of the cell is measured by comparing the OCV obtained from a predefined function for present SOC with the measured voltage under load. Measurements of OCV and charge integration determine chemical state of charge and chemical capacity (Qmax). The initial Qmax values are taken from a cell manufacturers' data sheet multiplied by the number of parallel cells. It is also used for the value in **Design Capacity**. The bq27505 acquires and updates the battery-impedance profile during normal battery usage. It uses this profile, along with SOC and the Qmax value, to determine *FullChargeCapacity()* and *StateOfCharge()*, specifically for the present load and temperature. *FullChargeCapacity()* is reported as capacity available from a fully charged battery under the present load and temperature until *Voltage()* reaches the **Terminate Voltage**. *NominalAvailableCapacity()* and *FullAvailableCapacity()* are the uncompensated (no or light load) versions of *RemainingCapacity()* and *FullChargeCapacity()* respectively.

The bq27505 has two flags accessed by the *Flags()* function that warns when the battery's SOC has fallen to critical levels. When *RemainingCapacity()* falls below the first capacity threshold, specified in **SOC1 Set Threshold**, the *[SOC1] (State of Charge Initial)* flag is set. The flag is cleared once *RemainingCapacity()* rises above SOC1 Set Threshold. The bq27505's BAT_LOW pin automatically reflects the status of the *[SOC1]* flag. This flag is enabled when BL_INT bit in **Operation Configuration B** is set. All units are in mAh.

When *Voltage()* falls below the system shut down threshold voltage, **SysDown Set Volt Threshold**, the *[SYSDOWN]* flag is set, serving as a final warning to shut down the system. The SOC_INT also signals. When *Voltage()* rises above **SysDown Clear Voltage** and the *[SYSDOWN]* flag has already been set, the *[SYSDOWN]* flag is cleared. The SOC_INT also signals such change. All units are in mV.

When the voltage is discharged to **Final Voltage**, the **SOC will be set as 0**.

5.2 IMPEDANCE TRACK™ VARIABLES

The bq27505 has several data flash variables that permit the user to customize the Impedance Track™ algorithm for optimized performance. These variables are dependent upon the power characteristics of the application as well as the cell itself.

5.2.1 Load Mode

Load Mode is used to select either the constant-current or constant-power model for the Impedance Track™ algorithm as used in **Load Select** (see **Load Select**). When **Load Mode** is 0, the *Constant Current Model* is used (default). When 1, the *Constant Power Model* is used. The *[LDMD]* bit of CONTROL_STATUS reflects the status of **Load Mode**.

5.2.2 Load Select

Load Select defines the type of power or current model to be used to compute load-compensated capacity in the Impedance Track™ algorithm. If **Load Mode** = 0 (*Constant-Current*) then the options presented in [Table 5-1](#) are available.

Table 5-1. Constant-Current Model Used When Load Mode = 0

| LoadSelect Value | Current Model Used |
|------------------|---|
| 0 | Average discharge current from previous cycle: There is an internal register that records the average discharge current through each entire discharge cycle. The previous average is stored in this register. |
| 1(default) | Present average discharge current: This is the average discharge current from the beginning of this discharge cycle until present time. |
| 2 | Average current: based on AverageCurrent() |
| 3 | Current: based off of a low-pass-filtered version of AverageCurrent() ($\tau = 14$ s) |
| 4 | Design capacity / 5: C Rate based off of Design Capacity /5 or a C/5 rate in mA. |
| 5 | AtRate (mA): Use whatever current is in AtRate() |
| 6 | User_Rate-mA: Use the value in <i>User_Rate-mA</i> . This mode provides a completely user-configurable method. |

If **Load Mode** = 1 (*Constant Power*) then the following options shown in [Table 5-2](#) are available

Table 5-2. Constant-Power Model Used When Load Mode = 1

| LoadSelect Value | Power Model Used |
|------------------|---|
| 0 | Average discharge power from previous cycle: There is an internal register that records the average discharge power through each entire discharge cycle. The previous average is stored in this register. |
| 1 (default) | Present average discharge power: This is the average discharge power from the beginning of this discharge cycle until present time. |
| 2 | Average current × voltage: based off the AverageCurrent() and Voltage() . |
| 3 | Current × voltage: based off of a low-pass-filtered version of AverageCurrent() ($\tau=14$ s) and Voltage() |
| 4 | Design energy / 5: C Rate based off of Design Energy /5 or a C/5 rate in mA. |
| 5 | AtRate (10 mW): Use whatever value is in AtRate() . |
| 6 | User_Rate-10mW: Use the value in User_Rate-10mW . This mode provides a completely user-configurable method. |

5.2.3 Reserve Cap-mAh

Reserve Cap-mAh determines how much actual remaining capacity exists after reaching 0 **RemainingCapacity()**, before **Terminate Voltage** is reached. A no-load rate of compensation is applied to this reserve.

5.2.4 Reserve Cap-mWh

Reserve Cap-mWh determines how much actual remaining capacity exists after reaching 0 **AvailableEnergy()**, before **Terminate Voltage** is reached. A no-load rate of compensation is applied to this reserve capacity.

5.2.5 Dsg Current Threshold

This register is used as a threshold by many functions in the bq27505 to determine if actual discharge current is flowing into or out of the cell. The default for this register is in [Table 4-7](#), which should be sufficient for most applications. This threshold should be set low enough to be below any normal application load current but high enough to prevent noise or drift from affecting the measurement.

5.2.6 Chg Current Threshold

This register is used as a threshold by many functions in the bq27505 to determine if actual charge current is flowing into or out of the cell. The default for this register is in [Table 4-7](#), which should be sufficient for most applications. This threshold should be set low enough to be below any normal charge current but high enough to prevent noise or drift from affecting the measurement.

5.2.7 Quit Current, DSG Relax Time, CHG Relax Time, and Quit Relax Time

The **Quit Current** is used as part of the Impedance Track™ algorithm to determine when the bq27505 enters relaxation mode from a current-flowing mode in either the charge direction or the discharge direction. The value of **Quit Current** is set to a default value in [Table 4-7](#) and should be above the standby current of the system.

Either of the following criteria must be met to enter relaxation mode:

- $| \text{AverageCurrent}() | < | \text{Quit Current} |$ for **Dsg Relax Time**
- $| \text{AverageCurrent}() | < | \text{Quit Current} |$ for **Chg Relax Time**

After about 5 minutes in relaxation mode, the bq27505 attempts to take accurate OCV readings. An additional requirement of $dV/dt < 4 \mu\text{V/s}$ is required for the bq27505 to perform Qmax updates. These updates are used in the Impedance Track™ algorithms. It is critical that the battery voltage be relaxed during OCV readings to and that the current is not be higher than C/20 when attempting to go into relaxation mode.

Quit Relax Time specifies the minimum time required for **AverageCurrent()** to remain above the **QuitCurrent** threshold before exiting relaxation mode.

System-Side Impedance Track™ Fuel Gauge

SLUS924–APRIL 2009

www.ti.com

5.2.8 *Qmax 0 and Qmax 1*

Generically called *Qmax*, these dynamic variables contain the respective maximum chemical capacity of the active cell profiles, and are determined by comparing states of charge before and after applying the load with the amount of charge passed. They also correspond to capacity at a very low rate of discharge, such as the C/20 rate. For high accuracy, this value is periodically updated by the bq27505 during operation. Based on the battery cell capacity information, the initial value of chemical capacity should be entered in the **Qmax n** field for each default cell profile. The Impedance Track™ algorithm updates these values and maintains them the associated actual cell profiles.

5.2.9 *Update Status 0 and Update Status 1*

Bit 0 (0x01) of the **Update Status n** registers indicates that the bq27505 has learned new *Qmax* parameters and is accurate. The remaining bits are reserved. Bit 0 is user-configurable; however, it is also a status flag that can be set by the bq27505. Bit 0 should never be modified except when creating a golden image file as explained in the application note [Preparing Optimized Default Flash Constants for specific Battery Types \(SLUA334\)](#). Bit 0 is updated as needed by the bq27505.

5.2.10 *Avg I Last Run*

The bq27505 logs the current averaged from the beginning to the end of each discharge cycle. It stores this average current from the previous discharge cycle in this register. This register should not be modified. It is only updated by the bq27505 when required.

5.2.11 *Avg P Last Run*

The bq27505 logs the power averaged from the beginning to the end of each discharge cycle. It stores this average power from the previous discharge cycle in this register. To get a correct average power reading the bq27505 continuously multiplies instantaneous current times **Voltage()** to get power. It then logs this data to derive the average power. This register should not be modified. It is only updated by the bq27505 when required.

5.2.12 *Delta Voltage*

The bq27505 stores the maximum difference of **Voltage()** during short load spikes and normal load, so the Impedance Track™ algorithm can calculate remaining capacity for pulsed loads. It is not recommended to change this value.

5.2.13 *Default Ra and Ra Tables*

These tables contain encoded data and, with the exception of the **Default Ra Tables**, are automatically updated during device operation. No user changes should be made except for reading/writing the values from a pre-learned pack (part of the process for creating golden image files).

5.3 DETAILED PIN DESCRIPTION

5.3.1 *The Operation Configuration Register*

Some bq27505 pins are configured via the **Operation Configuration** data flash register, as indicated in [Table 5-3](#). This register is programmed/read via the methods described in [Section 4.2.1](#), Accessing the Data Flash. The register is located at subclass = 64, offset = 0.

Table 5-3. Operation Configuration Bit Definition

| | bit7 | bit6 | bit5 | bit4 | bit3 | bit2 | bit1 | bit0 |
|-----------|----------|----------|----------|----------|----------|----------|----------|-------|
| High byte | RESCAP | BATG_OVR | INT_BREM | PFC_CFG1 | PFC_CFG0 | IWAKE | RSNS1 | RSNS0 |
| Low byte | INT_FOCV | IDSELEN | SLEEP | RMFCC | SOCI_POL | BATG_POL | BATL_POL | TEMPS |

RESCAP = No-load rate of compensation is applied to the reserve capacity calculation. True when set. Default is 0.

BATG_OVR = BAT_GD override bit. If the gauge enters Hibernate only due to the cell voltage, the BAT_GD will not negate. True when set. Default is 0.

INT_BREM = Battery removal interrupt bit. The SOC_INT pulses 1ms when the battery removal interrupt is enabled. True when set. The default is 0.

PFC_CFG1/PFC_CFG0 = Pin function code (PFC) mode selection: PFC 0, 1, or 2 selected by 0/0, 0/1, or 1/0, respectively. Default is PFC 1 (0/1).

IWAKE/RSNS1/RSNS0 = These bits configure the current wake function (see [Table 5-6](#)). Default is 0/0/1.

INT_FOCV = Indication of the measurement of the OCV during the initialization. The SOC_INT will pulse during the first measurement if this bit is set. True when set. Default is 0.

IDSELEN = Enables cell profile selection feature. True when set. Default is 1.

SLEEP = The fuel gauge can enter sleep, if operating conditions allow. True when set. Default is 1.

RMFCC = RM is updated with the value from FCC, on valid charge termination. True when set. Default is 1.

SOCI_POL = SOC interrupt polarity is active-low. True when cleared. Default is 0.

BATG_POL = BAT_GD pin is active-low. True when cleared. Default is 0.

BATL_POL = BAT_LOW pin is active-high. True when set. Default is 1.

TEMPS = Selects external thermistor for *Temperature()* measurements. True when set. Default is 1.

Some bq27505 pins are configured via the **Operation Configuration B** data flash register, as indicated in [Table 5-4](#). This register is programmed/read via the methods described in Section 4.2.1: Accessing the Data Flash. The register is located at subclass = 64, offset = 9.

Table 5-4. Operation Configuration B Bit Definition

| bit7 | bit6 | bit5 | bit4 | bit3 | bit2 | bit1 | bit0 |
|--------|------|--------|--------|------------|-----------|------|------|
| WRTEMP | BIE | BL_INT | GNDSEL | BattGdlnit | DFWrIndBL | – | – |

WRTEMP = Enables the temperature write. The temperature could be written by the host. True when set. Default is 0.

BIE = Battery insertion detection enable. When the battery insertion detection is disabled, the gauge relies on the host command to set the BAT_DET bit. True when set. Default is 1.

BL_INT = Battery low interrupt enable. True when set. Default is 0.

GNDSEL = The ADC ground select control. The Vss (Pin D1) is selected as ground reference when the bit is clear. Pin A1 is selected when the bit is set. Default is 1.

BattGdlnit = BAT_GD will be asserted during the initialization. It is for application that needs the system be powered up ASAP. True when set. Default is 0.

DFWrIndBL = DataFlash Write Indication. SOC_INT is used for indication if the bit is clear. BAT_LOW is used for indication if the bit is set. Default is 0.

5.3.2 Pin Function Code Descriptions

The bq27505 has three possible pin-function variations that can be selected in accordance with the circuit architecture of the end application. Each variation has been assigned a pin function code, or PFC.

When the PFC is set to 0, only the bq27505 measures battery temperature under discharge and relaxation conditions. The charger does not receive any information from the bq27505 about the temperature readings, and therefore operates open-loop with respect to battery temperature.

A PFC of 1 is like a PFC of 0, except temperature is also monitored during battery charging. If charging temperature falls outside of the preset range defined in data flash, a charger can be disabled via the BAT_GD pin until cell temperature recovers. See [Section 5.6.2, Charge Inhibit and Suspend](#), for additional details.

Finally when the PFC is set to 2, the battery thermistor can be shared between the fuel gauge and the charger. The charger has full usage of the thermistor during battery charging, while the fuel gauge uses the thermistor exclusively during discharge and battery relaxation.

When PFC = 0 or 2, the bq27505 must be queried by the system in order to determine the battery temperature. At that time, the bq27505 samples the temperature. This saves battery energy when operating from battery, as periodic temperature updates are avoided during charging mode.

The PFC is specified in **Operation Configuration [PFC_CFG1, PFC_CFG0]**. The default is PFC = 1.

System-Side Impedance Track™ Fuel Gauge

SLUS924–APRIL 2009

www.ti.com

5.3.3 BAT_LOW Pin

The BAT_LOW pin provides a system processor with an electrical indicator of battery status. The signaling on the BAT_LOW pin follows the status of the [SOC1] bit in the *Flags()* register. Note that the polarity of the BAT_LOW pin can be inverted via the [BATL_POL] bit of *Operation Configuration*.

5.3.4 Power Path Control With the BAT_GD Pin

The bq27505 must operate in conjunction with other electronics in a system appliance, such as chargers or other ICs and application circuits that draw appreciable power. After a battery is inserted into the system, there should be no charging current or a discharging current higher than C/20, so that an accurate OCV can be read. The OCV is used for helping determine which battery profile to use, as it constitutes part of the battery impedance measurement

When a battery is inserted into a system, the Impedance Track™ algorithm requires that no charging of the battery takes place and that any discharge is limited to less than C/20—these conditions are sufficient for the fuel gauge to take an accurate OCV reading. To disable these functions, the BAT_GD pin is merely negated from the default setting. Once an OCV reading has been made, the BAT_GD pin is asserted, thereby enabling battery charging and regular discharge of the battery. The *Operation Configuration* [BATG_POL] bit can be used to set the polarity of the battery good signal, should the default configuration need to be changed.

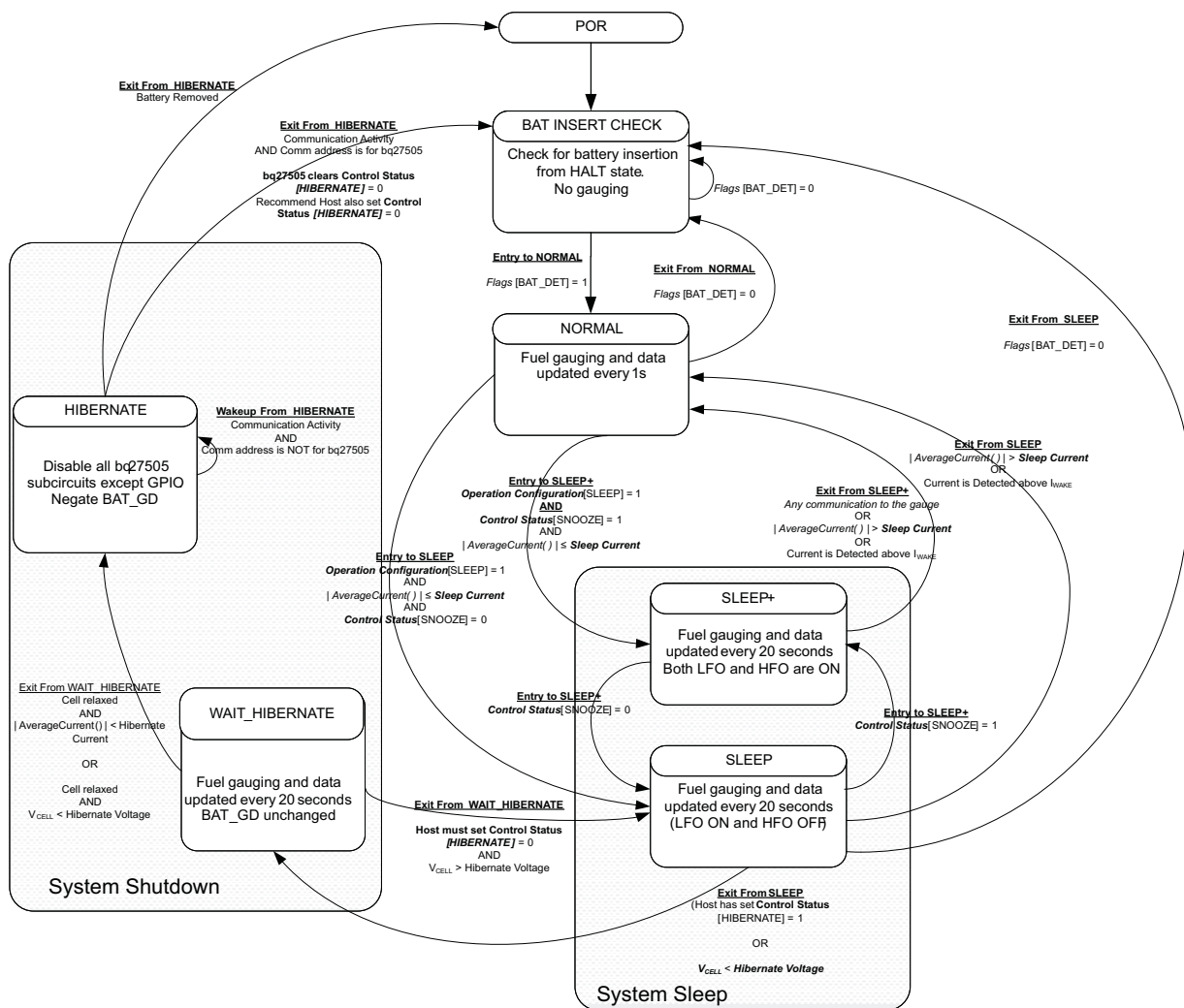


Figure 5-1. Power Mode Diagram

Figure 5-1 details how the BAT_GD pin functions in the context of battery insertion and removal, as well as NORMAL vs. SLEEP modes.

In PFC 1, the BAT_GD pin is also used to disable battery charging when the bq27505 reads battery temperatures outside the range defined by [**Charge Inhibit Temp Low, Charge Inhibit Temp High**]. The BAT_GD line is asserted once temperature falls within the range [**Charge Inhibit Temp Low + Temp Hys, Charge Inhibit Temp High – Temp Hys**].

5.3.5 Battery Detection Using the BI/TOUT Pin

During power-up or hibernate activities, or any other activity where the bq27505 needs to determine whether a battery is connected or not, the fuel gauge applies a test for battery presence. First, the BI/TOUT pin is put into high-Z status. The weak 1.8MΩ pull-up resistor will keep the pin high while no battery is present. When a battery is inserted (or is already inserted) into the system device, the BI/TOUT pin will be pulled low. This state is detected by the fuel gauge, which polls this pin every second when the gauge has power. A *battery-disconnected* status is assumed when the bq27505 reads a thermistor voltage that is near 2.5V.

5.3.6 SOC_INT pin

The SOC_INT pin generates a pulse with different pulse width under various conditions. Some features needs to be enabled by setting the Operation Config. In any given one second, only one SOC_INT pulse could be generated. In other words, the 1ms SOC_INT pulse could indicated multiple events generating the 1ms pulses.

Table 5-5. SOC_INT Pulse Condition and Width

| | Enable Condition | Pulse Width | Comment |
|------------------|--|--|--|
| SOC_Delta Point | SOC_Delta ≠ 0 | 1 ms | During charge, when the SOC is greater than (>) the points, 100% - n × SOC_Delta and 100%; During discharge, when the SOC reaches (≤) the points 100% - n × SOC_Delta and 0%; where n is an integer starting from 0 to the number generating SOC no less than 0% |
| SOC1 Set | Always | 1 ms | When RSOC reached the SOC1 Set or Clear threshold set in the Data Flash and BL_INT bit in Operation Configuration B is set. |
| SOC1 Clear | Always | 1 ms | |
| SysDown Set | Always | 1 ms | When the Battery Voltage reached the SysDown Set or Clear threshold set in the Data Flash |
| SysDown Clear | Always | 1 ms | |
| State Change | SOC_Delta ≠ 0 | 1 ms | When there is a state change including charging, discharging and relaxation. This function is disabled when SOC_Delta is set to 0. |
| Battery Removal | INT_BREM bit is set in OpConfig AND BIE bit is set | 1ms | This function is disabled when BIE is cleared. |
| OCV Command | After Initialization | About 165ms. Same as the OCV command execution time period | SOC_INT pulses for the OCV command after the initialization. |
| OCV Command | INT_FOCV bit is set in OpConfig | About 165ms. Same as the OCV command execution time period | This command is to generate the SOC_INT pulse during the initialization. |
| Data Flash Write | After Initialization AND DFWrIndWaitTime ≠ 0 | Programmable time plus flash erase and write time | SOC_INT is used to indicate the data flash update. The gauge will wait <i>DFWrIndWaitTime times 5μs</i> after the SOC_INT signal to start the data flash update. This function is disabled if DFWrIndWaitTime is set to 0. |

5.4 TEMPERATURE MEASUREMENT

The bq27505 measures battery temperature via its TS input, in order to supply battery temperature status information to the fuel gauging algorithm and charger-control sections of the gauge. Alternatively, it can also measure internal temperature via its on-chip temperature sensor, but only if the **[TEMPS]** bit of the **Operation Configuration** register is cleared. The **[GNDSSEL]** bit of Operation Configuration B register selects the ground reference of the ADC converter for temperature measurement.

Regardless of which sensor is used for measurement, a system processor can request the current battery temperature by calling the *Temperature()* function (see [Section 4.1.1, Standard Data Commands](#), for specific information).

The thermistor circuit requires the use of an external NTC 103AT-type thermistor. Additional circuit information for connecting this thermistor to the bq27505 is shown in [Section 8, Reference Schematic](#).

5.5 OVERTEMPERATURE INDICATION

5.5.1 Overtemperature: Charge

If during charging, *Temperature()* reaches the threshold of **OT Chg** for a period of **OT Chg Time** and *AverageCurrent()* > **Chg Current Threshold**, then the **[OTC]** bit of *Flags()* is set. When *Temperature()* falls to **OT Chg Recovery**, the **[OTC]** of *Flags()* is reset.

If **OT Chg Time** = 0, then the feature is completely disabled.

5.5.2 Overtemperature: Discharge

If during discharging, *Temperature()* reaches the threshold of **OT Dsg** for a period of **OT Dsg Time**, and *AverageCurrent()* ≤ **-Dsg Current Threshold**, then the **[OTD]** bit of *Flags()* is set. When *Temperature()* falls to **OT Dsg Recovery**, the **[OTD]** bit of *Flags()* is reset.

If **OT Dsg Time** = 0, then feature is completely disabled.

5.6 CHARGING AND CHARGE-TERMINATION INDICATION

5.6.1 Detecting Charge Termination

For proper bq27505 operation, the cell charging voltage must be specified by the user. The default value for this variable is **Charging Voltage** [Table 4-7](#).

The bq27505 detects charge termination when (1) during 2 consecutive periods of **Current Taper Window**, the *AverageCurrent()* is < **Taper Current**, (2) during the same periods, the accumulated change in capacity > Min Taper Charge / **Current Taper Window**, and (3) *Voltage()* > **Charging Voltage – Taper Voltage**. When this occurs, the **[CHG]** bit of *Flags()* is cleared. Also, if the **[RMFCC]** bit of **Operation Configuration** is set, then *RemainingCapacity()* is set equal to *FullChargeCapacity()*.

5.6.2 Charge Inhibit and Suspend

The bq27505 can indicate when battery temperature has fallen below or risen above predefined thresholds **Charge Inhibit Temp Low** or **Charge Inhibit Temp High**, respectively. In this mode, the **[CHG_INT]** bit is set and the **BAT_GD** pin is deserted to indicate this condition. The **[CHG_INT]** bit is cleared and the **BAT_GD** pin is asserted once the battery temperature returns to the range **[Charge Inhibit Temp Low + Temp Hys, Charge Inhibit Temp High – Temp Hys]**.

When **PFC** = 1, the bq27505 can indicate when battery temperature has fallen below or risen above predefined thresholds **Suspend Low Temp** or **Suspend High Temp**, respectively. In this mode, the **[XCHG]** bit is set to indicate this condition. The **[XCHG]** bit is cleared once the battery temperature returns to the range **[Charge Inhibit Temp Low + Temp Hys, Charge Inhibit Temp High – Temp Hys]**.

The charging should not start when the temperature is below the Charge Inhibit Temp Low or above the Charge Inhibit Temp High. The charging can continue if the charging starts inside the window [Charge Inhibit Temp Low, Charge Inhibit Temp High] until the temperature is either below Suspend Low Temp or above the Suspend Low Temp. Therefore, the window [Charge Inhibit Temp Low, Charge Inhibit Temp High] must be inside the window of [Suspend Low Temp, Suspend High Temp].

5.7 POWER MODES

The bq27505 has different power modes: BAT INSERT CHECK, NORMAL, SLEEP, SLEEP+ and HIBERNATE. In NORMAL mode, the bq27505 is fully powered and can execute any allowable task. In SLEEP+ mode, both low frequency and high frequency oscillators are active. Although the SLEEP+ has higher current consumption than the SLEEP mode, it is also a reduced power mode. In SLEEP mode, the fuel gauge turns off the high frequency oscillator and exists in a reduced-power state, periodically taking measurements and performing calculations. In HIBERNATE mode, the fuel gauge is in a very low power state, but can be woken up by communication or certain I/O activity. Finally, the BAT INSERT CHECK mode is a powered-up, but low-power halted, state, where the bq27505 resides when no battery is inserted into the system.

The relationship between these modes is shown in [Figure 5-1](#).

5.7.1 BAT INSERT CHECK Mode

This mode is a halted-CPU state that occurs when an adapter, or other power source, is present to power the bq27505 (and system), yet no battery has been detected. When battery insertion is detected, a series of initialization activities begin, which include: OCV measurement, setting the BAT_GD pin, and selecting the appropriate battery profiles.

Some commands, issued by a system processor, can be processed while the bq27505 is halted in this mode. The gauge will wake up to process the command, then return to the halted state awaiting battery insertion.

5.7.2 NORMAL MODE

The fuel gauge is in NORMAL mode when not in any other power mode. During this mode, *AverageCurrent()*, *Voltage()* and *Temperature()* measurements are taken, and the interface data set is updated. Decisions to change states are also made. This mode is exited by activating a different power mode.

Because the gauge consumes the most power in NORMAL mode, the Impedance Track™ algorithm minimizes the time the fuel gauge remains in this mode.

5.7.3 SLEEP MODE

SLEEP mode is entered automatically if the feature is enabled (**Operation Configuration [SLEEP] = 1**) and *AverageCurrent()* is below the programmable level **Sleep Current**. Once entry into SLEEP mode has been qualified, but prior to entering it, the bq27505 performs an coulomb counter autocalibration to minimize offset.

During SLEEP mode, the bq27505 periodically takes data measurements and updates its data set. However, a majority of its time is spent in an idle condition.

The bq27505 exits SLEEP if any entry condition is broken, specifically when (1) *AverageCurrent()* rises above **Sleep Current**, or (2) a current in excess of I_{WAKE} through R_{SENSE} is detected.

In the event that a battery is removed from the system while a charger is present (and powering the gauge), Impedance Track™ updates are not necessary. Hence, the fuel gauge enters a state that checks for battery insertion and does not continue executing the Impedance Track™ algorithm.

System-Side Impedance Track™ Fuel Gauge

SLUS924–APRIL 2009

www.ti.com

5.7.4 SLEEP+ MODE

Compared to the SLEEP mode, SLEEP+ mode has the high frequency oscillator in operation. The communication delay could be eliminated. The SLEEP+ is entered automatically if the feature is enabled (**CONTROL STATUS [SNOOZE]** = 1) and *AverageCurrent*() is below the programmable level **Sleep Current**.

During SLEEP+ mode, the bq27505 periodically takes data measurements and updates its data set. However, a majority of its time is spent in an idle condition.

The bq27505 exits SLEEP+ if any entry condition is broken, specifically when (1) any communication activity with the gauge, or (2) *AverageCurrent*() rises above **Sleep Current**, or (3) a current in excess of I_{WAKE} through R_{SENSE} is detected.

5.7.5 HIBERNATE MODE

HIBERNATE mode should be used when the system equipment needs to enter a low-power state, and minimal gauge power consumption is required. This mode is ideal when a system equipment is set to its own HIBERNATE, SHUTDOWN, or OFF modes.

Before the fuel gauge can enter HIBERNATE mode, the system must set the [**HIBERNATE**] bit of the CONTROL_STATUS register. The gauge waits to enter HIBERNATE mode until it has taken a valid OCV measurement and the magnitude of the average cell current has fallen below **Hibernate Current**. The gauge can also enter HIBERNATE mode if the cell voltage falls below **Hibernate Voltage** and a valid OCV measurement has been taken. The gauge will remain in HIBERNATE mode until the system issues a direct I²C command to the gauge or a POR occurs. I²C Communication that is not directed to the gauge will not wake the gauge.

It is important that BAT_GD be deserted status (no battery charging/discharging). This prevents a charger application from inadvertently charging the battery before an OCV reading can be taken. It is the system's responsibility to wake the bq27505 after it has gone into HIBERNATE mode. After waking, the gauge can proceed with the initialization of the battery information (OCV, profile selection, etc.)

5.8 POWER CONTROL

5.8.1 WAKE-UP COMPARATOR

The wake up comparator is used to indicate a change in cell current while the bq27505 is in SLEEP mode. **Operation Configuration** uses bits [**RSNS1–RSNS0**] to set the sense resistor selection. **Operation Configuration** also uses the [**IWAKE**] bit to select one of two possible voltage threshold ranges for the given sense resistor selection. An internal interrupt is generated when the threshold is breached in either the charge or discharge direction. Setting both [**RSNS1**] and [**RSNS0**] to 0 disables this feature.

Table 5-6. I_{WAKE} Threshold Settings⁽¹⁾

| RSNS1 | RSNS0 | I _{WAKE} | V _{th} (SRP–SRN) |
|-------|-------|-------------------|---------------------------|
| 0 | 0 | 0 | Disabled |
| 0 | 0 | 1 | Disabled |
| 0 | 1 | 0 | 1.0 mV or –1.0 mV |
| 0 | 1 | 1 | 2.2 mV or –2.2 mV |
| 1 | 0 | 0 | 2.2 mV or –2.2 mV |
| 1 | 0 | 1 | 4.6 mV or –4.6 mV |
| 1 | 1 | 0 | 4.6 mV or –4.6 mV |
| 1 | 1 | 1 | 9.8 mV or –9.8 mV |

(1) The actual resistance value vs the setting of the sense resistor is not important, just the actual voltage threshold when calculating the configuration. The voltage thresholds are typical values under room temperature.

5.8.2 FLASH UPDATES

Data Flash can only be updated if $Voltage() \geq \text{Flash Update OK Voltage}$. Flash programming current can cause an increase in LDO dropout. The value of **Flash Update OK Voltage** should be selected such that the bq27505 V_{CC} voltage does not fall below its minimum of 2.4 V during Flash write operations.

5.9 AUTOCALIBRATION

The bq27505 provides an autocalibration feature that measures the voltage offset error across SRP and SRN as operating conditions change. It subtracts the resulting offset error from normal sense resistor voltage, V_{SR}, for maximum measurement accuracy.

Autocalibration of the coulomb counter begins on entry to SLEEP mode, except if $Temperature() \leq 5^\circ\text{C}$ or $Temperature() \geq 45^\circ\text{C}$.

The fuel gauge also performs a single offset when (1) the condition of $AverageCurrent() \leq 100 \text{ mA}$ and (2) {voltage change since last offset calibration $\geq 256 \text{ mV}$ } or {temperature change since last offset calibration is greater than 80°C for $\geq 60 \text{ s}$ }.

Capacity and current measurements continue at the last measured rate during the offset calibration when these measurements cannot be performed. If the battery voltage drops more than 32 mV during the offset calibration, the load current has likely increased; hence, the offset calibration is aborted.

6 APPLICATION-SPECIFIC INFORMATION

6.1 BATTERY PROFILE STORAGE AND SELECTION

6.1.1 Common Profile Aspects

When a battery pack is removed from system equipment that implements the bq27505, the fuel gauge will maintain some of the battery information, if it is re-inserted. This way the Impedance Track™ algorithm will often have a means of recovering battery-status information; thereby, maintaining good state-of-charge (SOC) estimates.

Two default battery profiles are available to store battery information. They are used to provide the Impedance Track™ algorithm with the default information of the battery type expected to be used with the end-equipment. The bq27505 supports only one type of battery profile. This profile is stored in both the **Def0** and **Def1** profiles. Default profiles are programmed by the end-equipment manufacturer.

In addition to the default profiles, the bq27505 maintains two abbreviated profiles: *Pack0* and *Pack1*. These tables hold dynamic battery data, and keep track of the status for up to two of the most recent batteries used. In most cases the bq27505 can administrate information on two removable battery packs.

System-Side Impedance Track™ Fuel Gauge

SLUS924–APRIL 2009

www.ti.com

6.1.2 Activities Upon Pack Insertion

6.1.2.1 First OCV and Impedance Measurement

At power-up the BAT_GD pin is inactive, so that the system might not obtain power from the battery (this depends on actual implementation). In this state, the battery should be put in a condition with load current less than C/20. Next, the bq27505 measures its first open-circuit voltage (OCV) via the BAT pin. The [OCVCMDCOMP] bit will set once the OCV measurement is completed. Depending on the load current, the [OCVFAIL] bit indicates whether the OCV reading is valid. From the OCV(SOC) table, the SOC of the inserted battery is found. Then the BAT_GD pin is made active, and the impedance of the inserted battery is calculated from the measured voltage and the load current: $Z(\text{SOC}) = (\text{OCV}(\text{SOC}) - V) / I$. This impedance is compared with the impedance of the dynamic profiles, **Packn**, and the default profiles, **Defn**, for the same SOC (the letter *n* depicts either a **0** or **1**). The [INITCOMP] bit will be set afterwards and the OCV command could be issued

6.1.3 Reading Application Status

The **Application Status** data flash location contains cell profile status information, and can be read using the `ApplicationStatus()` extended command (0x6a). The bit configuration of this function/location is shown in [Table 6-1](#).

Table 6-1. ApplicationStatus() Bit Definitions.

| Application Configuration | bit7 | bit6 | bit5 | bit4 | bit3 | bit2 | bit1 | bit0 |
|---------------------------|------|------|------|------|------|------|------|---------|
| Byte | — | — | — | — | — | — | — | LU_PROF |

LU_PROF = Last profile used by fuel gauge. *Cell0* last used when cleared. *Cell1* last used when set. Default is 0.

6.2 APPLICATION-SPECIFIC FLOW AND CONTROL

The bq27505 supports only one type of battery profile. This profile is stored in both the **Def0** and **Def1** profiles. When a battery pack is inserted for the first time, the default profile is copied into the **Packn** profiles. Then the Impedance Track™ algorithm begins gas gauging, regularly updating **Packn** as the battery is used.

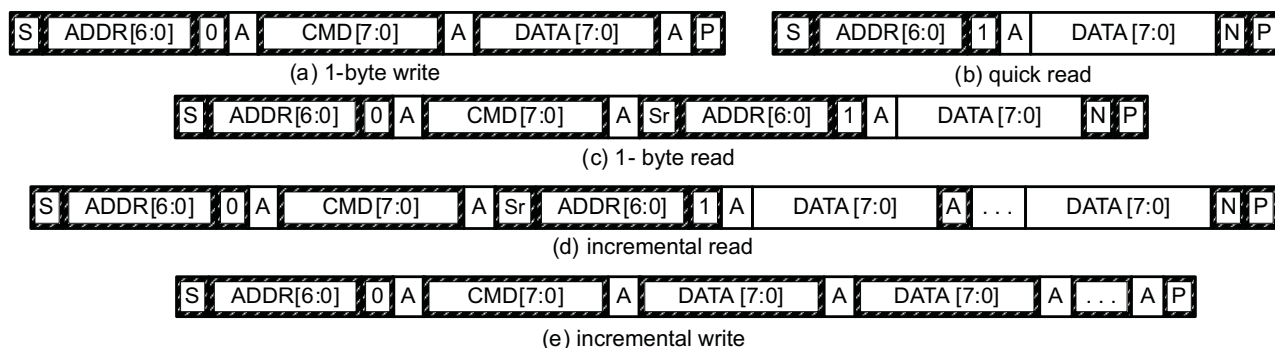
When an existing pack is removed from the bq27505 and a different (or same) pack is inserted, cell impedance is measured immediately after battery detection (see Section 6.1.2.1., *First OCV and Impedance Measurement*). The bq27505 chooses the profile which is closest to the measured impedance, starting with the **Packn** profiles. That is, if the measured impedance matches **Pack0**, then the **Pack0** profile is used. If the measured impedance matches **Pack1**, then the **Pack1** profile is used. If the measured impedance does not match the impedance stored in either **Pack0** or **Pack1**, the battery pack is deemed new (none of the previously used packs). Either **Def0/Def1** profile is copied into either the **Pack0** or **Pack1** profile, overwriting the oldest **Packn** profile.

7 COMMUNICATIONS

7.1 I²C INTERFACE

The 27505 supports the standard I²C read, incremental read, quick read, one byte write, and incremental write functions. The 7 bit device address (ADDR) is the most significant 7 bits of the hex address and is fixed as 1010101. The 8-bit device address will; therefore, be 0xAA or 0xAB for write or read, respectively.

 Host generated  bq27505 generated

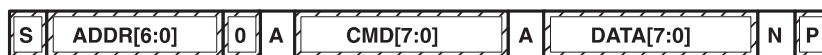


(S = Start, Sr = Repeated Start, A = Acknowledge, N = No Acknowledge, and P = Stop).

The “quick read” returns data at the address indicated by the address pointer. The address pointer, a register internal to the I²C communication engine, will increment whenever data is acknowledged by the bq27505 or the I²C master. “Quick writes” function in the same manner and are a convenient means of sending multiple bytes to consecutive command locations (such as two-byte commands that require two bytes of data)

The following command sequences are not supported:

Attempt to write a read-only address (NACK after data sent by master):



Attempt to read an address above 0x6B (NACK command):



System-Side Impedance Track™ Fuel Gauge

SLUS924–APRIL 2009

www.ti.com

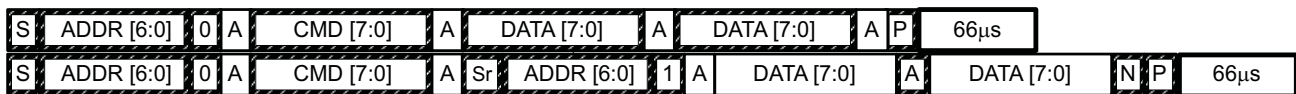
7.2 I²C Time Out

The I²C engine will release both SDA and SCL if the I²C bus is held low for the time defined by *I²C Timeout* times 0.5 second. If the bq27505 was holding the lines, releasing them will free for the master to drive the lines. If an external condition is holding either of the lines low, the I²C engine will enter the low power sleep mode.

7.3 I²C Command Waiting Time

To make sure the correct results of a command with the 400KHz I²C operation, a proper waiting time should be added between issuing command and reading results. For subcommands, the following diagram shows the waiting time required between issuing the control command the reading the status with the exception of checksum and OCV commands. A 100ms waiting time is required between the checksum command and reading result, and a 1.2 second waiting time is required between the OCV command and result. For read-write standard command, a minimum of 2 seconds is required to get the result updated. For read-only standard commands, there is no waiting time required, but the host should not issue all standard commands more than two times per second. Otherwise, the gauge could result in a reset issue due to the expiration of the watchdog timer.

The I²C clock stretch could happen in a typical application. A maximum 80ms clock stretch could be observed during the flash updates. There is up to 270ms clock stretch after the OCV command is issued.



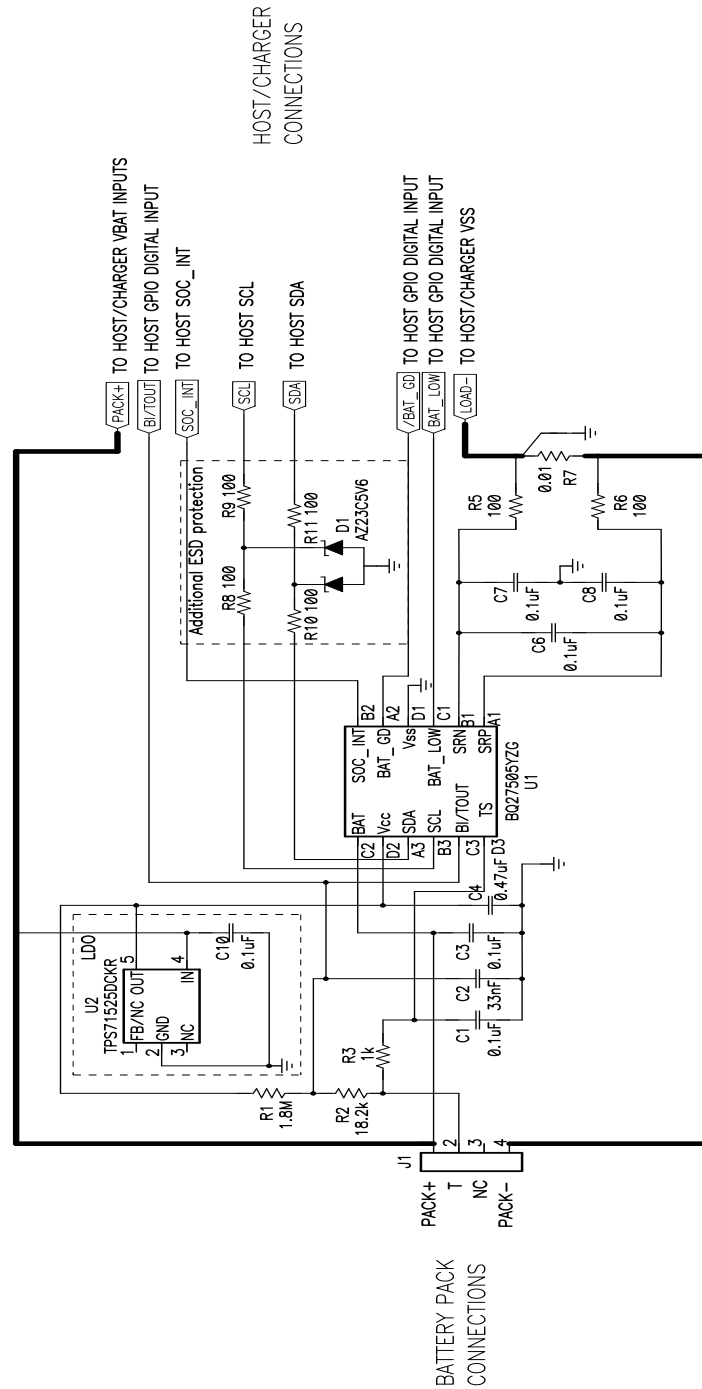
Waiting time between control subcommand and reading results



Waiting time between continuous reading results

8 REFERENCE SCHEMATICS

8.1 SCHEMATIC



PACKAGING INFORMATION

| Orderable Device | Status (1) | Package Type | Package Drawing | Pins | Package Qty | Eco Plan (2) | Lead/Ball Finish | MSL Peak Temp (3) | Op Temp (°C) | Top-Side Markings (4) | Samples |
|------------------|---------------|--------------|--------------------|------|-------------|----------------------------|------------------|----------------------|--------------|--------------------------|---------|
| BQ27505YZGR-J2 | NRND | DSBGA | YZG | 12 | 3000 | Green (RoHS & no Sb/Br) | SNAGCU | Level-1-260C-UNLIM | -40 to 85 | BQ27505 | |
| BQ27505YZGT-J2 | NRND | DSBGA | YZG | 12 | 250 | TBD | Call TI | Call TI | -40 to 85 | BQ27505 | |

(1) The marketing status values are defined as follows:

ACTIVE: Product device recommended for new designs.

LIFEBUY: TI has announced that the device will be discontinued, and a lifetime-buy period is in effect.

NRND: Not recommended for new designs. Device is in production to support existing customers, but TI does not recommend using this part in a new design.

PREVIEW: Device has been announced but is not in production. Samples may or may not be available.

OBSOLETE: TI has discontinued the production of the device.

(2) Eco Plan - The planned eco-friendly classification: Pb-Free (RoHS), Pb-Free (RoHS Exempt), or Green (RoHS & no Sb/Br) - please check <http://www.ti.com/productcontent> for the latest availability information and additional product content details.

TBD: The Pb-Free/Green conversion plan has not been defined.

Pb-Free (RoHS): TI's terms "Lead-Free" or "Pb-Free" mean semiconductor products that are compatible with the current RoHS requirements for all 6 substances, including the requirement that lead not exceed 0.1% by weight in homogeneous materials. Where designed to be soldered at high temperatures, TI Pb-Free products are suitable for use in specified lead-free processes.

Pb-Free (RoHS Exempt): This component has a RoHS exemption for either 1) lead-based flip-chip solder bumps used between the die and package, or 2) lead-based die adhesive used between the die and leadframe. The component is otherwise considered Pb-Free (RoHS compatible) as defined above.

Green (RoHS & no Sb/Br): TI defines "Green" to mean Pb-Free (RoHS compatible), and free of Bromine (Br) and Antimony (Sb) based flame retardants (Br or Sb do not exceed 0.1% by weight in homogeneous material)

(3) MSL, Peak Temp. -- The Moisture Sensitivity Level rating according to the JEDEC industry standard classifications, and peak solder temperature.

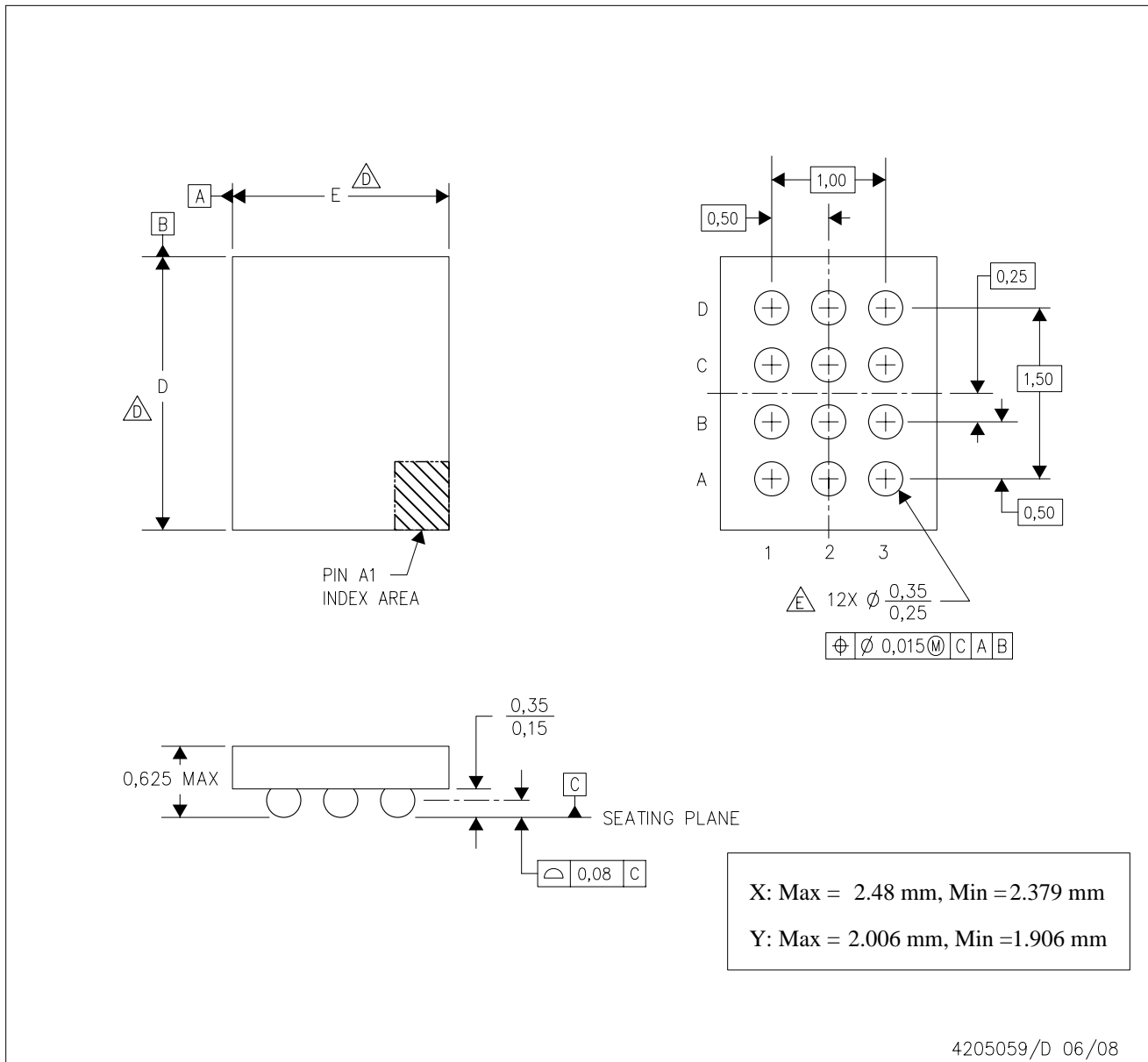
(4) Only one of markings shown within the brackets will appear on the physical device.

Important Information and Disclaimer: The information provided on this page represents TI's knowledge and belief as of the date that it is provided. TI bases its knowledge and belief on information provided by third parties, and makes no representation or warranty as to the accuracy of such information. Efforts are underway to better integrate information from third parties. TI has taken and continues to take reasonable steps to provide representative and accurate information but may not have conducted destructive testing or chemical analysis on incoming materials and chemicals. TI and TI suppliers consider certain information to be proprietary, and thus CAS numbers and other limited information may not be available for release.

In no event shall TI's liability arising out of such information exceed the total purchase price of the TI part(s) at issue in this document sold by TI to Customer on an annual basis.

YZG (R-XBGA-N12)

DIE-SIZE BALL GRID ARRAY



- NOTES:
- A. All linear dimensions are in millimeters.
 - B. This drawing is subject to change without notice.
 - C. NanoFree™ package configuration.
 - $\triangle D$ Devices in YZG package can have dimension D ranging from 1.94 to 2.65 mm and dimension E ranging from 1.44 to 2.15 mm. To determine the exact package size of a particular device, refer to the device datasheet or contact a local TI representative.
 - E. Reference Product Data Sheet for array population.
4 x 3 matrix pattern is shown for illustration only.
 - F. This package contains lead-free balls.
Refer to YEG (Drawing #4204182) for tin-lead (SnPb) balls.

NanoFree is a trademark of Texas Instruments.

IMPORTANT NOTICE

Texas Instruments Incorporated and its subsidiaries (TI) reserve the right to make corrections, enhancements, improvements and other changes to its semiconductor products and services per JESD46, latest issue, and to discontinue any product or service per JESD48, latest issue. Buyers should obtain the latest relevant information before placing orders and should verify that such information is current and complete. All semiconductor products (also referred to herein as "components") are sold subject to TI's terms and conditions of sale supplied at the time of order acknowledgment.

TI warrants performance of its components to the specifications applicable at the time of sale, in accordance with the warranty in TI's terms and conditions of sale of semiconductor products. Testing and other quality control techniques are used to the extent TI deems necessary to support this warranty. Except where mandated by applicable law, testing of all parameters of each component is not necessarily performed.

TI assumes no liability for applications assistance or the design of Buyers' products. Buyers are responsible for their products and applications using TI components. To minimize the risks associated with Buyers' products and applications, Buyers should provide adequate design and operating safeguards.

TI does not warrant or represent that any license, either express or implied, is granted under any patent right, copyright, mask work right, or other intellectual property right relating to any combination, machine, or process in which TI components or services are used. Information published by TI regarding third-party products or services does not constitute a license to use such products or services or a warranty or endorsement thereof. Use of such information may require a license from a third party under the patents or other intellectual property of the third party, or a license from TI under the patents or other intellectual property of TI.

Reproduction of significant portions of TI information in TI data books or data sheets is permissible only if reproduction is without alteration and is accompanied by all associated warranties, conditions, limitations, and notices. TI is not responsible or liable for such altered documentation. Information of third parties may be subject to additional restrictions.

Resale of TI components or services with statements different from or beyond the parameters stated by TI for that component or service voids all express and any implied warranties for the associated TI component or service and is an unfair and deceptive business practice. TI is not responsible or liable for any such statements.

Buyer acknowledges and agrees that it is solely responsible for compliance with all legal, regulatory and safety-related requirements concerning its products, and any use of TI components in its applications, notwithstanding any applications-related information or support that may be provided by TI. Buyer represents and agrees that it has all the necessary expertise to create and implement safeguards which anticipate dangerous consequences of failures, monitor failures and their consequences, lessen the likelihood of failures that might cause harm and take appropriate remedial actions. Buyer will fully indemnify TI and its representatives against any damages arising out of the use of any TI components in safety-critical applications.

In some cases, TI components may be promoted specifically to facilitate safety-related applications. With such components, TI's goal is to help enable customers to design and create their own end-product solutions that meet applicable functional safety standards and requirements. Nonetheless, such components are subject to these terms.

No TI components are authorized for use in FDA Class III (or similar life-critical medical equipment) unless authorized officers of the parties have executed a special agreement specifically governing such use.

Only those TI components which TI has specifically designated as military grade or "enhanced plastic" are designed and intended for use in military/aerospace applications or environments. Buyer acknowledges and agrees that any military or aerospace use of TI components which have **not** been so designated is solely at the Buyer's risk, and that Buyer is solely responsible for compliance with all legal and regulatory requirements in connection with such use.

TI has specifically designated certain components as meeting ISO/TS16949 requirements, mainly for automotive use. In any case of use of non-designated products, TI will not be responsible for any failure to meet ISO/TS16949.

Products

| | |
|------------------------------|--|
| Audio | www.ti.com/audio |
| Amplifiers | amplifier.ti.com |
| Data Converters | dataconverter.ti.com |
| DLP® Products | www.dlp.com |
| DSP | dsp.ti.com |
| Clocks and Timers | www.ti.com/clocks |
| Interface | interface.ti.com |
| Logic | logic.ti.com |
| Power Mgmt | power.ti.com |
| Microcontrollers | microcontroller.ti.com |
| RFID | www.ti-rfid.com |
| OMAP Applications Processors | www.ti.com/omap |
| Wireless Connectivity | www.ti.com/wirelessconnectivity |

Applications

| | |
|-------------------------------|--|
| Automotive and Transportation | www.ti.com/automotive |
| Communications and Telecom | www.ti.com/communications |
| Computers and Peripherals | www.ti.com/computers |
| Consumer Electronics | www.ti.com/consumer-apps |
| Energy and Lighting | www.ti.com/energy |
| Industrial | www.ti.com/industrial |
| Medical | www.ti.com/medical |
| Security | www.ti.com/security |
| Space, Avionics and Defense | www.ti.com/space-avionics-defense |
| Video and Imaging | www.ti.com/video |

TI E2E Community

e2e.ti.com