

April 1994

## Dual Full Bridge Driver

### Features

- Two Full Bridge Drivers
- $\pm 150\text{mA}$  Maximum Current
- Logic Controlled Switching
- Direction Control
- PWM  $I_{\text{OUT}}$  Control
- 18V Over-Voltage Protection
- 300mA Short-Circuit Protection
- Nominal 8V to 16V Operation
- Internal Voltage Regulation With Bandgap Reference

### Applications

- Dual Full Bridge Driver For Air Core Gauge Instrumentation
- $\mu\text{P}$  Controlled Sensor Data Displays
- Speedometer Displays
- Tachometer Displays
- Stepper Motors
- Slave Position Indicators

### Description

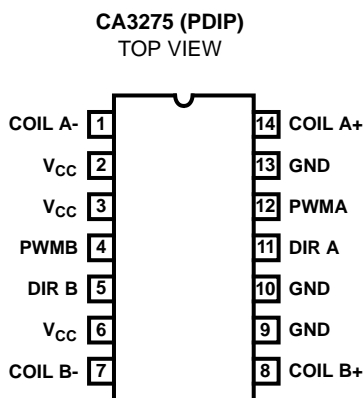
The CA3275 Dual Full Bridge Driver is intended for general-purpose applications requiring Dual Full Bridge drive or switching, including direction and pulse-width modulation for position control. While all features of the IC may not be utilized or required, they would normally be used in instrumentation systems with quadrature coils, such as air-core gauges, where the coils would be driven at frequencies ranging from 200Hz to 400Hz. The coils are wrapped at 90° angles for independent direction control. Coils wound in this physical configuration are controlled by pulse width modulation, where each coil drive is a function of the sine or cosine versus degrees of movement. The direction control is used to change the direction of the current in the H-Driver coil.

The switch rate capability of the IC is typically 30kHz regardless of the inductive load. Over-current limiting is used to limit short circuit current. Over-voltage protection (in the range of 18V to 24V) causes the device to shut down the output current drive. Thermal shutdown limits power dissipation on the chip. The CA3275 is supplied in a 14 lead dual-in-line plastic package.

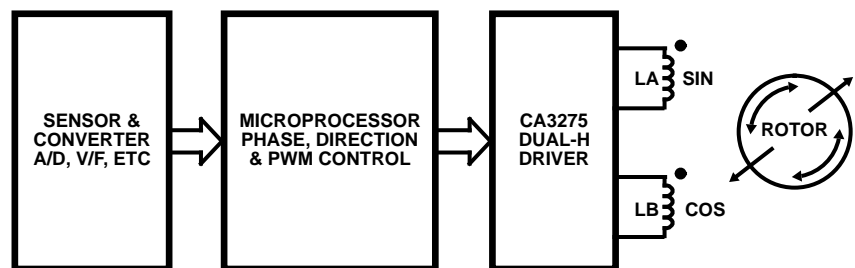
### Ordering Information

PART NO.	TEMPERATURE	PACKAGE
CA3275E	-40°C to +85°C	14 Lead Plastic DIP

### Pinout



### Block Diagram



## Specifications CA3275

### Absolute Maximum Ratings

Operating $V_{CC}$ .....	16V
Transient $V_{CC}$ , 30 Seconds Maximum .....	24V
Peak $V_{CC}$ , 0.4 Seconds Maximum .....	40V
Maximum Continuous Output Current, .....	$\pm 100$ mA
Each Drive	
Maximum PWM Output Switching Current, .....	$\pm 150$ mA
Each Drive	

### Thermal Information

Thermal Resistance	$\theta_{JA}$
PDIP Package .....	100°C/W
Power Dissipation, $P_D$	
Up to +70°C .....	800mW
Above +70°C .....	Derate Linearly at 10mW/°C
Ambient Temperature Range	
Operating .....	-40°C to +85°C
Storage .....	-55°C to +150°C
Lead Temperature (During Soldering) .....	+265°C
At distance 1/16" $\pm$ 1/32" (1.59 $\pm$ 0.79mm) from case for	10s max

*CAUTION: Stresses above those listed in "Absolute Maximum Ratings" may cause permanent damage to the device. This is a stress only rating and operation of the device at these or any other conditions above those indicated in the operational sections of this specification is not implied.*

### Electrical Specifications $T_A = -40^\circ\text{C}$ to $+85^\circ\text{C}$ , $V_{CC} = 16\text{V}$ Unless Otherwise Specified

PARAMETERS	SYMBOL	MIN	TYP	MAX	UNITS
Operating Supply Voltage Range	$V_{CC}$	8	-	16	V
Supply Current (Note 1)	$I_{CC}$	-	8	20	mA
INPUT LEVELS					
Logic Input, Low Voltage	$V_{IL}$	-	-	0.8	V
Logic Input, High Voltage	$V_{IH}$	3.5	-	-	V
Logic Input, Low Current, $V_{IL} = 0\text{V}$	$I_{IL}$	-10	-	-	$\mu\text{A}$
Logic Input, High Current, $V_{IH} = 5\text{V}$	$I_{IH}$	-	-	10	$\mu\text{A}$
OUTPUT: $R_{LA} = R_{LB} = 138\Omega$					
Maximum Source Saturated Voltage	$V_{SAT} - \text{High}$	-	1.2	1.75	V
Maximum Sink Saturated Voltage	$V_{SAT} - \text{Low}$	-	0.25	0.5	V
Differential $V_{SAT}$ Voltage, Both Outputs Saturated	Diff - $V_{SAT}$	-	10	100	mV

### Switching Specifications

PARAMETERS	SYMBOL	MIN	TYP	MAX	UNITS
SOURCE CURRENT (See Figure 3)					
Turn-Off Delay	$T_{SC-OFF}$	-	-	2	$\mu\text{s}$
Fall Time	$T_{SC-F}$	-	-	2.2	$\mu\text{s}$
Turn-On Time	$T_{SC-ON}$	-	-	1	$\mu\text{s}$
Rise Time	$T_{SC-R}$	-	-	0.4	$\mu\text{s}$
SINK CURRENT (See Figure 4)					
Turn-Off Delay	$T_{SK-OFF}$	-	-	1.6	$\mu\text{s}$
Fall Time	$T_{SK-F}$	-	-	0.4	$\mu\text{s}$
Turn-On Time	$T_{SK-ON}$	-	-	0.6	$\mu\text{s}$
Rise Time	$T_{SK-R}$	-	-	0.2	$\mu\text{s}$

NOTE:

1. No load,  $PWMA = PWMB = 5\text{V}$ ,  $DIR A = DIR B = 0\text{V}$

# CA3275

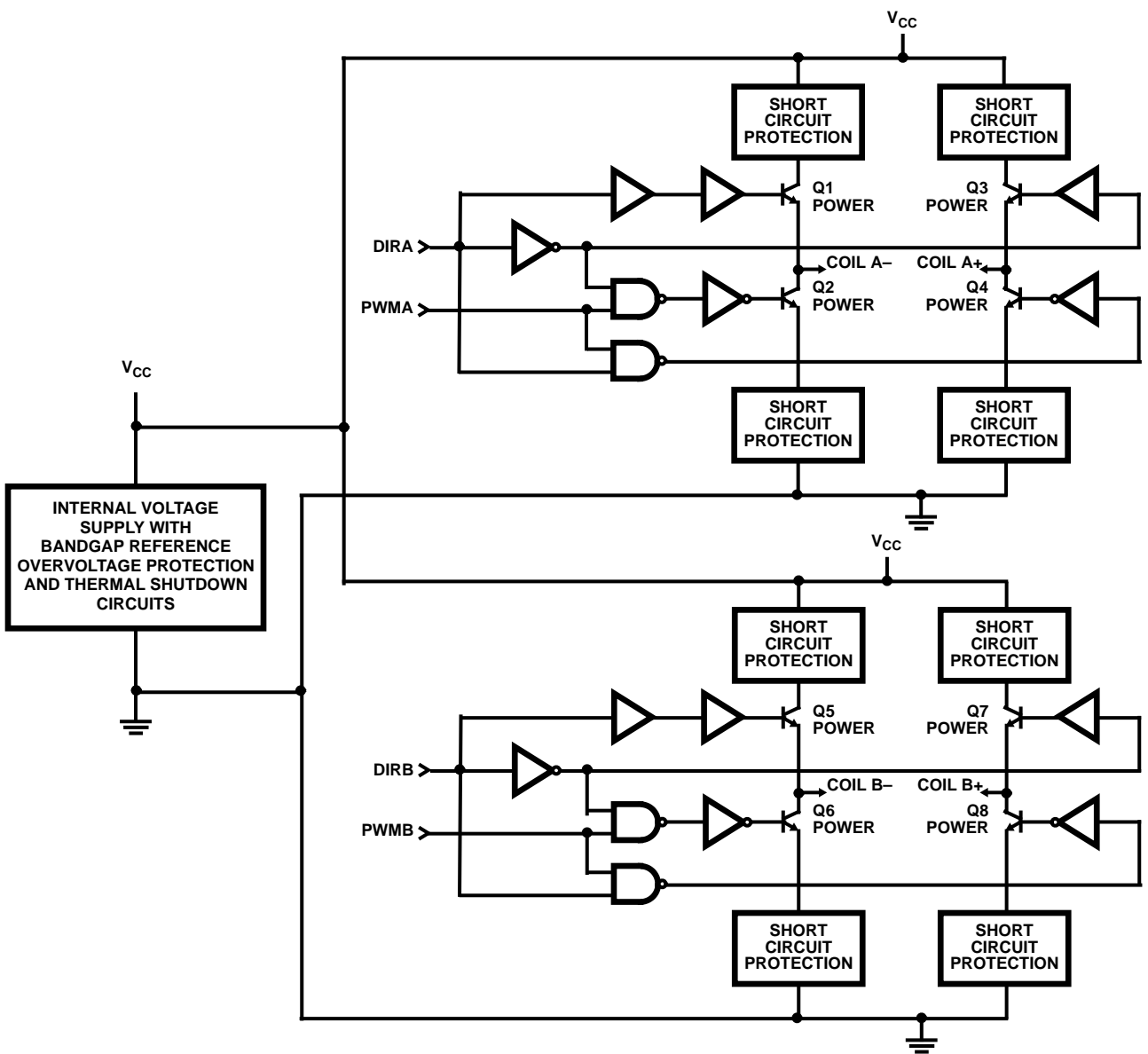


FIGURE 1. CA3275 DUAL FULL BRIDGE DRIVER SCHEMATIC

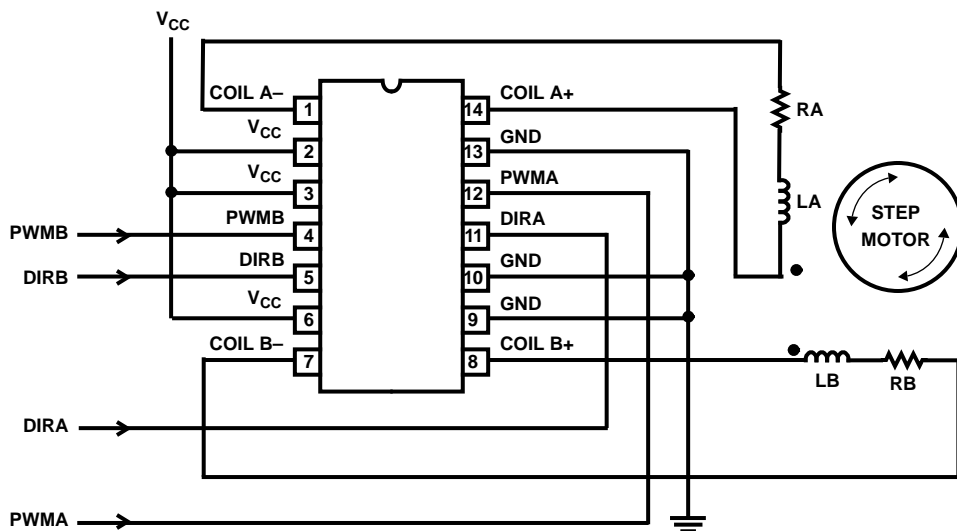


FIGURE 2. QUADRATURE STEP-MOTOR APPLICATION SCHEMATIC

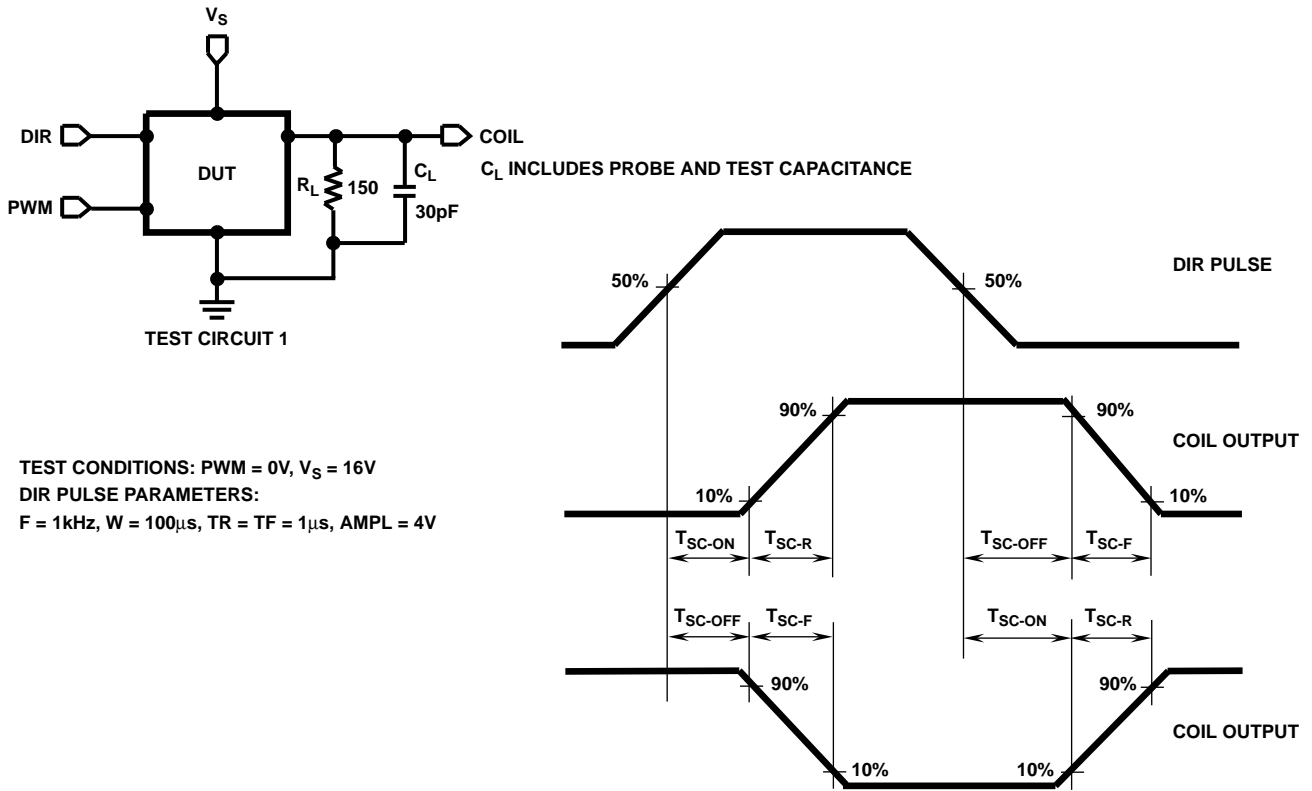


FIGURE 3. SOURCE SWITCHING TEST CIRCUIT AND VOLTAGE WAVEFORMS

TEST CONDITIONS:  $V_S = 16V$   
 DIR = 0V WHEN TESTING COIL - OUTPUT  
 DIR = 4V WHEN TESTING COIL + OUTPUT

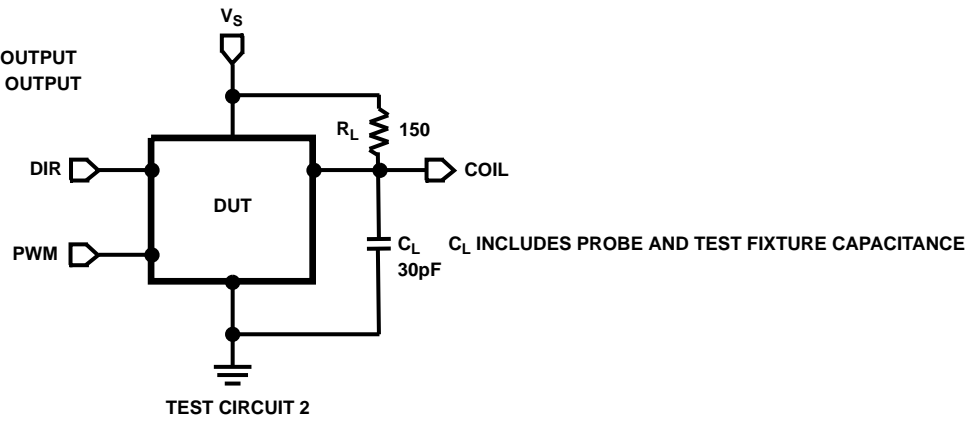


FIGURE 4. SINK SWITCHING TEST CIRCUIT AND VOLTAGE WAVEFORMS