

4Mb Late Write HSTL High Speed Synchronous SRAM (256K x 18 Organization)

Description

The CXK77B1840 is a high speed BiCMOS synchronous static RAM with common I/O pins, organized as 262,144-words by 18-bits. This synchronous SRAM integrates input registers, high speed RAM, output registers/latches, and a one-deep write buffer onto a single monolithic IC. Four different read protocols - Register-Register (R-R), Register-Latch (R-L), Register-Flow Thru (R-FT), and Dual Clock (DC), and an enhanced write protocol - Late (Delayed) Write (LW), are supported, providing a flexible, high-performance user interface.

All input signals except \overline{G} (Output Enable) and ZZ (Sleep Mode) are registered on the positive edge of K clock.

Read cycles can be controlled in one of four ways - with registered outputs in Register-Register mode, with latched outputs in Register-Latch mode, with flow-through outputs in Register-Flow Thru mode, or with registered outputs using a dedicated output control clock (C clock) in Dual Clock mode. The read protocol is user-selectable through external mode pins M1 and M2.

Write cycles follow a Late Write protocol, where data is provided to the SRAM one clock cycle after the address and control signals, eliminating one dead cycle from Read-to-Write transitions. In this scheme, when a write cycle is initiated, the address and data stored in the SRAM's write buffer during the previous write cycle are directed to the SRAM's memory core, while, simultaneously, the address and data from the current write cycle are stored in the SRAM's write buffer. In both Register-Latch and Register-Flow Thru modes, when \overline{SW} (Global Write Enable) is driven active, the subsequent positive edge of K clock tristates the SRAM's output drivers immediately, allowing consecutive Read-Write-Read operations. The write cycle is internally self-timed, which eliminates complex off-chip write pulse generation and provides increased flexibility for incoming signals.

The output drivers are series terminated, and the output impedance is programmable through an external impedance matching resistor RQ. By connecting RQ between ZQ and V_{SS} , the output impedance of all 18 DQ pins can be precisely controlled.

Sleep (power down) mode control is provided through the asynchronous ZZ input. 250 MHz operation is obtained from a single 3.3V power supply. JTAG boundary scan interface is provided using a subset of IEEE standard 1149.1 protocol.

Features

	R-R Mode	R-L, R-FT Modes	**DC Mode**
• Fast Cycle/Access Time	t_{KHKH} / t_{KHQV}	t_{KHKH} / t_{KHQV}	t_{KHKH} / t_{KHQV}
CXK77B1840 -4A	4.0ns / 2.3ns	4.8ns / 4.8ns	4.0ns / 5.2ns
-4	4.0ns / 2.3ns	5.3ns / 5.3ns	4.0ns / 5.2ns
-45A	4.0ns / 2.3ns	5.3ns / 5.3ns	4.5ns / 6.0ns
-45	5.0ns / 2.5ns	6.5ns / 6.5ns	4.5ns / 6.5ns

Note: Contact Sony Memory Marketing for availability of DC mode functionality.

- 4 synchronous modes of operation, selectable by mode pins:
Register-Register; Register-Latch; Register-Flow Thru; Dual Clock
- Single +3.3V power supply: $3.3V \pm 5\%$
- Dedicated output supply voltage: V_{DDQ} (1.5V typical)
- Inputs and outputs are HSTL / extended HSTL compatible.
- Differential clock input (K/ \overline{K} , C/ \overline{C}).
- All inputs (except asynchronous \overline{G} and ZZ) and outputs are registered on a single clock edge.
- Byte Write capability.
- Late Write scheme to eliminate one dead cycle from Read-to-Write transitions.
- Self-timed write cycles.
- Sleep (power down) mode.
- JTAG boundary scan (subset of IEEE standard 1149.1).
- 119 pin (7x17) Plastic Ball Grid Array (PBGA) package.

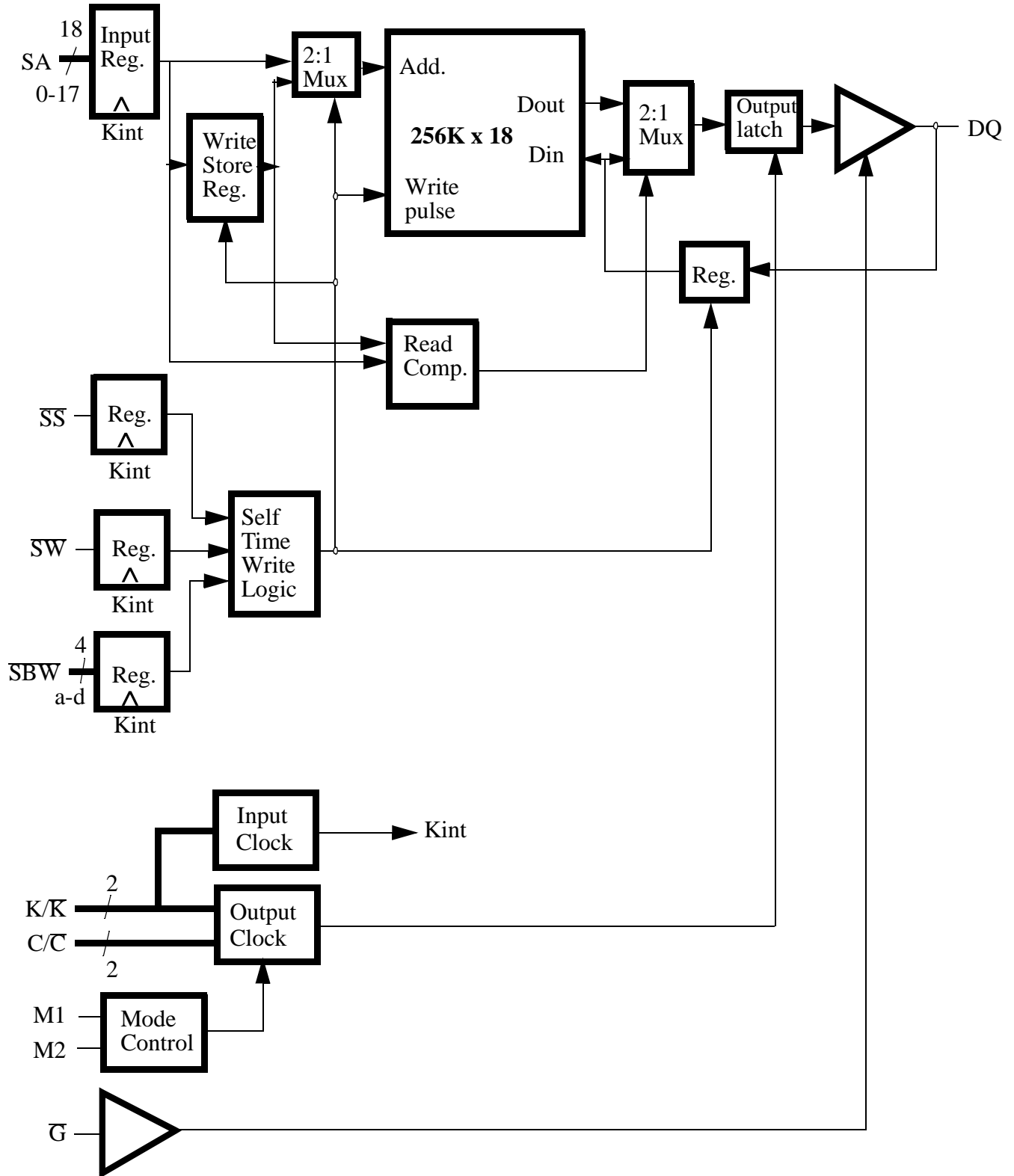
Pin Configuration (Top View)

	1	2	3	4	5	6	7
A	V _{DDQ}	SA6	SA7	NC	SA3	SA2	V _{DDQ}
B	NC	NC	SA8	NC	SA4	NC	NC
C	NC	SA12	SA5	V _{DD}	SA0	SA13	NC
D	DQ0b	NC	V _{SS}	ZQ	V _{SS}	DQ8a	NC
E	NC	DQ1b	V _{SS}	\overline{SS}	V _{SS}	NC	DQ7a
F	V _{DDQ}	NC	V _{SS}	\overline{G}	V _{SS}	DQ6a	V _{DDQ}
G	NC	DQ2b	\overline{SBWb}	\overline{C}	V _{SS}	NC	DQ5a
H	DQ3b	NC	V _{SS}	C	V _{SS}	DQ4a	NC
J	V _{DDQ}	V _{DD}	V _{REF}	V _{DD}	V _{REF}	V _{DD}	V _{DDQ}
K	NC	DQ4b	V _{SS}	K	V _{SS}	NC	DQ3a
L	DQ5b	NC	V _{SS}	\overline{K}	\overline{SBWa}	DQ2a	NC
M	V _{DDQ}	DQ6b	V _{SS}	\overline{SW}	V _{SS}	NC	V _{DDQ}
N	DQ7b	NC	V _{SS}	SA14	V _{SS}	DQ1a	NC
P	NC	DQ8b	V _{SS}	SA11	V _{SS}	NC	DQ0a
R	NC	SA10	M1	V _{DD}	M2	SA15	NC
T	NC	SA17	SA9	NC	SA1	SA16	ZZ
U	V _{DDQ}	TMS	TDI	TCK	TDO	NC	V _{DDQ}

Pin Description

Symbol	Description	Symbol	Description	Symbol	Description
SA	Address Input (0-17)	\overline{G}	Async. Output Enable	V _{DDQ}	Output Power Supply
DQ	Data I/O (0-8), Bytes a,b	ZZ	Async. Sleep Mode	V _{SS}	Ground
K, \overline{K}	Differential Input Clocks	TCK	JTAG Clock (LVTTTL)	V _{REF}	Input Reference Voltage
C, \overline{C}	Differential Output Control Clocks	TMS	JTAG Mode Select (LVTTTL)	ZQ	Output Impedance Control Resistor Input
\overline{SW}	Write Enable, Global	TDI	JTAG Data In (LVTTTL)	M1,M2	Mode Select
\overline{SBWx}	Write Enable, Bytes a,b	TDO	JTAG Data Out (LVTTTL)	NC	No Connect
\overline{SS}	Synchronous Select	V _{DD}	+3.3V Power Supply		

BLOCK DIAGRAM



•Truth Tables

Register - Register Mode

ZZ	SS (t_n)	SW (t_n)	SBW _x (t_n)	\bar{G}	Mode	DQ ₀₋₁₇ (t_n)	DQ ₀₋₁₇ (t_{n+1})	V _{DD} Current
H	X	X	X	X	Sleep Mode. Power Down	Hi - Z	Hi - Z	I _{SB}
L	H	X	X	X	Deselect	X	Hi - Z	I _{DD}
L	L	H	X	H	Read	Hi - Z	Hi - Z	I _{DD}
L	L	H	X	L	Read	X	Q(t_n)	I _{DD}
L	L	L	L	X	Write All Bytes (Bits 0-17)	X	D(t_n)	I _{DD}
L	L	L	X	X	Write Bytes With SBW _x =L	X	D(t_n)	I _{DD}
L	L	L	H	X	Abort Write	X	Hi - Z	I _{DD}

Register - Latch and Register - Flow Thru Mode

ZZ	SS (t_n)	SW (t_n)	SBW _x (t_n)	\bar{G}	Mode	DQ ₀₋₁₇ (t_n)	DQ ₀₋₁₇ (t_{n+1})	V _{DD} Current
H	X	X	X	X	Sleep Mode. Power Down	Hi - Z	Hi - Z	I _{SB}
L	H	X	X	X	Deselect	Hi - Z	X	I _{DD}
L	L	H	X	H	Read	Hi - Z	Hi - Z	I _{DD}
L	L	H	X	L	Read	Q(t_n)	X	I _{DD}
L	L	L	L	X	Write All Bytes (Bits 0-17)	Hi - Z	D(t_n)	I _{DD}
L	L	L	X	X	Write Bytes With SBW _x =L	Hi - Z	D(t_n)	I _{DD}
L	L	L	H	X	Abort Write	Hi - Z	X	I _{DD}

Dual Clock Mode

ZZ	SS (t_n)	SW (t_n)	SBW _x (t_n)	\bar{G}	Mode	DQ ₀₋₁₇ (t_n)	DQ ₀₋₁₇ (t_{n+1})	V _{DD} Current
H	X	X	X	X	Sleep Mode. Power Down	Hi - Z	Hi - Z	I _{SB}
L	H	X	X	X	Deselect	Hi - Z	X	I _{DD}
L	L	H	X	H	Read	Hi - Z	Hi - Z	I _{DD}
L	L	H	X	L	Read	Q(t_n)	X	I _{DD}
L	L	L	L	X	Write All Bytes (Bits 0-17)	Hi - Z	D(t_n)	I _{DD}
L	L	L	X	X	Write Bytes With SBW _x =L	Hi - Z	D(t_n)	I _{DD}
L	L	L	H	X	Abort Write	Hi - Z	Hi - Z	I _{DD}

•Mode Select

This device supports four different JEDEC standard read protocols via mode pins M1 and M2. The mode pins must be set during power-up and cannot change during SRAM operation.

Mode Select Truth Table.

	M1	M2
Register-Register	L	H
Register-Flow Thru	L	L
Register-Latch	H	L
Dual Clock	H	H

•Power-Up Sequence

Power supplies must power up in the following sequence: V_{SS} , V_{DD} , V_{DDQ} , V_{REF} , and Inputs. V_{DDQ} must never exceed V_{DD} .

•Absolute Maximum Ratings⁽¹⁾

Item	Symbol	Rating	Unit
Supply Voltage	V_{DD}	-0.5 to +4.6	V
Output Supply Voltage	V_{DDQ}	-0.5 to +4.6	V
Input Voltage	V_{IN}	-0.5 to $V_{DD}+0.5$ (4.6V max.)	V
Output Voltage	V_{OUT}	-0.5 to $V_{DDQ}+0.5$ (4.6V max.)	V
Operating Temperature	T_A	0 to 70	°C
Junction Temperature	T_J	0 to 110	°C
Storage Temperature	T_{stg}	-55 to 150	°C

⁽¹⁾Stresses greater than those listed under “Absolute Maximum Ratings” may cause permanent damage to the device. This is a stress rating only, and functional operation of the device at these or any other conditions other than those indicated in the operational sections of this specification is not implied. Exposure to absolute maximum rating conditions for extended periods may affect reliability.

•DC Recommended Operating Conditions.

(V_{SS} = 0V, T_A = 0 to 70°C)

Item	Symbol	Min	Typ	Max	Unit
Supply Voltage	V _{DD}	3.13	3.3	3.47	V
Output Supply Voltage	V _{DDQ}	1.4	---	1.6 ⁽³⁾	V
Input Reference Voltage	V _{REF}	0.5	---	1.0	V
Input High Voltage	V _{IH}	V _{REF} + 0.2	---	V _{DDQ} + 0.3 ⁽¹⁾	V
Input Low Voltage	V _{IL}	-0.3 ⁽²⁾	---	V _{REF} - 0.2	V
Input High Voltage - Test Mode	V _{TIH}	2.0	---	V _{DDQ} +0.3	V
Input Low Voltage - Test Mode	V _{TIL}	-0.3	---	0.8	V
Clock Input Signal Voltage	V _{IN}	-0.3	---	V _{DDQ} +0.3	V
Clock Input Differential Voltage	V _{DIF}	0.4	---	V _{DDQ} +0.6	V
Clock Input Common Mode Voltage	V _{CM}	0.5	0.75	1.0	V
Clock Input Cross Point Voltage	V _X	0.5	0.75	1.0	V
Output Impedance Control Resistor	R _Q	175	250	350	Ω

(1) V_{IH} (Max) AC = V_{DD}+1.5 V for pulse width less than 2.0 ns.(2) V_{IL} (Min) AC = -1.5 V for pulse width less than 2.0 ns.(3) Extended V_{DDQ} support up to 2.0V is available - please contact marketing.

•I/O Capacitance

(T_A = 25°C, f = 1 MHz)

Item	Symbol	Test conditions	Min	Max	Unit
Input Capacitance	C _{IN}	V _{IN} = 0V	---	6	pF
Clock Input Capacitance	C _{CLK}	V _{IN} = 0V	---	6	pF
Output Capacitance	C _{OUT}	V _{OUT} = 0V	---	7	pF

Note: These parameters are sampled and are not 100% tested.

•Programmable Impedance Output Drivers

This device has programmable impedance output drivers. The output impedance is controlled by an external resistor, R_Q, connected between the SRAM's ZQ pin and V_{SS}, and is equal to one-fifth the value of this resistor. For output impedance matching within a ±7.5% tolerance, R_Q must be in the range of 175Ω to 350Ω. For maximum output drive, the ZQ pin can be connected directly to V_{SS}. For minimum output drive, the ZQ pin can be left open or connected to V_{DDQ}. The output impedance is updated whenever the drivers are in a Hi-Z state. At power up, 8192 clock cycles followed by a write or deselect operation are required to ensure that the output impedance has reached its desired value. After power up, periodic updates of the output impedance, via a write or deselect operation, are also required.

•DC Electrical Characteristics

 $(V_{DD} = 3.3V \pm 5\%, V_{SS} = 0V, T_A = 0 \text{ to } 70^\circ\text{C})$

Item	Symbol	Test Conditions	Min	Typ	Max	Unit
Input Leakage Current	I_{LI}	$V_{IN} = V_{SS} \text{ to } V_{DD}$	-1	---	1	μA
Output Leakage Current	I_{LO}	$V_{OUT} = V_{SS} \text{ to } V_{DD}$ $\bar{G} = V_{IH}$	-10	---	10	μA
Power Supply Operating Current	I_{DD}^4	Cycle = 6.0ns Duty = 100% $I_{OUT} = 0 \text{ mA}$	---	610	---	mA
Power Supply Operating Current	I_{DD}^4	Cycle = 5.0ns Duty = 100% $I_{OUT} = 0 \text{ mA}$	---	650	---	mA
Power Supply Operating Current	I_{DD}^4	Cycle = 4.5ns Duty = 100% $I_{OUT} = 0 \text{ mA}$	---	670	---	mA
Power Supply Operating Current	I_{DD}^4	Cycle = 4.0ns Duty = 100% $I_{OUT} = 0 \text{ mA}$	---	695	---	mA
Power Supply Standby Current	I_{SB}	$ZZ \geq V_{IH}$	---	60	---	mA
Output High Voltage	V_{OH}	$I_{OH} = -6.0 \text{ mA}$ $RQ = 250\Omega$	$V_{DDQ} - 0.4$	---	---	V
Output Low Voltage	V_{OL}	$I_{OL} = 6.0 \text{ mA}$ $RQ = 250\Omega$	---	---	0.4	V
Output Driver Impedance	$R_{OUT}^{1,2,3}$	$V_{OH} = V_{DDQ}/2$ $V_{OL} = V_{DDQ}/2$	$(RQ/5)^*$ 0.925	$RQ/5$	$(RQ/5)^*$ 1.075	Ω

1. RQ needs to be in the range of 175 Ω to 350 Ω for proper control of the value of R_{OUT} .

1.1 $R_{OUT} \leq 38\Omega$ ($1.075 * 175\Omega/5$) when $RQ \leq 175\Omega$

1.2 $R_{OUT} \geq 64\Omega$ ($0.925 * 350\Omega/5$) when $RQ \geq 350\Omega$

2. For maximum output drive, ZQ pin can be tied directly to V_{SS} . The output impedance is as described in note 1.1.

3. For minimum output drive, ZQ pin can be no connect or tied to V_{DDQ} . The output impedance is as described in note 1.2.

4. Typical I_{DD} values measured at $V_{DD} = 3.3V$ and $T_A = 25^\circ\text{C}$, with a 75% read / 25% write operation distribution.

•AC Electrical Characteristics (Register-Register Mode)

Item	Symbol	-4A		-4		-45A		-45		Unit
		Min	Max	Min	Max	Min	Max	Min	Max	
Cycle Time	t_{KHKH}	4.0	---	4.0	---	4.0	---	5.0	---	ns
Clock High Pulse Width	t_{KHKL}	1.5	---	1.5	---	1.5	---	1.5	---	ns
Clock Low Pulse Width	t_{KLKH}	1.5	---	1.5	---	1.5	---	1.5	---	ns
Address Setup Time	t_{AVKH}	0.5	---	0.5	---	0.5	---	0.5	---	ns
Address Hold Time	t_{KHAX}	1.0	---	1.0	---	1.0	---	1.0	---	ns
Write Enables Setup Time	t_{WVKH}	0.5	---	0.5	---	0.5	---	0.5	---	ns
Write Enables Hold Time	t_{KHWX}	1.0	---	1.0	---	1.0	---	1.0	---	ns
Synchronous Select Setup Time	t_{SVKH}	0.5	---	0.5	---	0.5	---	0.5	---	ns
Synchronous Select Hold Time	t_{KHSX}	1.0	---	1.0	---	1.0	---	1.0	---	ns
Data Input Setup Time	t_{DVKH}	0.5	---	0.5	---	0.5	---	0.5	---	ns
Data Input Hold Time	t_{KHDX}	1.0	---	1.0	---	1.0	---	1.0	---	ns
Clock High to Output Valid	t_{KHQV}	---	2.3	---	2.3	---	2.3	---	2.5	ns
Clock High to Output Hold	t_{KHQX}^{*2}	0.7	---	0.7	---	0.7	---	0.7	---	ns
Clock High to Output Low-Z	t_{KHQX1}^{*2}	0.7	---	0.7	---	0.7	---	0.7	---	ns
Clock High to Output High-Z	t_{KHQZ}^{*2}	---	2.3	---	2.3	---	2.3	---	2.5	ns
Output Enable Low to Output Valid	t_{GLQV}	---	2.3	---	2.3	---	2.3	---	2.5	ns
Output Enable Low to Output Low-Z	t_{GLQX}^{*2}	0.5	---	0.5	---	0.5	---	0.5	---	ns
Output Enable High to Output High-Z	t_{GHQZ}^{*2}	---	2.3	---	2.3	---	2.3	---	2.3	ns
Sleep Mode Enable Time	t_{ZZE}^{*2}	---	20.0	---	20.0	---	20.0	---	20.0	ns
Sleep Mode Recovery Time	t_{ZZR}^{*2}	20.0	---	20.0	---	20.0	---	20.0		ns

1. All parameters are specified over the range $T_A = 0$ to 70°C .

2. These parameters are sampled and are not 100% tested.

•AC Electrical Characteristics (Register-Latch & Register-Flow Thru Modes)

Item	Symbol	-4A		-4		-45A		-45		Unit
		Min	Max	Min	Max	Min	Max	Min	Max	
Cycle Time	t_{KHKH}	4.8	---	5.3	---	5.3	---	6.5	---	ns
Clock High Pulse Width	t_{KHKL}	1.5	---	1.5	---	1.5	---	1.5	---	ns
Clock Low Pulse Width	t_{KLKH}	1.5	---	1.5	---	1.5	---	1.5	---	ns
Address Setup Time	t_{AVKH}	0.4 ^{*3}	---	0.5	---	0.5	---	0.5	---	ns
Address Hold Time	t_{KHAX}	0.8 ^{*3}	---	1.0	---	1.0	---	1.0	---	ns
Write Enables Setup Time	t_{WVKH}	0.4 ^{*3}	---	0.5	---	0.5	---	0.5	---	ns
Write Enables Hold Time	t_{KHWX}	0.8 ^{*3}	---	1.0	---	1.0	---	1.0	---	ns
Synchronous Select Setup Time	t_{SVKH}	0.4 ^{*3}	---	0.5	---	0.5	---	0.5	---	ns
Synchronous Select Hold Time	t_{KHSX}	0.8 ^{*3}	---	1.0	---	1.0	---	1.0	---	ns
Data Input Setup Time	t_{DVKH}	0.4 ^{*3}	---	0.5	---	0.5	---	0.5	---	ns
Data Input Hold Time	t_{KHDX}	0.8 ^{*3}	---	1.0	---	1.0	---	1.0	---	ns
Clock High to Output Valid	t_{KHQV}	---	4.8	---	5.3	---	5.3	---	6.5	ns
Clock High to Output Hold (R-FT mode only)	t_{KHQX}^{*2}	2.0	---	2.0	---	2.0	---	2.0	---	ns
Clock High to Output Low-Z (R-FT mode only)	t_{KHQX1}^{*2}	2.5	---	2.5	---	2.5	---	3.0	---	ns
Clock Low to Output Valid (R-L mode only)	t_{KLQV}	---	2.2	---	2.3	---	2.5	---	2.5	ns
Clock Low to Output Hold (R-L mode only)	t_{KLQX}^{*2}	0.7	---	0.7	---	0.7	---	0.7	---	ns
Clock Low to Output Low-Z (R-L mode only)	t_{KLQX1}^{*2}	0.7	---	0.7	---	0.7	---	0.7	---	ns
Clock High to Output High-Z	t_{KHQZ}^{*2}	---	2.2	---	2.3	---	2.5	---	2.5	ns
Output Enable Low to Output Valid	t_{GLQV}	---	2.2	---	2.3	---	2.5	---	2.5	ns
Output Enable Low to Output Low-Z	t_{GLQX}^{*2}	0.5	---	0.5	---	0.5	---	0.5	---	ns
Output Enable High to Output High-Z	t_{GHQZ}^{*2}	---	2.2	---	2.3	---	2.3	---	2.3	ns
Sleep Mode Enable Time	t_{ZZE}^{*2}	---	20.0	---	20.0	---	20.0	---	20.0	ns
Sleep Mode Recovery Time	t_{ZZR}^{*2}	20.0	---	20.0	---	20.0	---	20.0	---	ns

1. All parameters are specified over the range $T_A = 0$ to 70°C .

2. These parameters are sampled and are not 100% tested.

3. For -4A, these parameters are measured from valid V_{IH}/V_{IL} levels to the clock mid-point.

4. R-FT mode operation is verified functionally, but associated timing parameters are guaranteed by design only and are not 100% tested.

•AC Electrical Characteristics (Dual Clock Mode)

Item	Symbol	-4A		-4		-45A		-45		Unit
		Min	Max	Min	Max	Min	Max	Min	Max	
K Clock Cycle Time	t_{KHKH}	4.0	---	4.0	---	4.5	---	4.5	---	ns
K Clock High Pulse Width	t_{KHKL}	1.5	---	1.5	---	1.5	---	1.5	---	ns
K Clock Low Pulse Width	t_{KLKH}	1.5	---	1.5	---	1.5	---	1.5	---	ns
C Clock Cycle Time	t_{CHCH}	4.0	---	4.0	---	4.5	---	4.5	---	ns
C Clock High Pulse Width	t_{CHCL}	1.5	---	1.5	---	1.5	---	1.5	---	ns
C Clock Low Pulse Width	t_{CLCH}	1.5	---	1.5	---	1.5	---	1.5	---	ns
K to C Clock Delay	t_{KHCH}	1.5	---	1.5	---	1.5	---	1.5	---	ns
C to K Clock Delay	t_{CHKH}	0.8	---	0.8	---	0.8	---	0.8	---	ns
Address Setup Time	t_{AVKH}	0.5	---	0.5	---	0.5	---	0.5	---	ns
Address Hold Time	t_{KHAX}	1.0	---	1.0	---	1.0	---	1.0	---	ns
Write Enables Setup Time	t_{WVKH}	0.5	---	0.5	---	0.5	---	0.5	---	ns
Write Enables Hold Time	t_{KHWX}	1.0	---	1.0	---	1.0	---	1.0	---	ns
Synchronous Select Setup Time	t_{SVKH}	0.5	---	0.5	---	0.5	---	0.5	---	ns
Synchronous Select Hold Time	t_{KHSX}	1.0	---	1.0	---	1.0	---	1.0	---	ns
Data Input Setup Time	t_{DVKH}	0.5	---	0.5	---	0.5	---	0.5	---	ns
Data Input Hold Time	t_{KHDX}	0.8	---	0.8	---	1.0	---	1.0	---	ns
K Clock High to Output Valid	t_{KHQV}	---	5.2	---	5.2	---	6.0	---	6.5	ns
C Clock High to Output Valid	t_{CHQV}	---	2.3	---	2.3	---	2.5	---	2.5	ns
C Clock High to Output Hold	t_{CHQX}^{*2}	0.7	---	0.7	---	0.7	---	0.7	---	ns
C Clock High to Output Low-Z	t_{CHQX1}^{*2}	0.7	---	0.7	---	0.7	---	0.7	---	ns
C Clock High to Output High-Z	t_{CHQZ}^{*2}	---	2.3	---	2.3	---	2.5	---	2.5	ns
Output Enable Low to Output Valid	t_{GLQV}	---	2.1	---	2.1	---	2.5	---	2.5	ns
Output Enable Low to Output Low-Z	t_{GLQX}^{*2}	0.5	---	0.5	---	0.5	---	0.5	---	ns
Output Enable High to Output High-Z	t_{GHQZ}^{*2}	---	2.0	---	2.0	---	2.3	---	2.3	ns
Sleep Mode Enable Time	t_{ZZE}^{*2}	---	20.0	---	20.0	---	20.0	---	20.0	ns
Sleep Mode Recovery Time	t_{ZZR}^{*2}	20.0	---	20.0	---	20.0	---	20.0	---	ns

1. All parameters are specified over the range $T_A = 0$ to 70°C .

2. These parameters are sampled and are not 100% tested.

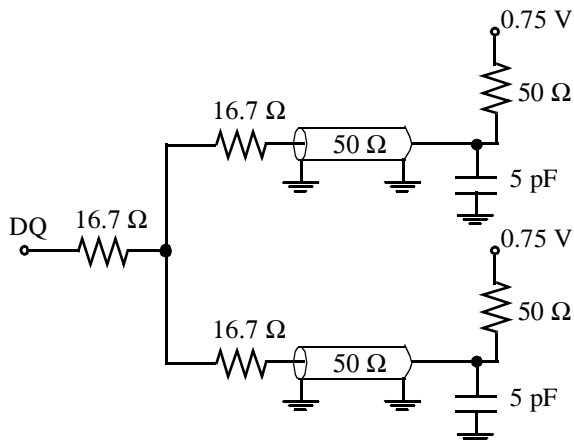
3. Currently, DC mode operation is not verified functionally, and no timing parameters are guaranteed. Contact Sony Memory Marketing for availability.

•AC Test Conditions ($V_{DDQ} = 1.5V$)

($V_{DD} = 3.3V \pm 5\%$, $T_A = 0$ to $70^\circ C$)

Item		Conditions	Notes
Input Reference Voltage		$V_{REF} = 0.75V$	
Input High Level		$V_{IH} = 1.25V$	
Input Low Level		$V_{IL} = 0.25V$	
Input Rise & Fall Time		1V/ns	
Clock	Input Reference Level	K/ \bar{K} cross; C/ \bar{C} cross	
	Input High Voltage	1.25V	
	Input Low Voltage	0.25V	
	Input Rise & Fall Time	1V/ns	
Output Supply Voltage		$V_{DDQ} = 1.5V$	
Output Reference Level		0.75V	
Output Load Conditions			Fig.1 $R_Q = 250\Omega$

Fig. 1: AC Test Output Load ($V_{DDQ} = 1.5V$)



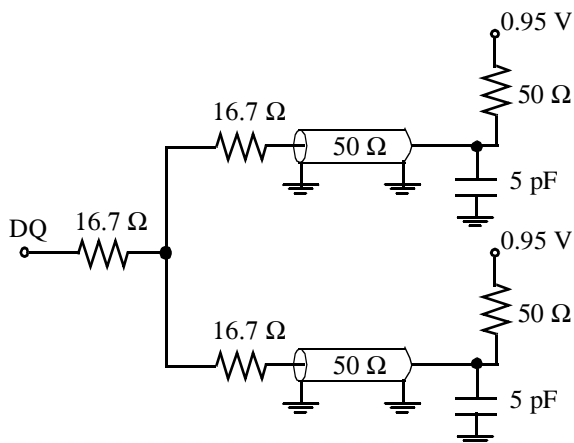
•AC Test Conditions ($V_{DDQ} = 1.9V$) for extended HSTL (for R-L mode only)

($V_{DD} = 3.3V \pm 5\%$, $T_A = 0$ to $70^\circ C$)

($V_{DDQ} = 1.9V \pm 0.1V$, $T_A = 0$ to $70^\circ C$)

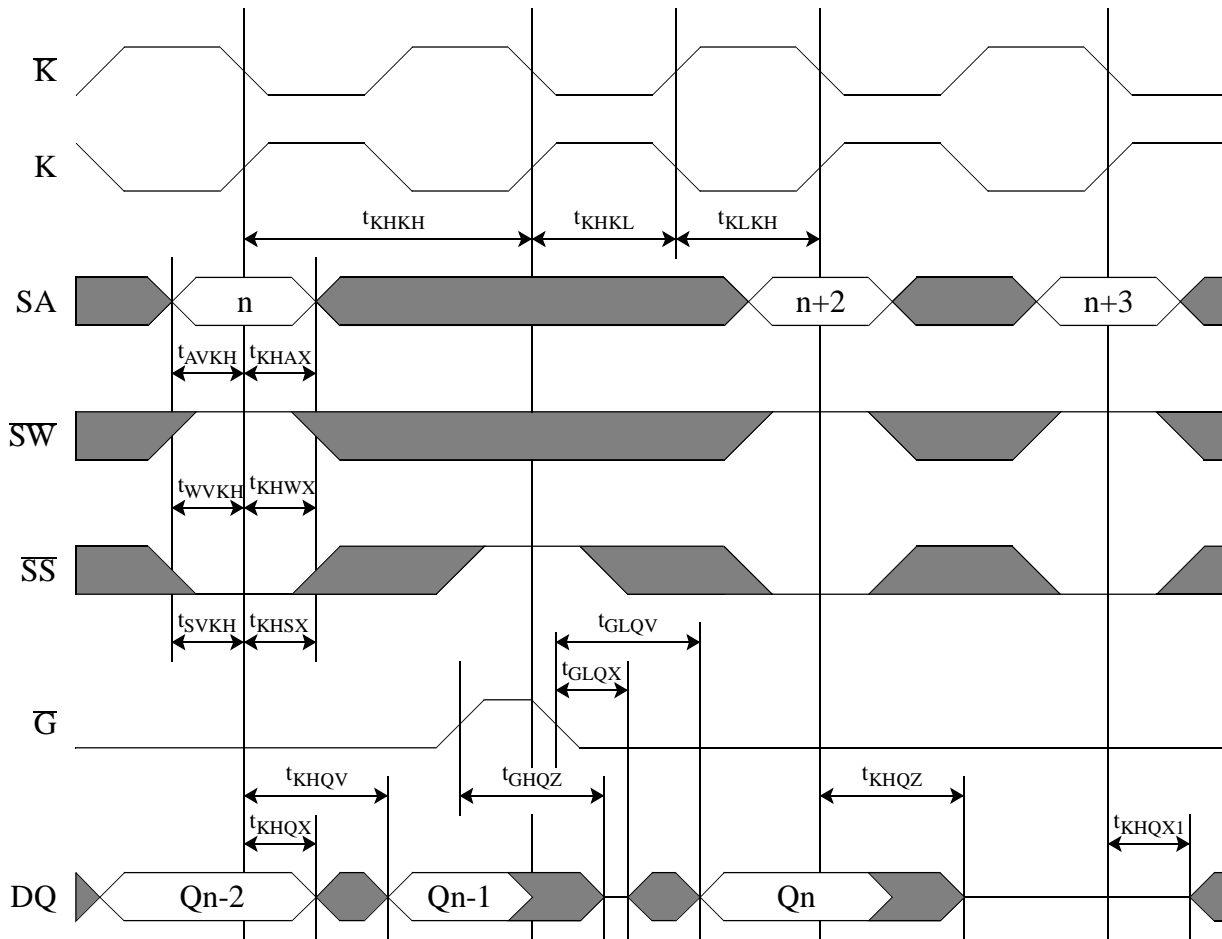
Item		Conditions	Notes
Input Reference Voltage		$V_{REF} = 0.75V$	
Input High Level (Address / Control)		$V_{IHCA} = 1.25V$	
Input Low Level (Address / Control)		$V_{ILCA} = 0.25V$	
Input High Level (Data)		$V_{IHD} = 1.25V$	
Input Low Level (Data)		$V_{ILD} = 0.25V$	
Input Rise & Fall Time		1V/ns	
Clock	Input Reference Level	K/K cross	
	PECL Input High Voltage	1.45V	
	PECL Input Low Voltage	0.75V	
	Input Rise & Fall Time	1V/ns	
Output Supply Voltage		$V_{DDQ} = 1.9V$	
Output Reference Level		0.95V	
Output Load Conditions			Fig.2 $R_Q = 250\Omega$

Fig. 2: AC Test Output Load ($V_{DDQ} = 1.9V$)

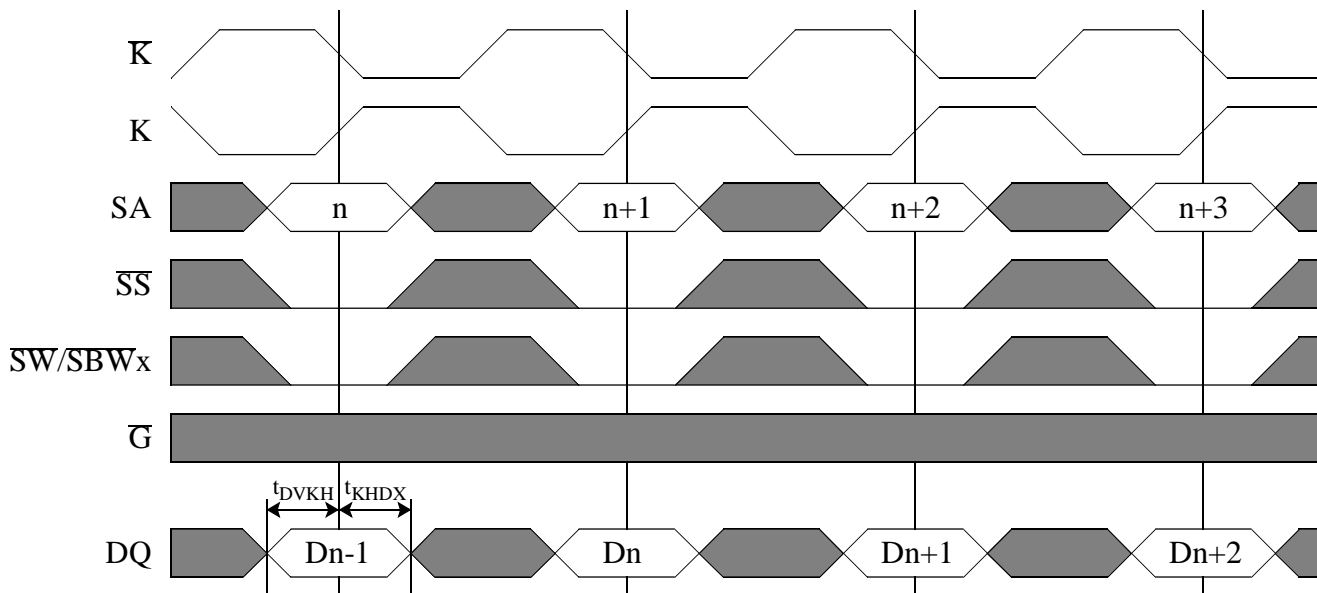


Register - Register Mode

Timing Diagram of Read and Deselect Operations

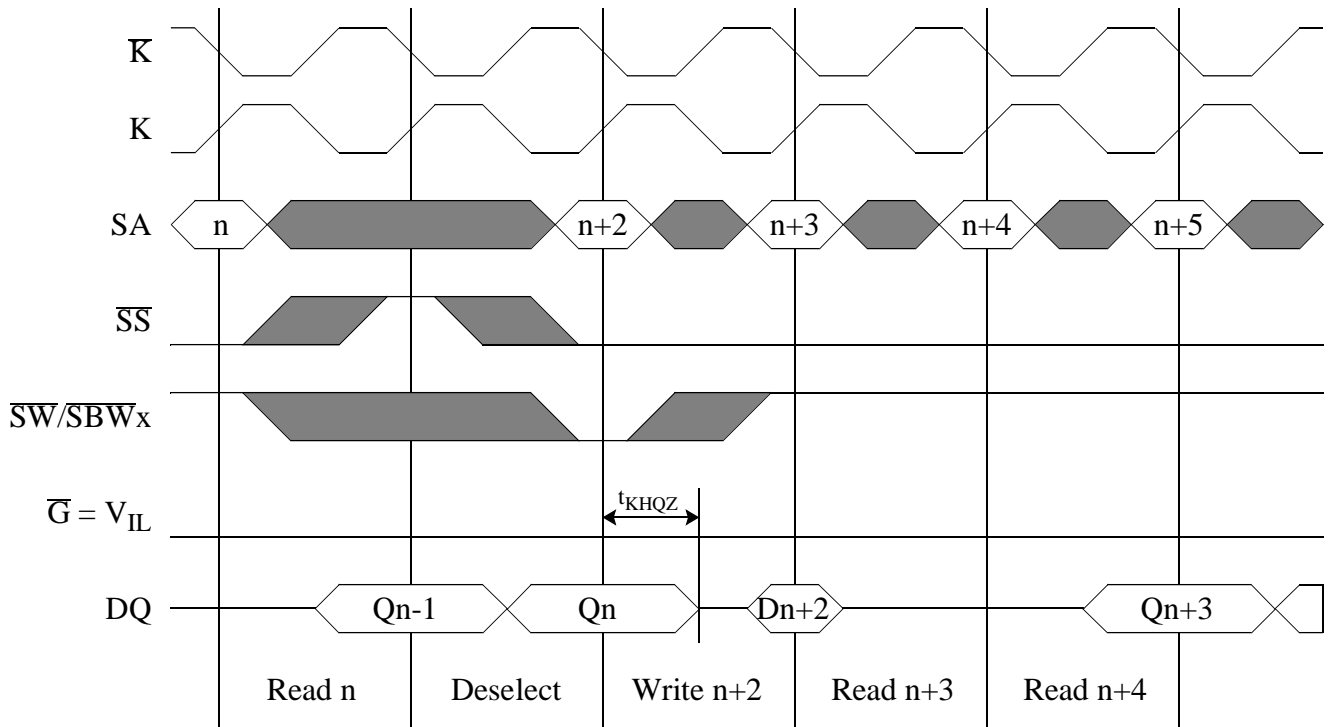


Timing Diagram of Write Operations

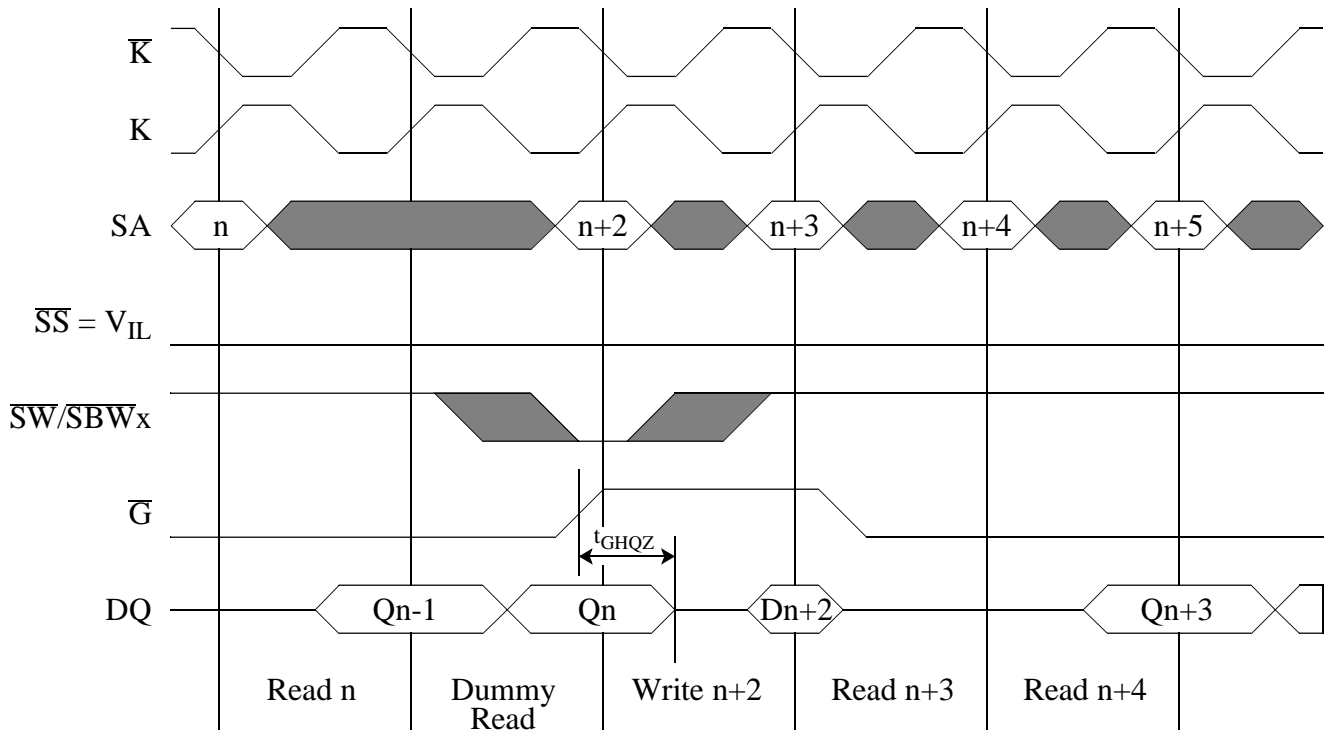


Register - Register Mode

Timing Diagram I of Read-Write-Read Operations (\overline{SS} Controlled)

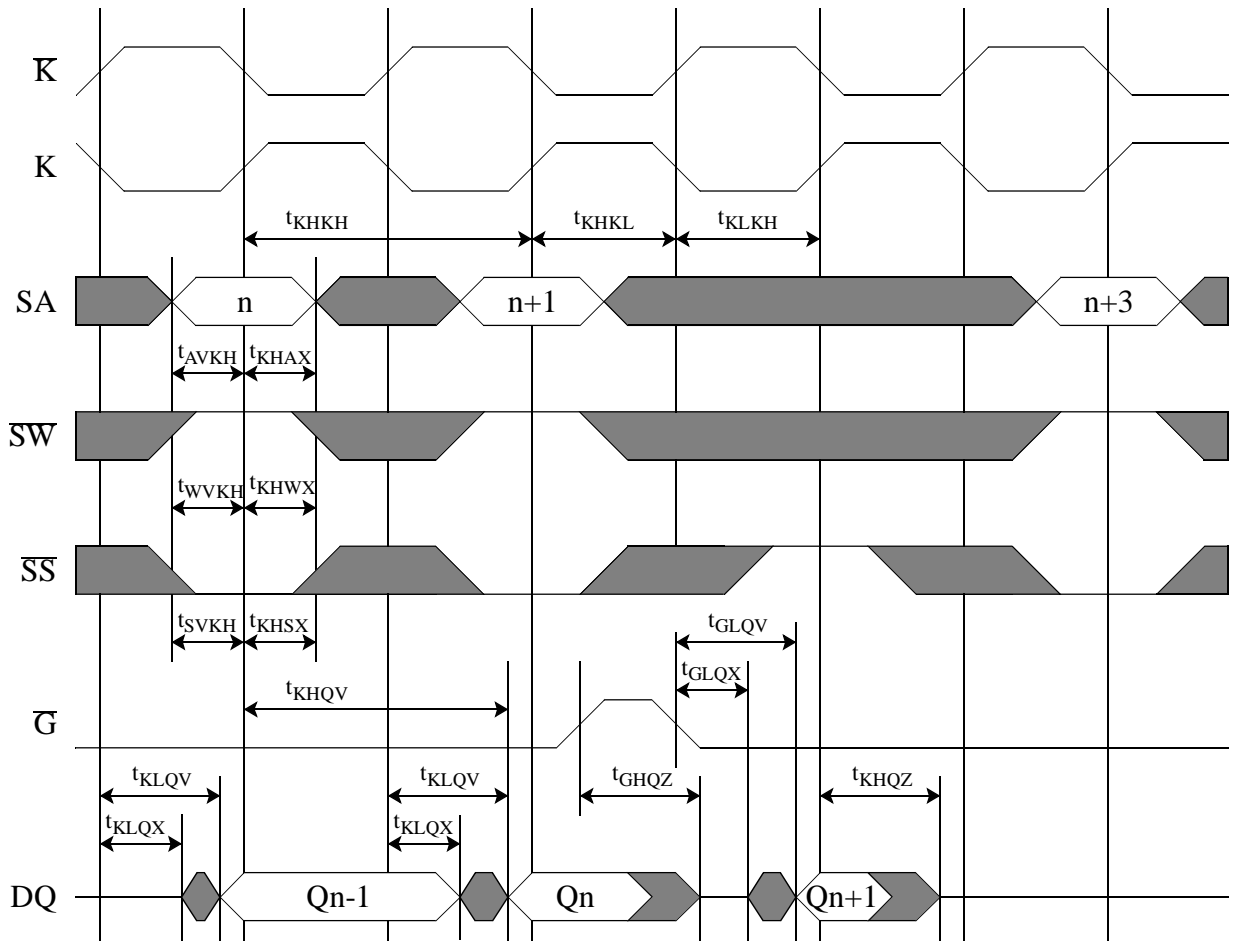


Timing Diagram II of Read-Write-Read Operations (\overline{G} Controlled)

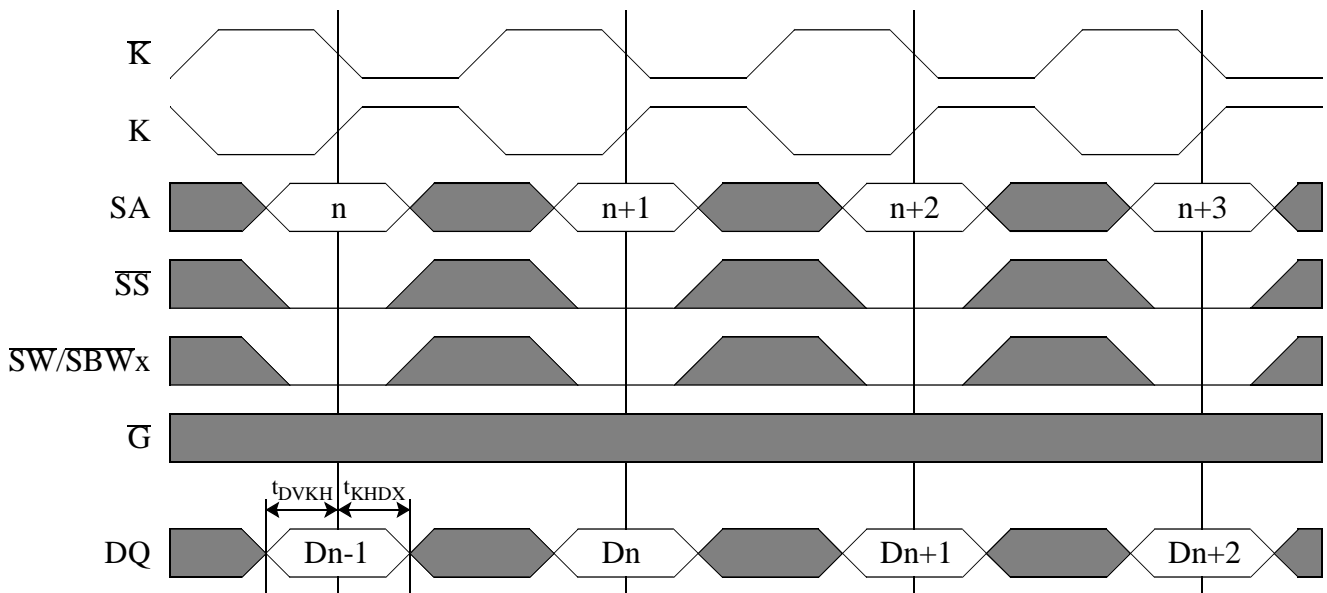


Register - Latch Mode

Timing Diagram of Read and Deselect Operations

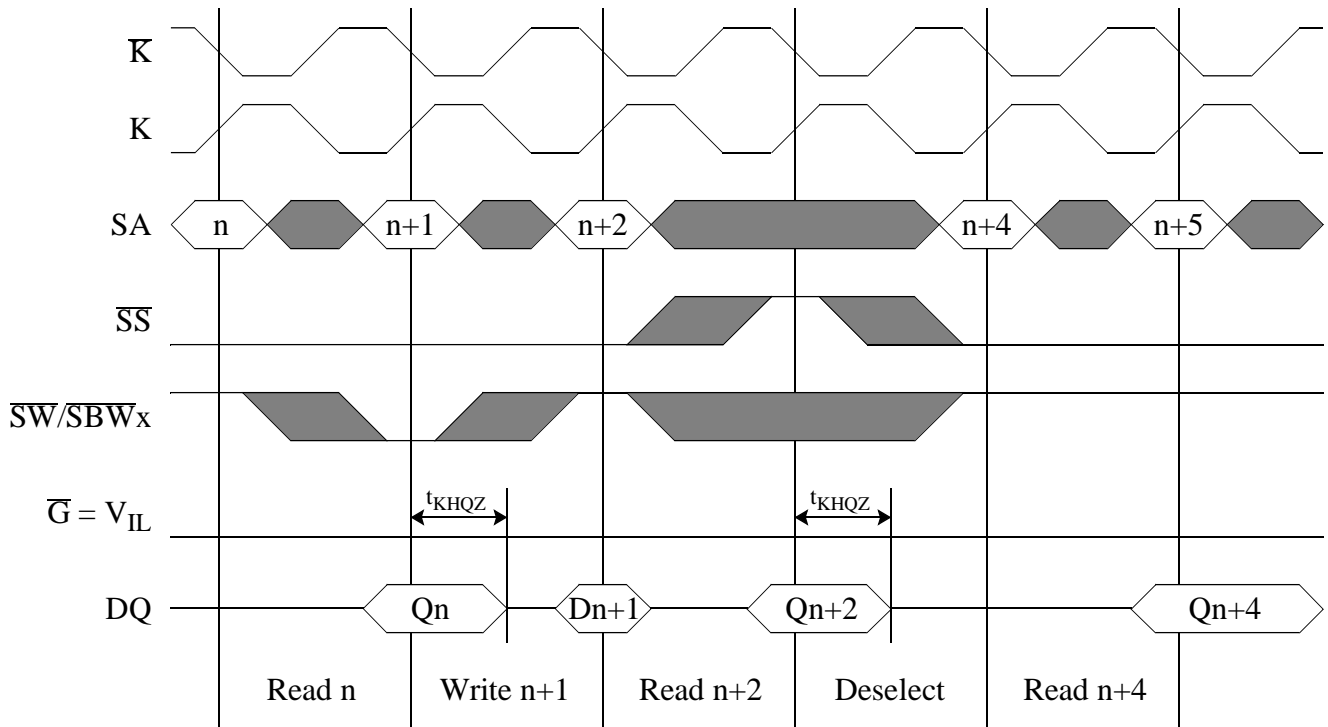


Timing Diagram of Write Operations



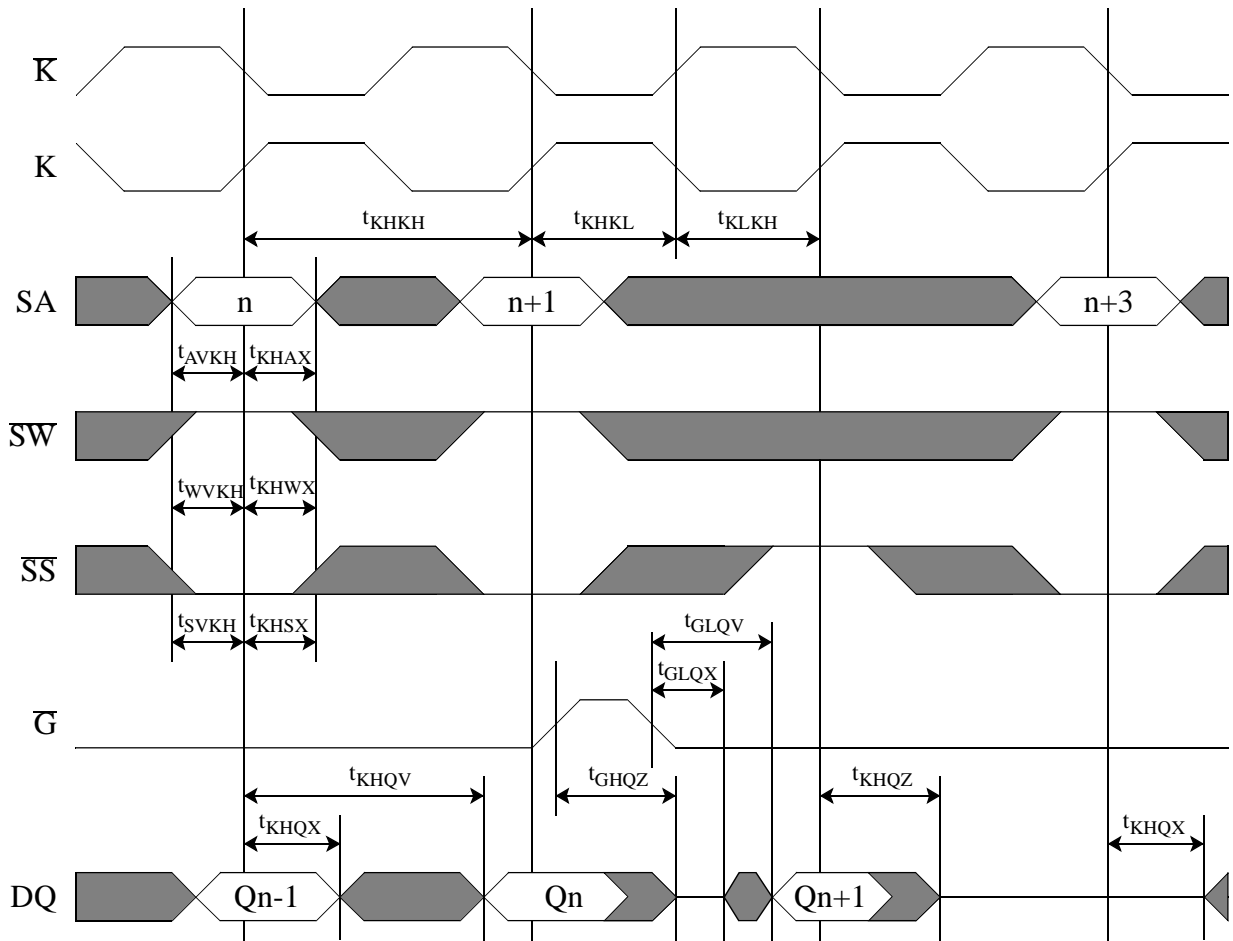
Register - Latch Mode

Timing Diagram of Read-Write-Read Operations

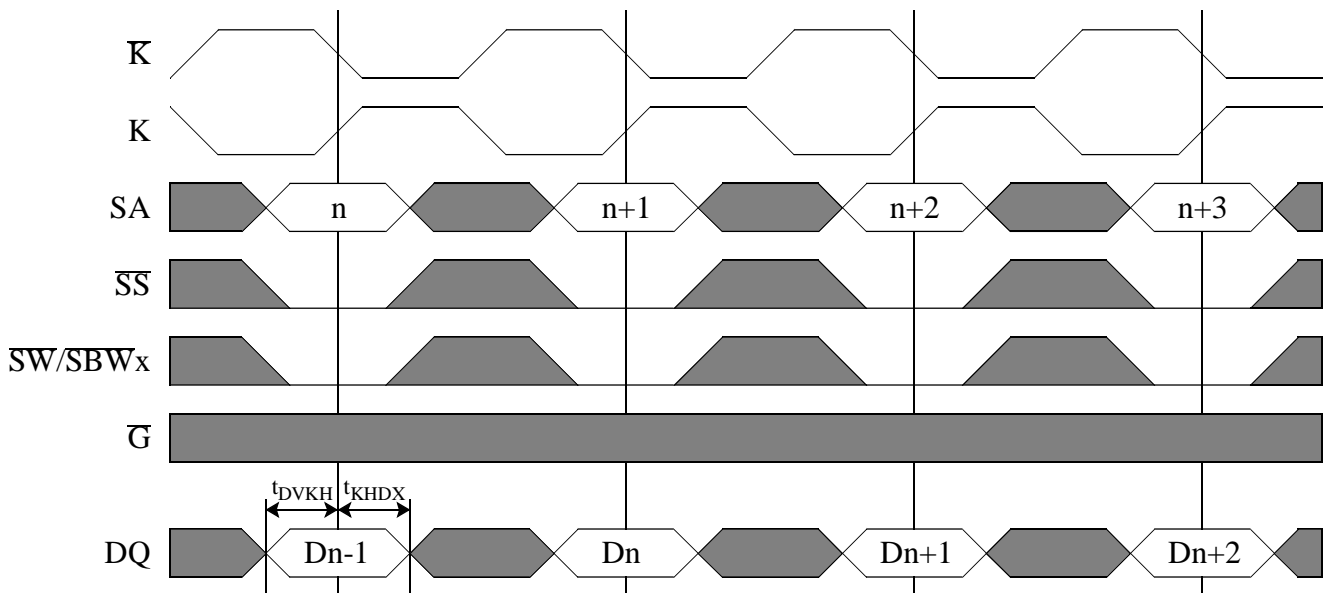


Register - Flow Thru Mode

Timing Diagram of Read and Deselect Operations

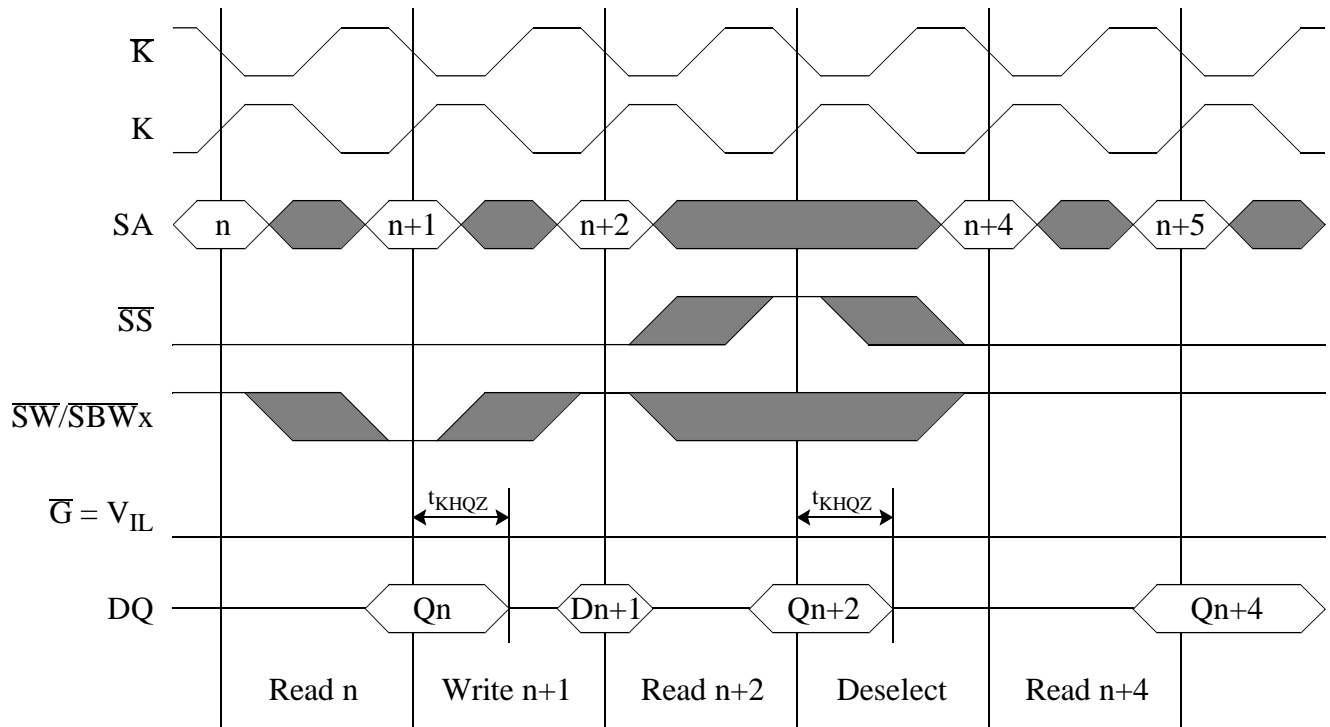


Timing Diagram of Write Operations



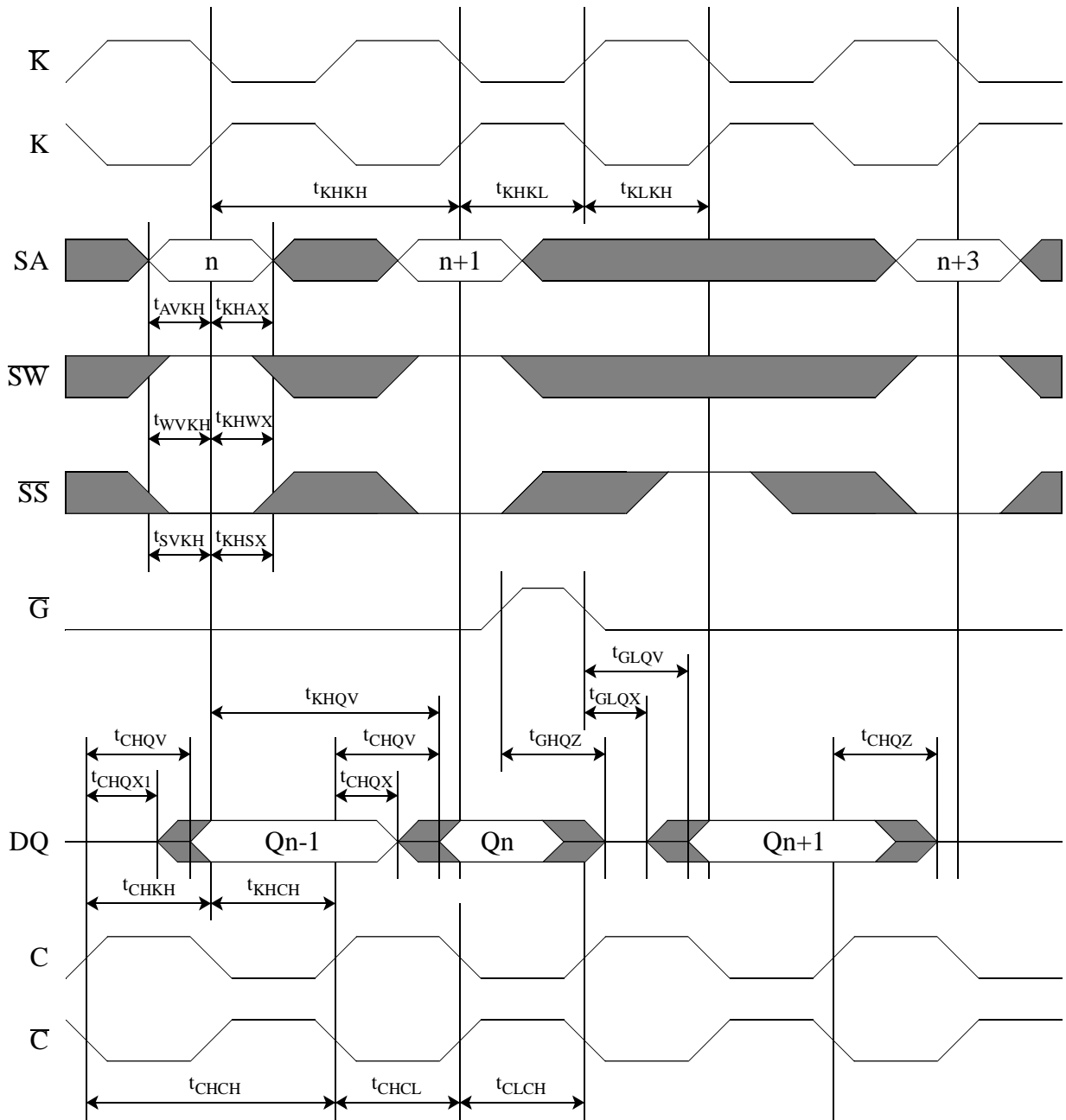
Register - Flow Thru Mode

Timing Diagram of Read-Write-Read Operations



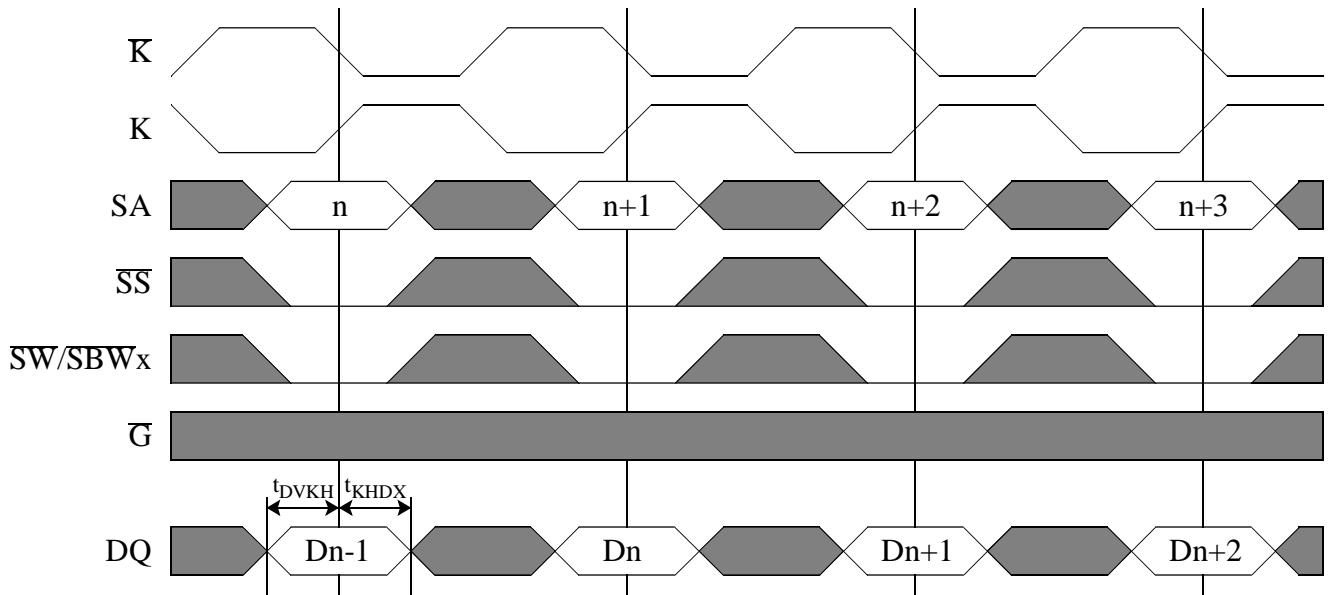
Dual Clock Mode

Timing Diagram of Read and Deselect Operations

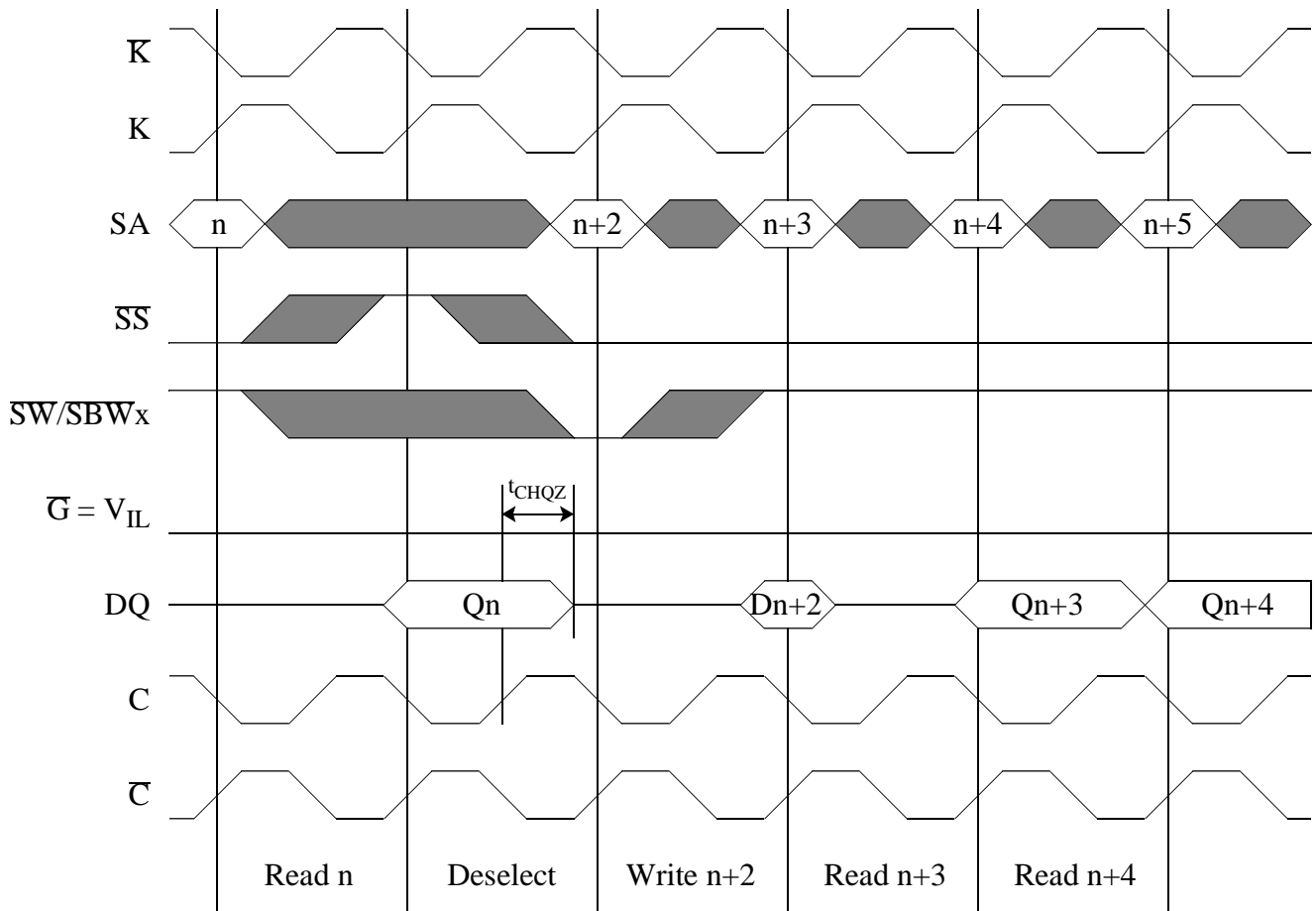


Dual Clock Mode

Timing Diagram of Write Operations

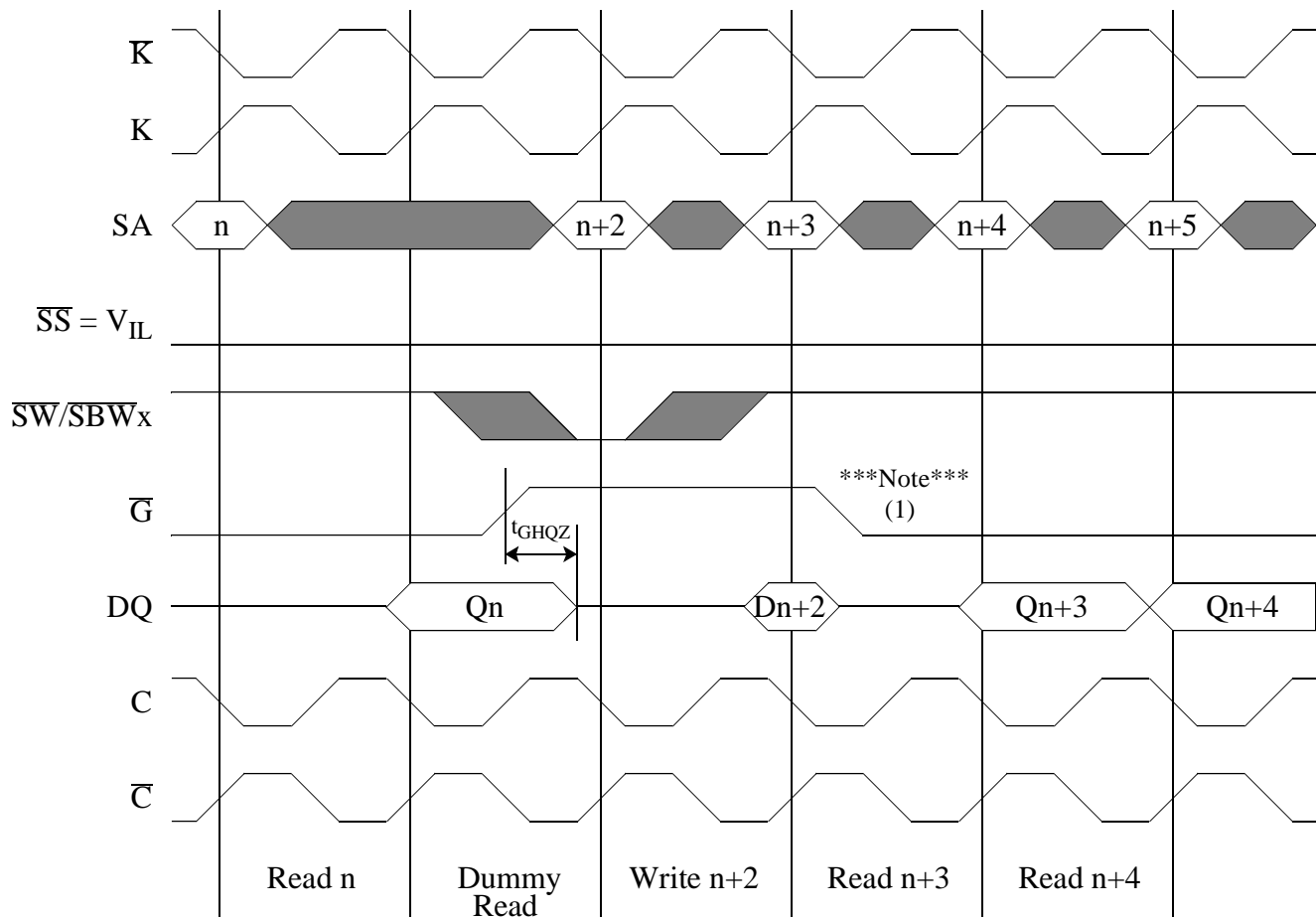


Timing Diagram I of Read-Write-Read Operations (SS Controlled)



Dual Clock Mode

Timing Diagram II of Read-Write-Read Operations (\overline{G} Controlled)



Note 1: In order to prevent glitches on the data bus during write-read operations, when \overline{G} is driven active (low) following the rising edge of K, the data bus will remain tri-stated until valid data from the most recent read operation is available. Specifically, the data bus will remain tri-stated for the **maximum** of the following three times:

1. T_{KHQV}
2. $T_{KHCH} + T_{CHQV}$
3. $(K \text{ high to } \overline{G} \text{ low}) + T_{GLQV}$

Test Mode Description

Functional Description

The CXK77B1840 provides a JTAG boundary scan interface using a limited set of IEEE std. 1149.1 functions. The test mode is intended to provide a mechanism for testing the interconnect between master (processor, controller, etc.), SRAMs, other components and the printed circuit board.

In conformance with a subset of IEEE std. 1149.1, the CXK77B1840 contains a TAP controller, Instruction register, Boundary scan register and Bypass register.

JTAG Inputs/Outputs are LVTTL compatible only.

Test Access Port (TAP)

4 pins as defined in the Pin Description table are used to perform JTAG functions. The TDI input pin is used to scan test data serially into one of three registers (Instruction register, Boundary Scan register and Bypass register). TDO is the output pin used to scan test data serially out. The TDI pin sends the data into LSB of the selected register and the MSB of the selected register feeds the data to TDO. The TMS input pin controls the state transition of 16 state TAP controller as specified in IEEE std. 1149.1. Inputs on TDI and TMS are registered on the rising edge of TCK clock. The output data on TDO is presented on the falling edge of TCK. TDO driver is in active state only when TAP controller is in Shift-IR state or in Shift-DR state.

TCK, TMS, TDI must be tied low when JTAG is not used.

TAP Controller

16 state controller is implemented as specified in IEEE std. 1149.1.

The controller enters reset state in one of two ways:

1. Power up.
2. Apply a logic 1 on TMS input pin on 5 consecutive TCK rising edges.

Instruction Register (3 bits)

The JTAG Instruction register consists of a shift register stage and parallel output latch. The register is 3 bits wide and is encoded as follow:

<u>Octal</u>	<u>MSB.....LSB</u>			<u>Instruction</u>
0	0	0	0	Bypass
1	0	0	1	IDCODE. Read device ID
2	0	1	0	Sample-Z. Sample Inputs and tri-state DQs
3	0	1	1	Bypass
4	1	0	0	Sample. Sample Inputs.
5	1	0	1	Private. Manufacturer use only.
6	1	1	0	Bypass
7	1	1	1	Bypass

Bypass Register (1 bit)

The Bypass Register is one bit wide and is connected electrically between TDI and TDO and provides the minimum length serial path between TDI and TDO.

ID Registers (32 bits)

The ID Register is 32 bits wide and is encoded as follows:

	ID[0}	1
Sony ID	ID[11:1]	0000 1110 001
Part Number	ID[27:12]	0000 0000 0001 1000
Revision Number	ID[31:28]	xxxx

Boundary Scan Register (51 bits)

The Boundary Scan Registers are 51 bits wide and are listed as follows:

DQ	18
SA	18
SW, SBW _x	3
SS, \bar{G}	2
K, \bar{K} , C, \bar{C}	4
ZZ	1
M1, M2	2
ZQ	1
Place Holder	2

K/ \bar{K} , C/ \bar{C} inputs are sampled through one differential stage and internally inverted to generate internal K/ \bar{K} , C/ \bar{C} signals for scan registers. Place Holder are required for some NC pins to maintain 51 bits Scan Register for different types of the same family SRAM and for density upgrades. All Place Holder Registers are connected to V_{SS} internally regardless of pin connection externally.

Scan Order (Order by exit sequence)

26	3B	SA		SA	5B	25
27	-	V _{SS}		V _{SS}	-	24
28	3A	SA		SA	5A	23
29	3C	SA		SA	5C	22
30	2C	SA		SA	6C	21
31	2A	SA		SA	6A	20
32	1D	DQb		DQa	6D	19
33	2E	DQb		DQa	7E	18
34	2G	DQb		DQa	6F	17
35	1H	DQb		DQa	7G	16
36	3G	\overline{SBWb}		DQa	6H	15
37	4D	ZQ		\overline{C}	4F	14
38	4E	\overline{SS}		K	4K	13
39	4G	\overline{C}		K	4L	12
40	4H	C		\overline{SBWa}	5L	11
41	4M	\overline{SW}		DQa	7K	10
42	2K	DQb		DQa	6L	9
43	1L	DQb		DQa	6N	8
44	2M	DQb		DQa	7P	7
45	1N	DQb		ZZ	7T	6
46	2P	DQb		SA	5T	5
47	3T	SA		SA	6R	4
48	2R	SA		SA	4P	3
49	4N	SA		SA	6T	2
50	2T	SA		M2	5R	1
51	3R	M1				

Ordering Information.

Part Number	Speed		
	Register - Register	Register - Latch/ Register - Flow Thru	**Dual Clock**
CXK77B1840GB-4A	4.0ns Cycle / 2.3ns Access	4.8ns Cycle / 4.8ns Access	4.0ns Cycle / 5.2ns Access
CXK77B1840GB-4	4.0ns Cycle / 2.3ns Access	5.3ns Cycle / 5.3ns Access	4.0ns Cycle / 5.2ns Access
CXK77B1840GB-45A	4.0ns Cycle / 2.3ns Access	5.3ns Cycle / 5.3ns Access	4.5ns Cycle / 6.0ns Access
CXK77B1840GB-45	5.0ns Cycle / 2.5ns Access	6.5ns Cycle / 6.5ns Access	4.5ns Cycle / 6.5ns Access

Note: Contact Sony Memory Marketing for availability of Dual Clock mode functionality.

Sony reserves the right to change products and specifications without prior notice. This information does not convey any license by any implication or otherwise under any patents or other right. Application circuits shown, if any, are typical examples illustrating the operation of the devices. Sony cannot assume responsibility for any problems arising out of the use of these circuits.

Revision History

Rev. #	Rev. date	Changes / Modifications to Data-Sheet																																																						
rev 4.0	8/22/97	Initial version, based on TS-2 evaluation																																																						
rev 4.2	11/21/97	<p>Modified AC Electrical Characteristics:</p> <p>R-R Mode:</p> <table> <tr> <td>-4.5+</td> <td>T_{KHKH}</td> <td>5.0ns to 4.5ns</td> </tr> <tr> <td>-4.5</td> <td>T_{GHQZ}</td> <td>2.5ns to 2.3ns</td> </tr> <tr> <td>-4.5</td> <td>T_{GHQZ}</td> <td>2.5ns to 2.3ns</td> </tr> </table> <p>R-L, R-FT Modes:</p> <table> <tr> <td>-4</td> <td>T_{KHKH}</td> <td>5.5ns to 5.0ns</td> </tr> <tr> <td>-4.5+</td> <td>T_{KHQV}</td> <td>6.5ns to 5.5ns</td> </tr> <tr> <td></td> <td>T_{GHQZ}</td> <td>2.5ns to 2.3ns</td> </tr> <tr> <td>-4.5</td> <td>T_{GHQZ}</td> <td>2.5ns to 2.3ns</td> </tr> <tr> <td>-5</td> <td>T_{KHKH}</td> <td>5.5ns to 6.0ns</td> </tr> </table> <p>DC Mode:</p> <table> <tr> <td>-4</td> <td>T_{KHQV}</td> <td>5.5ns to 5.3ns</td> </tr> <tr> <td></td> <td>T_{KHDX}</td> <td>1.0ns to 0.8ns</td> </tr> <tr> <td></td> <td>T_{GLQV}</td> <td>2.3ns to 2.1ns</td> </tr> <tr> <td></td> <td>T_{GHQZ}</td> <td>2.3ns to 2.0ns</td> </tr> <tr> <td>-4.5+</td> <td>T_{KHQV}</td> <td>6.2ns to 6.0ns</td> </tr> <tr> <td></td> <td>T_{GHQZ}</td> <td>2.5ns to 2.3ns</td> </tr> <tr> <td>-4.5</td> <td>T_{GHQZ}</td> <td>2.5ns to 2.3ns</td> </tr> </table> <p>Renamed “-4” bin to “-40” bin in all modes. Renamed “-4.5+” bin to “-45H” bin in all modes. Renamed “-4.5” bin to “-45” bin in all modes. Renamed “-5” bin to “-50” bin in all modes.</p> <p>Modified DC Recommended Operating Conditions (page-6)</p> <table> <tr> <td>V_{IH}</td> <td>min</td> <td>V_{REF} + 0.1 to V_{REF} + 0.2</td> </tr> <tr> <td>V_{IL}</td> <td>max</td> <td>V_{REF} - 0.1 to V_{REF} - 0.2</td> </tr> <tr> <td>V_{DIF}</td> <td>min</td> <td>0.2V to 0.4V</td> </tr> </table> <p>Added extended HSTL AC Test Conditions (page-12)</p> <p>Provided I_{DD} & I_{SB} typical values (page-7)</p>	-4.5+	T _{KHKH}	5.0ns to 4.5ns	-4.5	T _{GHQZ}	2.5ns to 2.3ns	-4.5	T _{GHQZ}	2.5ns to 2.3ns	-4	T _{KHKH}	5.5ns to 5.0ns	-4.5+	T _{KHQV}	6.5ns to 5.5ns		T _{GHQZ}	2.5ns to 2.3ns	-4.5	T _{GHQZ}	2.5ns to 2.3ns	-5	T _{KHKH}	5.5ns to 6.0ns	-4	T _{KHQV}	5.5ns to 5.3ns		T _{KHDX}	1.0ns to 0.8ns		T _{GLQV}	2.3ns to 2.1ns		T _{GHQZ}	2.3ns to 2.0ns	-4.5+	T _{KHQV}	6.2ns to 6.0ns		T _{GHQZ}	2.5ns to 2.3ns	-4.5	T _{GHQZ}	2.5ns to 2.3ns	V _{IH}	min	V _{REF} + 0.1 to V _{REF} + 0.2	V _{IL}	max	V _{REF} - 0.1 to V _{REF} - 0.2	V _{DIF}	min	0.2V to 0.4V
-4.5+	T _{KHKH}	5.0ns to 4.5ns																																																						
-4.5	T _{GHQZ}	2.5ns to 2.3ns																																																						
-4.5	T _{GHQZ}	2.5ns to 2.3ns																																																						
-4	T _{KHKH}	5.5ns to 5.0ns																																																						
-4.5+	T _{KHQV}	6.5ns to 5.5ns																																																						
	T _{GHQZ}	2.5ns to 2.3ns																																																						
-4.5	T _{GHQZ}	2.5ns to 2.3ns																																																						
-5	T _{KHKH}	5.5ns to 6.0ns																																																						
-4	T _{KHQV}	5.5ns to 5.3ns																																																						
	T _{KHDX}	1.0ns to 0.8ns																																																						
	T _{GLQV}	2.3ns to 2.1ns																																																						
	T _{GHQZ}	2.3ns to 2.0ns																																																						
-4.5+	T _{KHQV}	6.2ns to 6.0ns																																																						
	T _{GHQZ}	2.5ns to 2.3ns																																																						
-4.5	T _{GHQZ}	2.5ns to 2.3ns																																																						
V _{IH}	min	V _{REF} + 0.1 to V _{REF} + 0.2																																																						
V _{IL}	max	V _{REF} - 0.1 to V _{REF} - 0.2																																																						
V _{DIF}	min	0.2V to 0.4V																																																						
rev 4.3	01/15/98	<p>Modified AC Electrical Characteristics:</p> <p>Added “-40A” bin to all modes. Deleted “-40” bin from all modes. Deleted “-50” bin from all modes. Renamed “-45H” bin to “-45A” bin in all modes.</p> <p>Modified extended HSTL AC Test Conditions (page-12)</p>																																																						

Rev. #	Rev. date	Changes / Modifications to Data-Sheet																														
rev 4.4	04/14/98	<p>Modified AC Electrical Characteristics</p> <p>Deleted “-45” bin from all modes.</p> <p>Renamed “-40A” bin to “-4A” bin in all modes.</p> <p>R-R Mode:</p> <table> <tr> <td>-4A</td> <td>T_{KHKH}</td> <td>4.5ns to 4.0ns</td> </tr> <tr> <td>-45A</td> <td>T_{KHKH}</td> <td>4.5ns to 4.0ns</td> </tr> <tr> <td></td> <td>T_{KHQV}</td> <td>2.5ns to 2.3ns</td> </tr> <tr> <td></td> <td>T_{KHQZ}</td> <td>2.5ns to 2.3ns</td> </tr> <tr> <td></td> <td>T_{GLQV}</td> <td>2.5ns to 2.3ns</td> </tr> </table> <p>R-L, R-FT Modes:</p> <p>Added “R-FT timing parameters guaranteed by design only” note for all bins.</p> <p>Removed T_{KHQZ1} from all bins.</p> <table> <tr> <td>-4A</td> <td>T_{GHQZ}</td> <td>2.3ns to 2.2ns</td> </tr> </table> <p>DC Mode:</p> <p>Added “DC operation not functionally verified” note for all bins.</p> <p>Removed T_{KHQX} and T_{KHQX1} from all bins.</p> <table> <tr> <td>-4A</td> <td>T_{KHQV}</td> <td>5.3ns to 5.2ns</td> </tr> </table> <p>Modified DC Recommended Operating Conditions (page-6)</p> <table> <tr> <td>RQ</td> <td>min</td> <td>200Ω to 175Ω</td> </tr> </table> <p>Modified DC Electrical Characteristics (page-7)</p> <table> <tr> <td>R_{OUT}</td> <td>min</td> <td>(RQ/5)*0.9Ω to (RQ/5)*0.925Ω</td> </tr> <tr> <td>R_{OUT}</td> <td>max</td> <td>(RQ/5)*1.1Ω to (RQ/5)*1.075Ω</td> </tr> </table> <p>Updated all timing diagrams (page-13 through page-21).</p> <p>Added “Contact Sony Memory Marketing for DC model availability” note (page-1 and page-25).</p> <p>Removed “Preliminary” from the data sheet</p>	-4A	T_{KHKH}	4.5ns to 4.0ns	-45A	T_{KHKH}	4.5ns to 4.0ns		T_{KHQV}	2.5ns to 2.3ns		T_{KHQZ}	2.5ns to 2.3ns		T_{GLQV}	2.5ns to 2.3ns	-4A	T_{GHQZ}	2.3ns to 2.2ns	-4A	T_{KHQV}	5.3ns to 5.2ns	RQ	min	200 Ω to 175 Ω	R_{OUT}	min	(RQ/5)*0.9 Ω to (RQ/5)*0.925 Ω	R_{OUT}	max	(RQ/5)*1.1 Ω to (RQ/5)*1.075 Ω
-4A	T_{KHKH}	4.5ns to 4.0ns																														
-45A	T_{KHKH}	4.5ns to 4.0ns																														
	T_{KHQV}	2.5ns to 2.3ns																														
	T_{KHQZ}	2.5ns to 2.3ns																														
	T_{GLQV}	2.5ns to 2.3ns																														
-4A	T_{GHQZ}	2.3ns to 2.2ns																														
-4A	T_{KHQV}	5.3ns to 5.2ns																														
RQ	min	200 Ω to 175 Ω																														
R_{OUT}	min	(RQ/5)*0.9 Ω to (RQ/5)*0.925 Ω																														
R_{OUT}	max	(RQ/5)*1.1 Ω to (RQ/5)*1.075 Ω																														
rev 4.5	08/12/98	<p>Modified AC Electrical Characteristics</p> <p>R-L, R-FT Modes:</p> <table> <tr> <td>-4A</td> <td>T_{KHKH}</td> <td>5.0ns to 4.8ns</td> </tr> <tr> <td></td> <td>T_{KHQV}</td> <td>5.0ns to 4.8ns</td> </tr> <tr> <td>-45A</td> <td>T_{KHKH}</td> <td>5.5ns to 5.3ns</td> </tr> <tr> <td></td> <td>T_{KHQV}</td> <td>5.5ns to 5.3ns</td> </tr> </table>	-4A	T_{KHKH}	5.0ns to 4.8ns		T_{KHQV}	5.0ns to 4.8ns	-45A	T_{KHKH}	5.5ns to 5.3ns		T_{KHQV}	5.5ns to 5.3ns																		
-4A	T_{KHKH}	5.0ns to 4.8ns																														
	T_{KHQV}	5.0ns to 4.8ns																														
-45A	T_{KHKH}	5.5ns to 5.3ns																														
	T_{KHQV}	5.5ns to 5.3ns																														
rev 4.6	08/20/98	<p>Modified AC Electrical Characteristics</p> <p>Added “-4” bin to all modes.</p> <p>Added “-45” bin to all modes.</p>																														