

16Mb LW R-L HSTL High Speed Synchronous SRAMs (512K x 36 or 1M x 18)

8Mb LW R-L w/ EC HSTL High Speed Synchronous SRAMs (256K x 36 or 512K x 18)

**Preliminary**

## Description

The CXK77P36E160GB (organized as 524,288 words by 36 bits) and the CXK77P18E160GB (organized as 1,048,576 words by 18 bits) are high speed CMOS synchronous static RAMs with common I/O pins. These synchronous SRAMs integrate input registers, high speed RAM, output latches, and a one-deep write buffer onto a single monolithic IC. Register - Latch (R-L) read operations and Late Write (LW) write operations are supported, providing a high-performance user interface.

Two distinct R-L modes of operation are supported, selectable via the M2 mode pin. When M2 is "high", these devices function as conventional 16Mb R-L SRAMs, and pin 2B functions as a conventional SA address input. When M2 is "low", these devices function as Error-Correcting (EC) 8Mb R-L SRAMs, and pin 2B is ignored.

When Error-Correcting 8Mb R-L mode is selected, the SRAM is divided into two banks internally - a "primary" bank and a "secondary" bank. During write operations, input data is ultimately written to both banks internally (through one stage of write pipelining). During read operations, data is read from both banks internally, and each byte of primary bank data is individually parity-checked. If the parity of a particular byte of primary data is correct (that is, "odd"), it is driven valid externally. If the parity of a particular byte of primary data is incorrect (that is, "even"), it is discarded, and the corresponding byte of secondary bank data is driven valid externally. Primary / secondary bank data selection is performed on each data byte independently.

Data read from the secondary bank is NOT parity-checked.

Data read from the write buffer is NOT parity-checked.

All address and control input signals except ZZ (Sleep Mode) are registered on the rising edge of K (Input Clock).

During read operations, output data is driven valid from the falling edge of K, one half clock cycle after the address is registered.

During write operations, input data is registered on the rising edge of K, one full clock cycle after the address is registered.

The output drivers are series terminated, and the output impedance is programmable through an external impedance matching resistor RQ. By connecting RQ between ZQ and V<sub>SS</sub>, the output impedance of all DQ pins can be precisely controlled.

Sleep (power down) mode control is provided through the asynchronous ZZ input. 250 MHz operation is obtained from a single 3.3V power supply. JTAG boundary scan interface is provided using a subset of IEEE standard 1149.1 protocol.

## Features

- 4 Speed Bins

	<u>Cycle Time / Access Time</u>
-4 (-4A) (-4B)	4.0ns / 3.9ns (3.8ns) (3.7ns)
-42 (-42A) (-42B)	4.2ns / 4.2ns (4.1ns) (4.0ns)
-43 (-43A) (-43B)	4.3ns / 4.5ns (4.4ns) (4.3ns)
-44	4.4ns / 4.7ns
- Single 3.3V power supply (V<sub>DD</sub>): 3.3V ± 5%
- Dedicated output supply voltage (V<sub>DDQ</sub>): 1.9V typical
- HSTL-compatible I/O interface with dedicated input reference voltage (V<sub>REF</sub>): 0.85V typical
- Register - Latch (R-L) read operations
- Late Write (LW) write operations
- Conventional 16Mb or Error-Correcting (EC) 8Mb mode of operation, selectable via dedicated mode pin (M2)
- Full read/write coherency
- Byte Write capability
- One cycle deselect
- Differential input clocks (K/ $\bar{K}$ )
- Programmable impedance output drivers
- Sleep (power down) mode via dedicated mode pin (ZZ)
- JTAG boundary scan (subset of IEEE standard 1149.1)
- 119 pin (7x17), 1.27mm pitch, 14mm x 22mm Ball Grid Array (BGA) package

## 512K x 36 Pin Assignment (Top View)

	1	2	3	4	5	6	7
A	V <sub>DDQ</sub>	SA	SA	NC	SA	SA	V <sub>DDQ</sub>
B	NC	SA <sup>(5)</sup>	SA	NC	SA	SA	NC
C	NC	SA	SA	V <sub>DD</sub>	SA	SA	NC
D	DQc	DQc	V <sub>SS</sub>	ZQ	V <sub>SS</sub>	DQb	DQb
E	DQc	DQc	V <sub>SS</sub>	$\overline{SS}$	V <sub>SS</sub>	DQb	DQb
F	V <sub>DDQ</sub>	DQc	V <sub>SS</sub>	$\overline{G}$ <sup>(6)</sup>	V <sub>SS</sub>	DQb	V <sub>DDQ</sub>
G	DQc	DQc	$\overline{SBWc}$	NC	$\overline{SBWb}$	DQb	DQb
H	DQc	DQc	V <sub>SS</sub>	NC	V <sub>SS</sub>	DQb	DQb
J	V <sub>DDQ</sub>	V <sub>DD</sub>	V <sub>REF</sub>	V <sub>DD</sub>	V <sub>REF</sub>	V <sub>DD</sub>	V <sub>DDQ</sub>
K	DQd	DQd	V <sub>SS</sub>	K	V <sub>SS</sub>	DQa	DQa
L	DQd	DQd	$\overline{SBWd}$	$\overline{K}$	$\overline{SBWa}$	DQa	DQa
M	V <sub>DDQ</sub>	DQd	V <sub>SS</sub>	$\overline{SW}$	V <sub>SS</sub>	DQa	V <sub>DDQ</sub>
N	DQd	DQd	V <sub>SS</sub>	SA	V <sub>SS</sub>	DQa	DQa
P	DQd	DQd	V <sub>SS</sub>	SA	V <sub>SS</sub>	DQa	DQa
R	NC	SA	M1 <sup>(3)</sup>	V <sub>DD</sub>	M2 <sup>(4)</sup>	SA	NC
T	NC	NC <sup>(1)</sup>	SA	SA	SA	NC <sup>(1)</sup>	ZZ
U	V <sub>DDQ</sub>	TMS	TDI	TCK	TDO	RSVD <sup>(2)</sup>	V <sub>DDQ</sub>

## Notes:

1. Pad Locations 2T and 6T are true no-connects. However, they are defined as SA address inputs in x18 LW SRAMs.
2. Pad Location 6U must be left unconnected. It is used by Sony for internal test purposes.
3. Pad Location 3R is defined as an M1 mode pin in LW SRAMs. However, it must be tied "high" in this device.
4. Pad Location 5R is defined as an M2 mode pin in this device. It must be tied "high" or "low". When M2 is tied "high", this device functions as a conventional 16Mb R-L SRAM. When M2 is tied "low", this device functions as an Error-Correcting 8Mb R-L SRAM.
5. Pad Location 2B is defined as an SA address input in 16Mb LW SRAMs. However, it functions as a conventional SA address input in this device only when M2 is tied "high". It is ignored in this device when M2 is tied "low".
6. Pad Location 4F is defined as a  $\overline{G}$  output enable input in LW SRAMs. However, it must be tied "low" in this device.

## 1M x 18 Pin Assignment (Top View)

	1	2	3	4	5	6	7
A	V <sub>DDQ</sub>	SA	SA	NC	SA	SA	V <sub>DDQ</sub>
B	NC	SA <sup>(5)</sup>	SA	NC	SA	SA	NC
C	NC	SA	SA	V <sub>DD</sub>	SA	SA	NC
D	DQb	NC <sup>(1b)</sup>	V <sub>SS</sub>	ZQ	V <sub>SS</sub>	DQa	NC <sup>(1b)</sup>
E	NC <sup>(1b)</sup>	DQb	V <sub>SS</sub>	$\overline{SS}$	V <sub>SS</sub>	NC <sup>(1b)</sup>	DQa
F	V <sub>DDQ</sub>	NC <sup>(1b)</sup>	V <sub>SS</sub>	$\overline{G}$ <sup>(6)</sup>	V <sub>SS</sub>	DQ6a	V <sub>DDQ</sub>
G	NC <sup>(1b)</sup>	DQb	$\overline{SBWb}$	NC	V <sub>SS</sub>	NC <sup>(1b)</sup>	DQa
H	DQb	NC <sup>(1b)</sup>	V <sub>SS</sub>	NC	V <sub>SS</sub>	DQa	NC <sup>(1b)</sup>
J	V <sub>DDQ</sub>	V <sub>DD</sub>	V <sub>REF</sub>	V <sub>DD</sub>	V <sub>REF</sub>	V <sub>DD</sub>	V <sub>DDQ</sub>
K	NC <sup>(1b)</sup>	DQb	V <sub>SS</sub>	K	V <sub>SS</sub>	NC <sup>(1b)</sup>	DQa
L	DQb	NC <sup>(1b)</sup>	V <sub>SS</sub>	$\overline{K}$	$\overline{SBWa}$	DQa	NC <sup>(1b)</sup>
M	V <sub>DDQ</sub>	DQb	V <sub>SS</sub>	$\overline{SW}$	V <sub>SS</sub>	NC <sup>(1b)</sup>	V <sub>DDQ</sub>
N	DQb	NC <sup>(1b)</sup>	V <sub>SS</sub>	SA	V <sub>SS</sub>	DQa	NC <sup>(1b)</sup>
P	NC <sup>(1b)</sup>	DQb	V <sub>SS</sub>	SA	V <sub>SS</sub>	NC <sup>(1b)</sup>	DQa
R	NC	SA	M1 <sup>(3)</sup>	V <sub>DD</sub>	M2 <sup>(4)</sup>	SA	NC
T	NC	SA	SA	NC <sup>(1a)</sup>	SA	SA	ZZ
U	V <sub>DDQ</sub>	TMS	TDI	TCK	TDO	RSVD <sup>(2)</sup>	V <sub>DDQ</sub>

## Notes:

- 1a. Pad Location 4T is a true no-connect. However, it is defined as an SA address input in x36 LW SRAMs.
- 1b. Pad Locations 2D, 7D, 1E, 6E, 2F, 1G, 6G, 2H, 7H, 1K, 6K, 2L, 7L, 6M, 2N, 7N, 1P, and 6P are true no-connects. However, they are defined as DQ data inputs / outputs in x36 LW SRAMs.
2. Pad Location 6U must be left unconnected. It is used by Sony for internal test purposes.
3. Pad Location 3R is defined as an M1 mode pin in LW SRAMs. However, it must be tied "high" in this device.
4. Pad Location 5R is defined as an M2 mode pin in this device. It must be tied "high" or "low". When M2 is tied "high", this device functions as a conventional 16Mb R-L SRAM. When M2 is tied "low", this device functions as an Error-Correcting 8Mb R-L SRAM.
5. Pad Location 2B is defined as an SA address input in 16Mb LW SRAMs. However, it functions as a conventional SA address input in this device only when M2 is tied "high". It is ignored in this device when M2 is tied "low".
6. Pad Location 4F is defined as a  $\overline{G}$  output enable input in LW SRAMs. However, it must be tied "low" in this device.

## Pin Description

Symbol	Type	Description
SA	Input	Synchronous Address Inputs - Registered on the rising edge of K.
DQa, DQb DQc, DQd	I/O	Synchronous Data Inputs / Outputs - Registered on the rising edge of K during write operations. Driven from the falling edge of K during read operations. DQa - indicates Data Byte a DQb - indicates Data Byte b DQc - indicates Data Byte c DQd - indicates Data Byte d
K, $\bar{K}$	Input	Differential Input Clocks
$\bar{SS}$	Input	Synchronous Select Input - Registered on the rising edge of K. $\bar{SS} = 0$ specifies a write operation when $\bar{SW} = 0$ specifies a read operation when $\bar{SW} = 1$ $\bar{SS} = 1$ specifies a deselect operation
$\bar{SW}$	Input	Synchronous Global Write Enable Input - Registered on the rising edge of K. $\bar{SW} = 0$ specifies a write operation when $\bar{SS} = 0$ $\bar{SW} = 1$ specifies a read operation when $\bar{SS} = 0$
$\bar{SBW}a, \bar{SBW}b,$ $\bar{SBW}c, \bar{SBW}d$	Input	Synchronous Byte Write Enable Inputs - Registered on the rising edge of K. $\bar{SBW}a = 0$ specifies write Data Byte a when $\bar{SS} = 0$ and $\bar{SW} = 0$ $\bar{SBW}b = 0$ specifies write Data Byte b when $\bar{SS} = 0$ and $\bar{SW} = 0$ $\bar{SBW}c = 0$ specifies write Data Byte c when $\bar{SS} = 0$ and $\bar{SW} = 0$ $\bar{SBW}d = 0$ specifies write Data Byte d when $\bar{SS} = 0$ and $\bar{SW} = 0$
$\bar{G}$	Input	Asynchronous Output Enable Input - Not supported. This control pin must be tied "low".
ZZ	Input	Asynchronous Sleep Mode Input - Asserted (high) forces the SRAM into low-power mode.
M1	Input	Read Operation Protocol Select 1 - This mode pin must be tied "high" to select Register - Latch read operations.
M2	Input	Read Operation Protocol Select 2 - This mode pin must be tied "high" or "low". M2 = 0 selects Error-Correcting 8Mb R-L functionality M2 = 1 selects conventional 16Mb R-L functionality
ZQ	Input	Output Impedance Control Resistor Input
V <sub>DD</sub>		3.3V Core Power Supply - Core supply voltage.
V <sub>DDQ</sub>		Output Power Supply - Output buffer supply voltage.
V <sub>REF</sub>		Input Reference Voltage - Input buffer threshold voltage.
V <sub>SS</sub>		Ground
TCK	Input	JTAG Clock
TMS	Input	JTAG Mode Select
TDI	Input	JTAG Data In
TDO	Output	JTAG Data Out
RSVD		Reserved - This pin is used for Sony test purposes only. It must be left unconnected.
NC		No Connect - These pins are true no-connects, i.e. there is no internal chip connection to these pins. They can be left unconnected or tied directly to V <sub>DD</sub> , V <sub>DDQ</sub> , or V <sub>SS</sub> .

### •Clock Truth Table

K	ZZ	$\overline{SS}$ ( $t_n$ )	$\overline{SW}$ ( $t_n$ )	$\overline{SBW}_X$ ( $t_n$ )	Operation	DQ ( $t_n$ )	DQ ( $t_{n+1}$ )
X	H	X	X	X	Sleep (Power Down) Mode	Hi - Z	Hi - Z
L→H	L	H	X	X	Deselect	Hi - Z	X
L→H	L	L	H	X	Read	Q( $t_n$ )	X
L→H	L	L	L	L	Write All Bytes	Hi - Z	D( $t_n$ )
L→H	L	L	L	X	Write Bytes With $\overline{SBW}_X = L$	Hi - Z	D( $t_n$ )
L→H	L	L	L	H	Abort Write	Hi - Z	X

### •Dynamic M2 Mode Pin State Changes

Although M2 is defined as a static input (that is, it must be tied “high” or “low” at power-up), in some instance (such as during device testing) it may be desirable to change its state dynamically (that is, without first powering off the SRAM) while preserving the contents of the memory array. If so, the following criteria must be met:

1. At least two (2) consecutive deselect operations must be initiated prior to changing the state of M2, to ensure that the most recent read or write operation completes successfully.
2. At least thirty-two (32) consecutive deselect operations must be initiated after changing the state of M2 before any read or write operations can be initiated, to allow the SRAM sufficient time to recognize the change in state.

### •Sleep (Power Down) Mode

Sleep (power down) mode is provided through the asynchronous input signal ZZ. When ZZ is asserted (high), the output drivers will go to a Hi-Z state, and the SRAM will begin to draw standby current. Contents of the memory array will be preserved. An enable time ( $t_{ZZE}$ ) must be met before the SRAM is guaranteed to be in sleep mode, and a recovery time ( $t_{ZZR}$ ) must be met before the SRAM can resume normal operation.

### •Programmable Impedance Output Drivers

These devices have programmable impedance output drivers. The output impedance is controlled by an external resistor, RQ, connected between the SRAM's ZQ pin and  $V_{SS}$ , and is equal to one-fifth the value of this resistor, nominally. See the DC Electrical Characteristics section for further information.

The output impedance is updated whenever the output drivers are in a Hi-Z state. Consequently, impedance updates will occur during write and deselect operations. At power up, 8192 clock cycles followed by an impedance update via one of the three methods described above are required to ensure that the output impedance has reached the desired value. After power up, periodic impedance updates via write or deselect operations are also required to ensure that the output impedance remains within specified tolerances.

### •Power-Up Sequence

For reliability purposes, Sony recommends that power supplies power up in the following sequence:  $V_{SS}$ ,  $V_{DD}$ ,  $V_{DDQ}$ ,  $V_{REF}$ , and Inputs.  $V_{DDQ}$  should never exceed  $V_{DD}$ . If this power supply sequence cannot be met, a large bypass diode may be required between  $V_{DD}$  and  $V_{DDQ}$ . Please contact Sony Memory Application Department for further information.

### •Absolute Maximum Ratings<sup>(1)</sup>

Item	Symbol	Rating	Units
Supply Voltage	$V_{DD}$	-0.5 to +3.8	V
Output Supply Voltage	$V_{DDQ}$	-0.5 to +2.3	V
Input Voltage (Address, Control, Data, Clock)	$V_{IN}$	-0.5 to $V_{DDQ} + 0.5$	V
Input Voltage (M1, M2)	$V_{MIN}$	-0.5 to $V_{DD} + 0.5$ (3.8V max.)	V
Input Voltage (TCK, TMS, TDI)	$V_{TIN}$	-0.5 to +3.8V	V
Operating Temperature	$T_A$	0 to 85	°C
Junction Temperature	$T_J$	0 to 110	°C
Storage Temperature	$T_{STG}$	-55 to 150	°C

<sup>(1)</sup> Stresses greater than those listed under “Absolute Maximum Ratings” may cause permanent damage to the device. This is a stress rating only, and functional operation of the device at these or any other conditions other than those indicated in the operational sections of this specification is not implied. Exposure to absolute maximum rating conditions for extended periods may affect reliability.

### •BGA Package Thermal Characteristics

Item	Symbol	Rating	Units
Junction to Case Temperature	$\Theta_{JC}$	1.0	°C/W

### •I/O Capacitance

( $T_A = 25^\circ\text{C}$ ,  $f = 1\text{ MHz}$ )

Item	Symbol	Test conditions	Min	Max	Units	
Input Capacitance	Address	$C_{ADDR}$	$V_{IN} = 0V$	---	4.2	pF
	Control	$C_{CTRL}$	$V_{IN} = 0V$	---	4.2	pF
	Clock	$C_{CLK}$	$V_{IN} = 0V$	---	3.5	pF
Output Capacitance	Data	$C_{DATA}$	$V_{OUT} = 0V$	---	4.8	pF

Note: These parameters are sampled and are not 100% tested.

## •DC Recommended Operating Conditions

(V<sub>SS</sub> = 0V, T<sub>A</sub> = 0 to 85°C)

Item	Symbol	Min	Typ	Max	Units	Notes
Supply Voltage	V <sub>DD</sub>	3.13	3.3	3.47	V	
Output Supply Voltage	V <sub>DDQ</sub>	1.8	1.9	2.0	V	
Input Reference Voltage	V <sub>REF</sub>	0.7	0.85	1.0	V	1
Input High Voltage (Address, Control, Data)	V <sub>IH</sub>	V <sub>REF</sub> + 0.1	---	V <sub>DDQ</sub> + 0.3	V	2
Input Low Voltage (Address, Control, Data)	V <sub>IL</sub>	-0.3	---	V <sub>REF</sub> - 0.1	V	3
Input High Voltage (M1, M2)	V <sub>MIH</sub>	1.3	---	V <sub>DD</sub> + 0.3	V	
Input Low Voltage (M1, M2)	V <sub>MIL</sub>	-0.3	---	0.4	V	
Clock Input Signal Voltage	V <sub>KIN</sub>	-0.3	---	V <sub>DDQ</sub> + 0.3	V	
Clock Input Differential Voltage	V <sub>DIF</sub>	0.2	---	V <sub>DDQ</sub> + 0.6	V	
Clock Input Common Mode Voltage	V <sub>CM</sub>	0.7	---	1.3	V	

1. The peak-to-peak AC component superimposed on V<sub>REF</sub> may not exceed 5% of the DC component.
2. V<sub>IH</sub> (max) AC = V<sub>DDQ</sub> + 1.0V for pulse widths less than one-quarter of the cycle time (t<sub>CYC</sub>/4).
3. V<sub>IL</sub> (min) AC = -1.0V for pulse widths less than one-quarter of the cycle time (t<sub>CYC</sub>/4).

## •DC Electrical Characteristics

 $(V_{DD} = 3.3V \pm 5\%, V_{SS} = 0V, T_A = 0 \text{ to } 85^\circ\text{C})$ 

Item	Symbol	Test Conditions	Min	Typ	Max	Units	Notes
Input Leakage Current (Address, Control, Clock)	$I_{LI}$	$V_{IN} = V_{SS} \text{ to } V_{DDQ}$	-5	---	5	uA	
Input Leakage Current (M1, M2)	$I_{MLI}$	$V_{MIN} = V_{SS} \text{ to } V_{DD}$	-10	---	10	uA	
Input Leakage Current (Data)	$I_{DLI}$	$V_{DIN} = V_{SS} \text{ to } V_{DDQ}$	-10	---	10	uA	
Average Power Supply Operating Current	$I_{DD}$	$I_{OUT} = 0 \text{ mA}$ $\overline{SS} = V_{IL}, ZZ = V_{IL}$	---	---	750	mA	1
Power Supply Standby Current	$I_{SB}$	$I_{OUT} = 0 \text{ mA}$ $ZZ = V_{IH}$	---	---	250	mA	
Output High Voltage	$V_{OH}$	$I_{OH} = -6.0 \text{ mA}$ $RQ = 250\Omega$	$V_{DDQ}-0.4$	---	---	V	
Output Low Voltage	$V_{OL}$	$I_{OL} = 6.0 \text{ mA}$ $RQ = 250\Omega$	---	---	0.4	V	
Output Driver Impedance	$R_{OUT}$	$V_{OH}, V_{OL} = V_{DDQ}/2$ $RQ < 125\Omega$	---	---	27 (25*1.1)	$\Omega$	2,4
		$V_{OH}, V_{OL} = V_{DDQ}/2$ $125\Omega \leq RQ \leq 300\Omega$	$(RQ/5)^*$ 0.9	$RQ/5$	$(RQ/5)^*$ 1.1	$\Omega$	4
		$V_{OH}, V_{OL} = V_{DDQ}/2$ $RQ > 300\Omega$	54 (60*0.9)	---	---	$\Omega$	3,4

1. This parameter applies to all speed bins (-4, -42, -43, and -44) in both device configurations (x18 and x36).
2. For maximum output drive (i.e. minimum impedance), the ZQ pin can be tied directly to  $V_{SS}$ .
3. For minimum output drive (i.e. maximum impedance), the ZQ pin can be left unconnected or tied to  $V_{DDQ}$ .
4. This parameter is guaranteed by design through extensive corner lot characterization.



## •AC Electrical Characteristics

Parameter	Symbol	-4		-42		-43		-44		Units	Notes
		Min	Max	Min	Max	Min	Max	Min	Max		
K Cycle Time	$t_{KHKH}$	4.0	---	4.2	---	4.3	---	4.4	---	ns	
K Clock High Pulse Width	$t_{KHKL}$	1.5	---	1.5	---	1.5	---	1.5	---	ns	
K Clock Low Pulse Width	$t_{KLKH}$	1.5	---	1.5	---	1.5	---	1.5	---	ns	
Address Setup Time	$t_{AVKH}$	0.3	---	0.5	---	0.5	---	0.5	---	ns	1
Address Hold Time	$t_{KHAX}$	0.5	---	0.5	---	0.5	---	0.5	---	ns	2
Write Enables Setup Time	$t_{WVKH}$	0.3	---	0.5	---	0.5	---	0.5	---	ns	1
Write Enables Hold Time	$t_{KHWX}$	0.5	---	0.5	---	0.5	---	0.5	---	ns	2
Synchronous Select Setup Time	$t_{SVKH}$	0.3	---	0.5	---	0.5	---	0.5	---	ns	1
Synchronous Select Hold Time	$t_{KHSX}$	0.5	---	0.5	---	0.5	---	0.5	---	ns	2
Data Input Setup Time	$t_{DVKH}$	0.3	---	0.5	---	0.5	---	0.5	---	ns	1
Data Input Hold Time	$t_{KHDX}$	0.5	---	0.5	---	0.5	---	0.5	---	ns	2
K Clock High to Output Valid ("A" Sub-Bin) ("B" Sub-Bin)	$t_{KHQV}$	---	3.9 3.8 3.7	---	4.2 4.1 4.0	---	4.5 4.4 4.3	---	4.7	ns	
K Clock Low to Output Valid	$t_{KLQV}$	---	1.8	---	2.0	---	2.1	---	2.2	ns	
K Clock Low to Output Hold	$t_{KLQX}$	0.5	---	0.5	---	0.5	---	0.5	---	ns	3
K Clock Low to Output Low-Z	$t_{KLQX1}$	0.5	---	0.5	---	0.5	---	0.5	---	ns	3,4
K Clock High to Output High-Z	$t_{KHQZ}$	1.2	2.2	1.2	2.3	1.2	2.4	1.2	2.5	ns	3,4
Sleep Mode Enable Time	$t_{ZZE}$	---	15	---	15	---	15	---	15	ns	3
Sleep Mode Recovery Time	$t_{ZZR}$	20	---	20	---	20	---	20	---	ns	3

All parameters are specified over the range  $T_A = 0$  to  $85^\circ\text{C}$ .

All parameters are measured from the mid-point of the object signal to the mid-point of the reference signal, unless otherwise noted.

1. These parameters are measured from  $V_{REF} \pm 200\text{mV}$  to the clock mid-point ("4" bin only).
2. These parameters are measured from  $V_{REF} \pm 200\text{mV}$  to the clock mid-point.
3. These parameters are sampled and are not 100% tested.
4. These parameters are measured at  $\pm 50\text{mV}$  from steady state voltage.

•AC Electrical Characteristics (Guaranteed By Design)

Parameter	Symbol	-4		Units	Notes
		Min	Max		
K Clock High to Output High-Z	$t_{KHQZ}$	$t_{KHQV} - 2.4$	2.0	ns	1,2,3

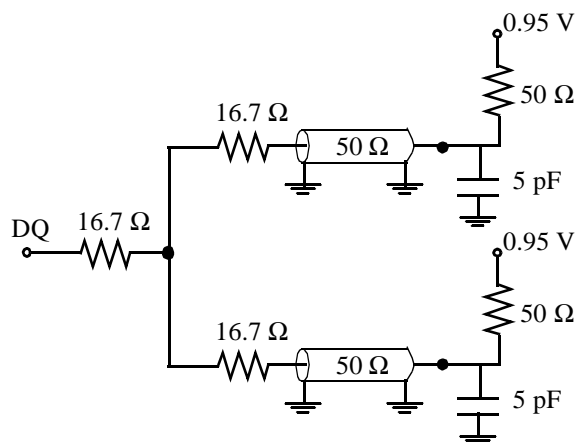
1. This parameter is applicable when  $t_{KHQV} \leq 3.8\text{ns}$ .
2. This parameter is measured at the gate of the output driver of the SRAM.
3. Please refer to the previous page (p. 9) of this document for information concerning to what specification this parameter is tested.

•AC Test Conditions

( $V_{DD} = 3.3V \pm 5\%$ ,  $V_{DDQ} = 1.9V \pm 0.1V$ ,  $T_A = 0$  to  $85^\circ C$ )

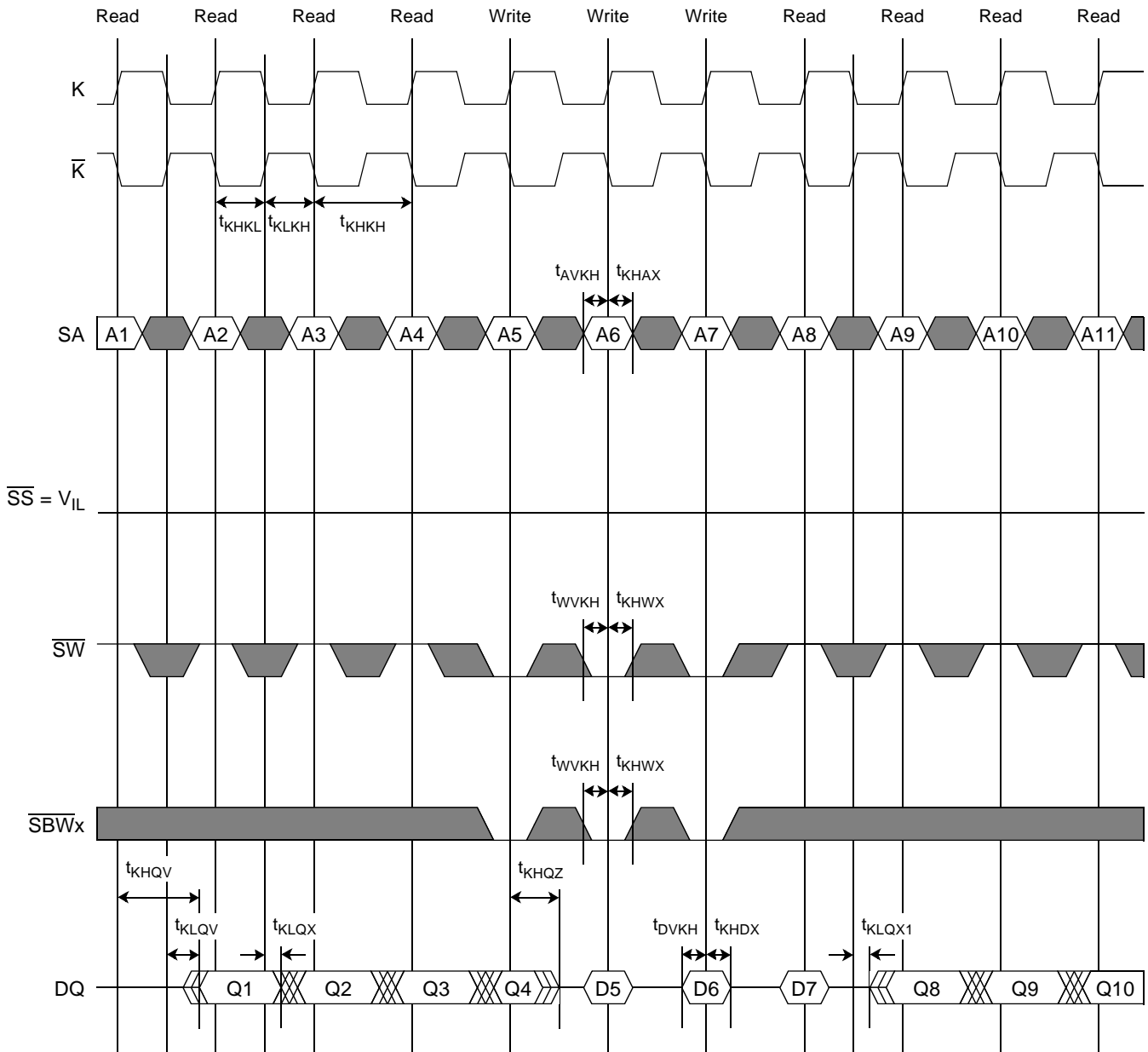
Item	Symbol	Conditions	Units	Notes
Input Reference Voltage	$V_{REF}$	0.85	V	
Address / Control Input High Level	$V_{CAIH}$	1.45	V	
Address / Control Input Low Level	$V_{CAIL}$	0.35	V	
Data Input High Level	$V_{DIH}$	1.25	V	
Data Input Low Level	$V_{DIL}$	0.55	V	
Input Rise & Fall Time		2.0	V/ns	
Input Reference Level		0.85	V	
Clock Input High Voltage	$V_{KIH}$	1.45	V	$V_{DIF} = 0.7V$
Clock Input Low Voltage	$V_{KIL}$	0.75	V	$V_{DIF} = 0.7V$
Clock Input Common Mode Voltage	$V_{CM}$	1.10	V	
Clock Input Rise & Fall Time		2.0	V/ns	
Clock Input Reference Level		K/ $\bar{K}$ cross	V	
Output Reference Level		0.95	V	
Output Load Conditions				Fig.1 $R_Q = 250\Omega$

Figure 1: AC Test Output Load



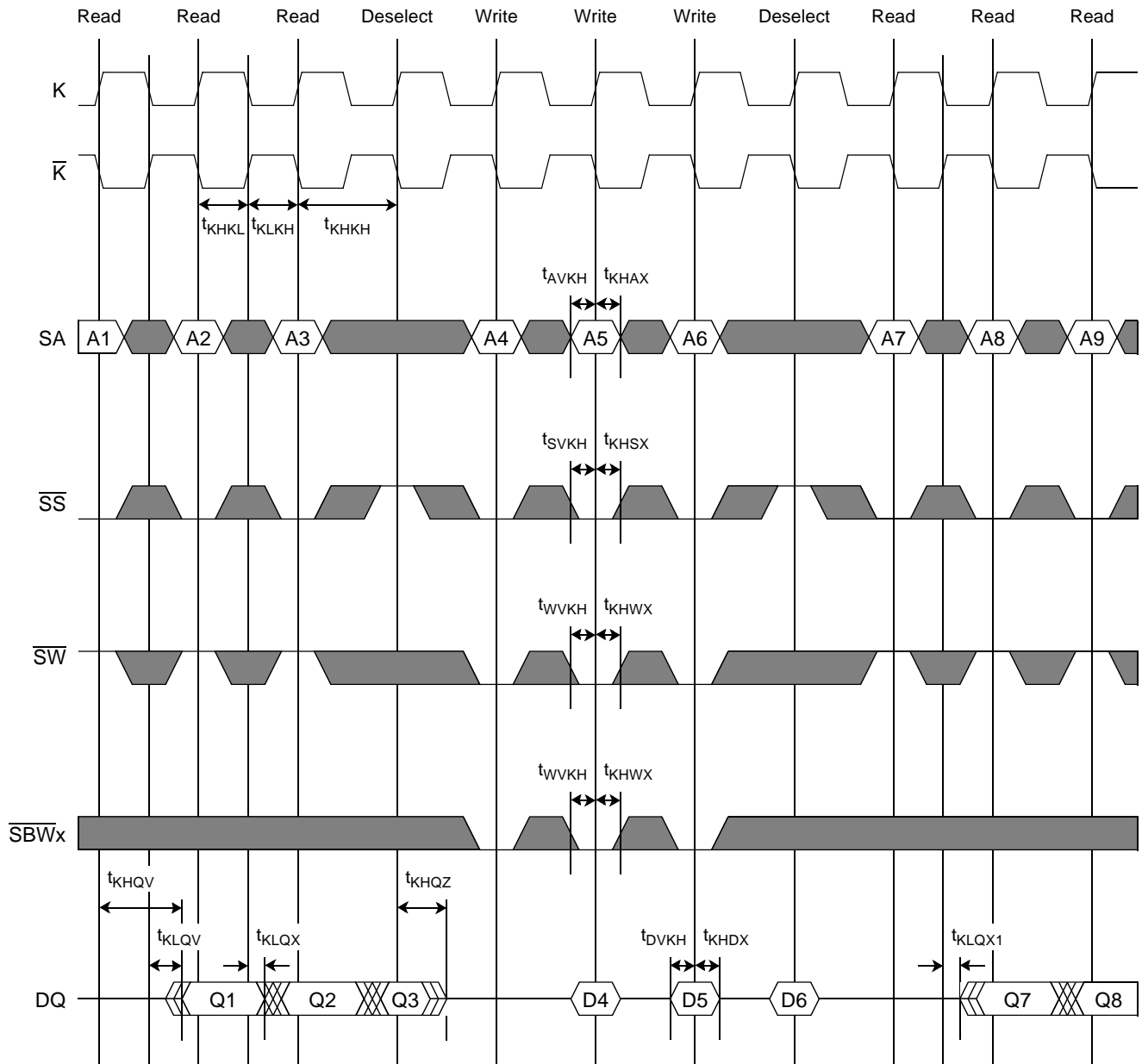
**Timing Diagram of Read-Write-Read Operations  
Synchronously Controlled via  $\overline{SW}$  ( $\overline{SS} = \text{Low}$ )**

**Figure 2**



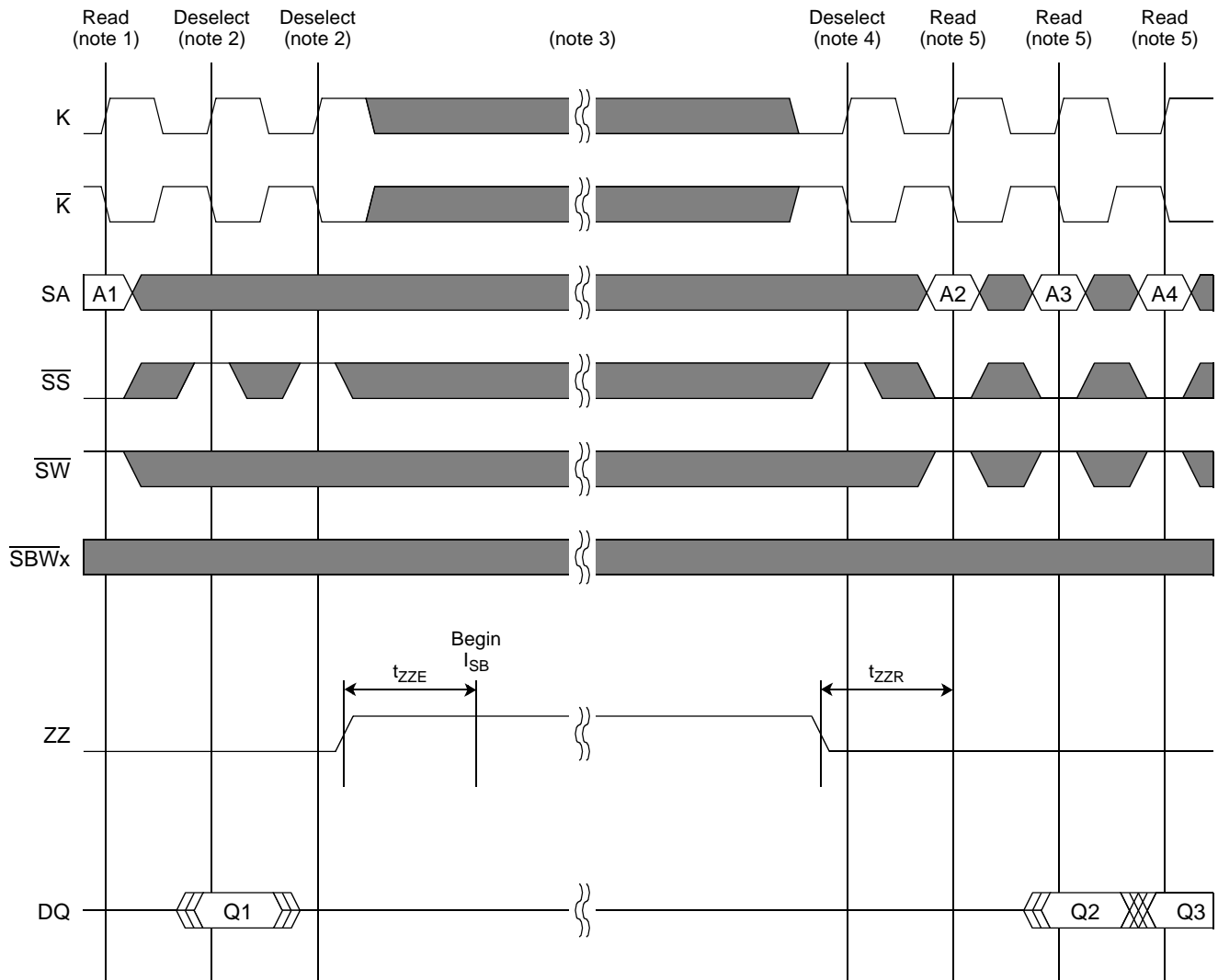
**Timing Diagram of Read-Write-Read Operations  
Synchronously Controlled via  $\overline{SS}$  and Deselect Operations**

**Figure 3**



**Timing Diagram of Sleep (Power-Down) Mode Operation  
Asynchronously Controlled via ZZ**

**Figure 4**



Note 1: This can be ANY valid operation. The depiction of a Read operation here is provided only as an example.

Note 2: Before ZZ is asserted, at least two (2) Deselect operations must be initiated after the last Read or Write operation is initiated, in order to ensure the successful completion of the last Read or Write operation.

Note 3: While ZZ is asserted, all of the SRAM's address, control, data, and clock inputs are ignored.

Note 4: After ZZ is deasserted, Deselect operations must be initiated until the specified recovery time ( $t_{ZZR}$ ) has been met. Read and Write operations may NOT be initiated during this time.

Note 5: This can be ANY valid operation. The depiction of a Read operation here is provided only as an example.

## •Test Mode Description

These devices provide a JTAG Test Access Port (TAP) and Boundary Scan interface using a limited set of IEEE std. 1149.1 functions. This test mode is intended to provide a mechanism for testing the interconnect between master (processor, controller, etc.), SRAMs, other components, and the printed circuit board.

In conformance with a subset of IEEE std. 1149.1, these devices contain a TAP Controller and four TAP Registers. The TAP Registers consist of one Instruction Register and three Data Registers (ID, Bypass, and Boundary Scan Registers).

The TAP consists of the following four signals:

TCK: Test Clock	Induces (clocks) TAP Controller state transitions.
TMS: Test Mode Select	Inputs commands to the TAP Controller. Sampled on the rising edge of TCK.
TDI: Test Data In	Inputs data serially to the TAP Registers. Sampled on the rising edge of TCK.
TDO: Test Data Out	Outputs data serially from the TAP Registers. Driven from the falling edge of TCK.

## Disabling the TAP

When JTAG is not used, TCK should be tied “low” to prevent clocking the SRAM. TMS and TDI should either be tied “high” through a pull-up resistor or left unconnected. TDO should be left unconnected.

Note: Operation of the TAP does not interfere with normal SRAM operation except when the SAMPLE-Z instruction is selected (see page 20 for further information). Consequently, TCK, TMS, and TDI can be controlled any number of ways without adversely affecting the functionality of the device.

## JTAG DC Recommended Operating Conditions

( $V_{DD} = 3.3V \pm 5\%$ ,  $T_A = 0$  to  $85^\circ C$ )

Parameter	Symbol	Test Conditions	Min	Max	Units
JTAG Input High Voltage	$V_{TIH}$	---	1.4	3.6	V
JTAG Input Low Voltage	$V_{TIL}$	---	-0.3	0.8	V
JTAG Output High Voltage (CMOS)	$V_{TOH}$	$I_{TOH} = -100\mu A$	2.6	---	V
JTAG Output Low Voltage (CMOS)	$V_{TOL}$	$I_{TOL} = 100\mu A$	---	0.1	V
JTAG Output High Voltage (TTL)	$V_{TOH}$	$I_{TOH} = -8.0mA$	2.3	---	V
JTAG Output Low Voltage (TTL)	$V_{TOL}$	$I_{TOL} = 8.0mA$	---	0.4	V
JTAG Input Leakage Current	$I_{TLI}$	$V_{TIN} = 0V$ to $3.6V$	-10	10	$\mu A$

## JTAG AC Test Conditions

( $V_{DD} = 3.3V \pm 5\%$ ,  $T_A = 0$  to  $85^\circ C$ )

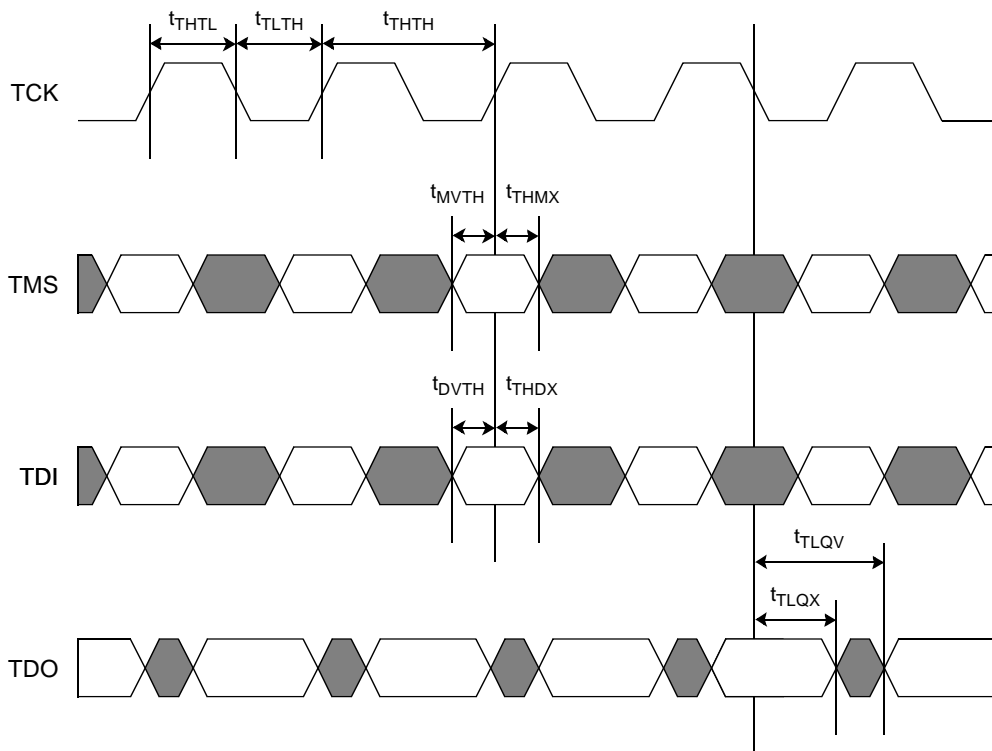
Parameter	Symbol	Conditions	Units	Notes
JTAG Input High Level	$V_{TIH}$	3.0	V	
JTAG Input Low Level	$V_{TIL}$	0.0	V	
JTAG Input Rise & Fall Time		1.0	V/ns	
JTAG Input Reference Level		1.5	V	
JTAG Output Reference Level		1.5	V	
JTAG Output Load Condition				See Fig.1 (page 11)

**JTAG AC Electrical Characteristics**

Parameter	Symbol	Min	Max	Unit
TCK Cycle Time	$t_{THTH}$	100		ns
TCK High Pulse Width	$t_{THTL}$	40		ns
TCK Low Pulse Width	$t_{TLTH}$	40		ns
TMS Setup Time	$t_{MVTH}$	10		ns
TMS Hold Time	$t_{THMX}$	10		ns
TDI Setup Time	$t_{DVTH}$	10		ns
TDI Hold Time	$t_{THDX}$	10		ns
TCK Low to TDO Valid	$t_{TLQV}$		20	ns
TCK Low to TDO Hold	$t_{TLQX}$	0		ns

**JTAG Timing Diagram**

Figure 5





## TAP Registers

TAP Registers are serial shift registers that capture serial input data (from TDI) on the rising edge of TCK, and drive serial output data (to TDO) on the subsequent falling edge of TCK. They are divided into two groups: “Instruction Registers”, of which there is one- the Instruction Register, and “Data Registers”, of which there are three - the ID Register, the Bypass Register, and the Boundary Scan Register. Individual TAP registers are “selected” (inserted between TDI and TDO) when the appropriate sequence of commands is given to the TAP Controller.

### Instruction Register (3 bits)

The Instruction Register stores the instructions that are executed by the TAP Controller when the TAP Controller is in the “Run-Test / Idle” state, or in any of the various “Data Register” states. It is loaded with the IDCODE instruction at power-up, or when the TAP Controller is in the “Test-Logic Reset” state or the “Capture-IR” state. It is inserted between TDI and TDO when the TAP Controller is in the “Shift-IR” state, at which time it can be loaded with a new instruction. However, newly loaded instructions are not executed by the TAP Controller until the TAP Controller has reached the “Update-IR” state.

The Instruction Register is 3 bits wide, and is encoded as follows:

Code (2:0)	Instruction	Description
000	BYPASS	Inserts the Bypass Register between TDI and TDO.
001	IDCODE	Inserts the ID Register between TDI and TDO.
010	SAMPLE-Z	Captures the SRAM’s I/O ring contents in the Boundary Scan Register. Inserts the Boundary Scan Register between TDI and TDO. Disables the SRAM’s data output drivers.
011	BYPASS	Inserts the Bypass Register between TDI and TDO.
100	SAMPLE	Captures the SRAM’s I/O ring contents in the Boundary Scan Register. Inserts the Boundary Scan Register between TDI and TDO.
101	PRIVATE	Do not use. Reserved for manufacturer use only.
110	BYPASS	Inserts the Bypass Register between TDI and TDO.
111	BYPASS	Inserts the Bypass Register between TDI and TDO.

Bit 0 is the LSB of the Instruction Register, and Bit 2 is the MSB. When the Instruction Register is selected, TDI serially shifts data into the MSB, and the LSB serially shifts data out through TDO.

### ID Register (32 bits)

The ID Register is loaded with a predetermined device- and manufacturer-specific identification code when the IDCODE instruction has been loaded into the Instruction Register and the TAP Controller is in the “Capture-DR” state. It is inserted between TDI and TDO when the IDCODE instruction has been loaded into the Instruction Register and the TAP Controller is in the “Shift-DR” state.

The ID Register is 32 bits wide, and is encoded as follows:

Device	Revision Number (31:28)	Part Number (27:12)	Sony ID (11:1)	Start Bit (0)
512K x 36	xxxx	0000 0000 0100 1010	0000 1110 001	1
1M x 18	xxxx	0000 0000 0100 1011	0000 1110 001	1

Bit 0 is the LSB of the ID Register, and Bit 31 is the MSB. When the ID Register is selected, TDI serially shifts data into the MSB, and the LSB serially shifts data out through TDO.

**Bypass Register (1 bit)**

The Bypass Register is one bit wide, and provides the minimum length serial path between TDI and TDO. It is loaded with a logic “0” when the BYPASS instruction has been loaded in the the Instruction Register and the TAP Controller is in the “Capture-DR” state. It is inserted between TDI and TDO when the BYPASS instruction has been loaded into the Instruction Register and the TAP Controller is in the “Shift-DR” state.

**Boundary Scan Register (70 bits for x36, 51 bits for x18)**

The Boundary Scan Register is equal in length to the number of active signal connections to the SRAM (excluding the TAP pins) plus a number of place holder locations reserved for density and/or functional upgrades. The Boundary Scan Register is loaded with the contents of the SRAM’s I/O ring when the SAMPLE or SAMPLE-Z instruction has been loaded into the Instruction Register and the TAP Controller is in the “Capture-DR” state. It is inserted between TDI and TDO when the SAMPLE or SAMPLE-Z instruction has been loaded into the Instruction Register and the TAP Controller is in the “Shift-DR” state.

The Boundary Scan Register contains the following bits:

512K x 36		1M x 18	
DQ	36	DQ	18
SA	19	SA	20
K, $\bar{K}$	2	K, $\bar{K}$	2
$\overline{SS}$ , $\overline{SW}$ , $\overline{SBW}_x$	6	$\overline{SS}$ , $\overline{SW}$ , $\overline{SBW}_x$	4
$\bar{G}$ , ZZ	2	$\bar{G}$ , ZZ	2
M1, M2	2	M1, M2	2
ZQ	1	ZQ	1
Place Holder	2	Place Holder	2

For deterministic results, all signals composing the SRAM’s I/O ring must meet setup and hold times with respect to TCK (same as TDI and TMS) when sampled.

$K/\bar{K}$  are connected to a differential input receiver that generates a single-ended input clock signal to the device. Therefore, in order to capture specific values for these signals in the Boundary Scan Register, these signals must be at opposite logic levels when sampled.

Place Holders are required for some NC pins to allow for future density and/or functional upgrades. They are connected to  $V_{SS}$  internally, regardless of pin connection externally.

The Boundary Scan Order Assignment table that follows depicts the order in which the bits from the table above are arranged in the Boundary Scan Register. In the notation, Bit 1 is the LSB bit of the register. When the Boundary Scan Register is selected, TDI serially shifts data into the MSB, and the LSB serially shifts data out through TDO.

### Boundary Scan Order Assignments (By Exit Sequence)

512K x 36

Bit	Signal	Pad	Bit	Signal	Pad
1	M2	5R	36	SA	3B
2	SA	4P	37	SA <sup>(2)</sup>	2B
3	SA	4T	38	SA	3A
4	SA	6R	39	SA	3C
5	SA	5T	40	SA	2C
6	ZZ	7T	41	SA	2A
7	DQa	6P	42	DQc	2D
8	DQa	7P	43	DQc	1D
9	DQa	6N	44	DQc	2E
10	DQa	7N	45	DQc	1E
11	DQa	6M	46	DQc	2F
12	DQa	6L	47	DQc	2G
13	DQa	7L	48	DQc	1G
14	DQa	6K	49	DQc	2H
15	DQa	7K	50	DQc	1H
16	$\overline{\text{SBW}}\text{a}$	5L	51	$\overline{\text{SBW}}\text{c}$	3G
17	$\overline{\text{K}}$	4L	52	ZQ	4D
18	K	4K	53	$\overline{\text{SS}}$	4E
19	$\overline{\text{G}}$	4F	54	NC <sup>(1)</sup>	4G
20	$\overline{\text{SBW}}\text{b}$	5G	55	NC <sup>(1)</sup>	4H
21	DQb	7H	56	$\overline{\text{SW}}$	4M
22	DQb	6H	57	$\overline{\text{SBW}}\text{d}$	3L
22	DQb	7G	58	DQd	1K
24	DQb	6G	59	DQd	2K
25	DQb	6F	60	DQd	1L
26	DQb	7E	61	DQd	2L
27	DQb	6E	62	DQd	2M
28	DQb	7D	63	DQd	1N
29	DQb	6D	64	DQd	2N
30	SA	6A	65	DQd	1P
31	SA	6C	66	DQd	2P
32	SA	5C	67	SA	3T
33	SA	5A	68	SA	2R
34	SA	6B	69	SA	4N
35	SA	5B	70	M1	3R

1M x 18

Bit	Signal	Pad	Bit	Signal	Pad
1	M2	5R	36	$\overline{\text{SBW}}\text{b}$	3G
2	SA	6T	37	ZQ	4D
3	SA	4P	38	$\overline{\text{SS}}$	4E
4	SA	6R	39	NC <sup>(1)</sup>	4G
5	SA	5T	40	NC <sup>(1)</sup>	4H
6	ZZ	7T	41	$\overline{\text{SW}}$	4M
7	DQa	7P	42	DQb	2K
8	DQa	6N	43	DQb	1L
9	DQa	6L	44	DQb	2M
10	DQa	7K	45	DQb	1N
11	$\overline{\text{SBW}}\text{a}$	5L	46	DQb	2P
12	$\overline{\text{K}}$	4L	47	SA	3T
13	K	4K	48	SA	2R
14	$\overline{\text{G}}$	4F	49	SA	4N
15	DQa	6H	50	SA	2T
16	DQa	7G	51	M1	3R
17	DQa	6F	52		
18	DQa	7E	53		
19	DQa	6D	54		
20	SA	6A	55		
21	SA	6C	56		
22	SA	5C	57		
22	SA	5A	58		
24	SA	6B	59		
25	SA	5B	60		
26	SA	3B	61		
27	SA <sup>(2)</sup>	2B	62		
28	SA	3A	63		
29	SA	3C	64		
30	SA	2C	65		
31	SA	2A	66		
32	DQb	1D	67		
33	DQb	2E	68		
34	DQb	2G	69		
35	DQb	1H	70		

Note 1: NC pins at pad locations 4G and 4H are connected to  $V_{SS}$  internally, regardless of pin connection externally.

Note 2: SA pin at pad location 2B has a small pull-down device. Consequently, if the pin is left unconnected, a logic level "0" will be read from this location in the Boundary Scan Register. However, if the pin is NOT left unconnected, the logic level applied to the pin will be read from this location in the Boundary Scan Register.

## **TAP Instructions**

### **IDCODE**

IDCODE is the default instruction loaded into the Instruction Register at power-up, and when the TAP Controller is in the “Test-Logic Reset” state.

When the IDCODE instruction is selected, a predetermined device- and manufacturer-specific identification code is loaded into the ID Register when the TAP Controller is in the “Capture-DR” state, and the ID Register is inserted between TDI and TDO when the TAP Controller is in the “Shift-DR” state.

Normal SRAM operation is not disrupted when the IDCODE instruction is selected.

### **BYPASS**

When the BYPASS instruction is selected, a logic “0” is loaded into the Bypass Register when the TAP Controller is in the “Capture-DR” state, and the Bypass Register is inserted between TDI and TDO when the TAP Controller is in the “Shift-DR” state.

Normal SRAM operation is not disrupted when the BYPASS instruction is selected.

### **SAMPLE**

When the SAMPLE instruction is selected, the individual logic states of all signals composing the SRAM’s I/O ring (see the Boundary Scan Register description for the complete list of signals) are loaded into the Boundary Scan Register when the TAP Controller is in the “Capture-DR” state, and the Boundary Scan Register is inserted between TDI and TDO when the TAP Controller is in the “Shift-DR” state.

Normal SRAM operation is not disrupted when the SAMPLE instruction is selected.

### **SAMPLE-Z**

When the SAMPLE-Z instruction is selected, the individual logic states of all signals composing the SRAM’s I/O ring (see the Boundary Scan Register description for the complete list of signals) are loaded into the Boundary Scan Register when the TAP Controller is in the “Capture-DR” state, and the Boundary Scan Register is inserted between TDI and TDO when the TAP Controller is in the “Shift-DR” state.

Additionally, when the SAMPLE-Z instruction is selected, the SRAM’s data output drivers are *disabled* (that is, the DQ I/O buffers are forced to an input state).

Consequently, normal SRAM operation is disrupted when the SAMPLE-Z instruction is selected. Read operations initiated while the SAMPLE-Z instruction is selected will fail.

**TAP Controller**

The TAP Controller is a 16-state state machine that controls access to the various TAP Registers and executes the operations associated with each TAP Instruction. State transitions are controlled by TMS and occur on the rising edge of TCK.

The TAP Controller enters the “Test-Logic Reset” state in one of two ways:

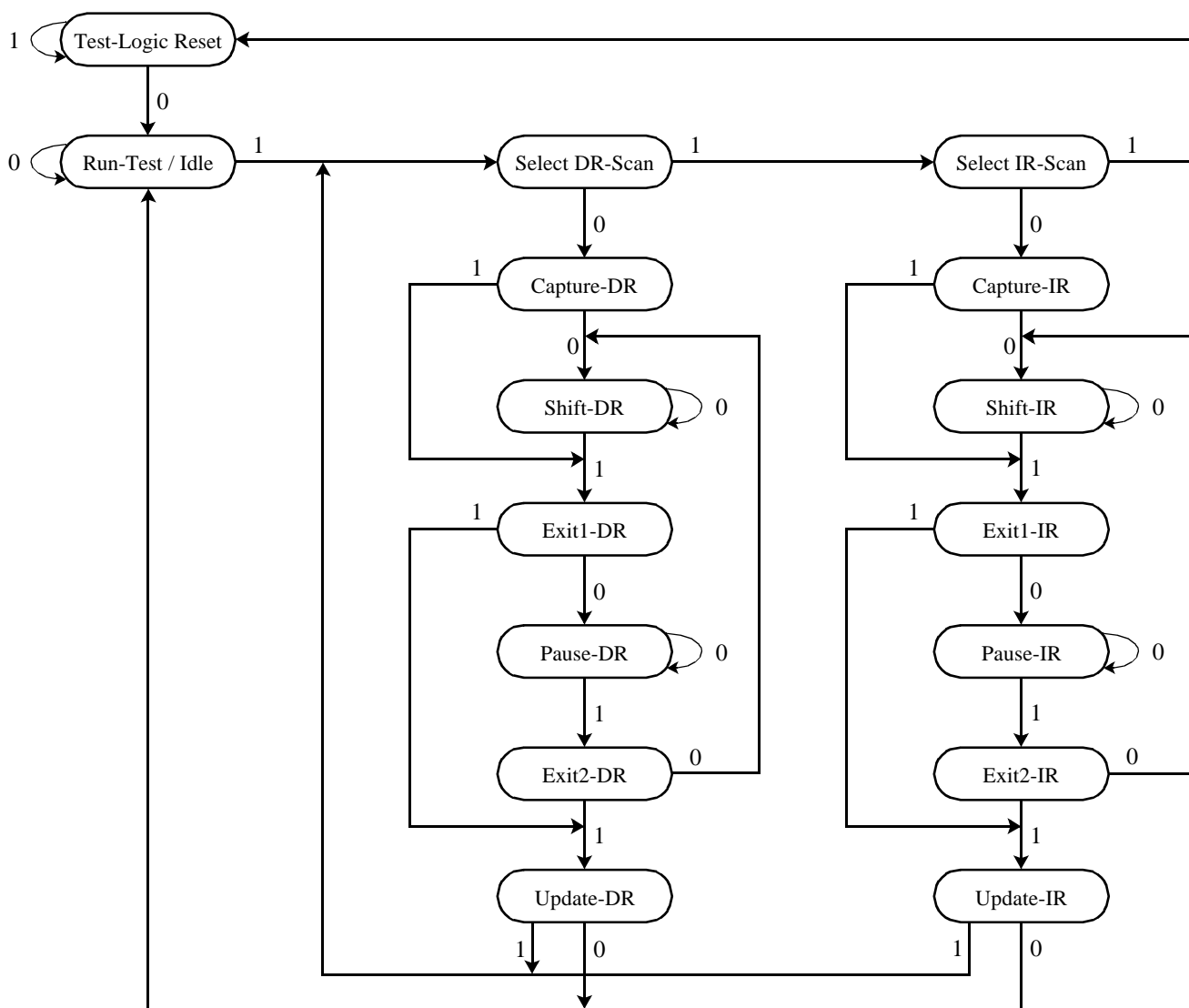
1. At power up.
2. When a logic “1” is applied to TMS for at least 5 consecutive rising edges of TCK.

The TDI input receiver is sampled only when the TAP Controller is in either the “Shift-IR” state or the “Shift-DR” state.

The TDO output driver is active only when the TAP Controller is in either the “Shift-IR” state or the “Shift-DR” state.

**TAP Controller State Diagram**

**Figure 6**



### •Ordering Information

Part Number	V <sub>DD</sub>	Size	Speed (Cycle / Access Time)
CXK77P36E160GB-4E (-4F) (-4G) (-4H)	3.3V	512K x 36	4.0ns / 3.9ns
CXK77P36E160GB-4AE (-4AF) (-4AG) (-4AH)			4.0ns / 3.8ns
CXK77P36E160GB-4BE (-4BF) (-4BG) (-4BH)			4.0ns / 3.7ns
CXK77P36E160GB-42E (-42F) (-42G) (-42H)	3.3V	512K x 36	4.2ns / 4.2ns
CXK77P36E160GB-42AE (-42AF) (-42AG) (-42AH)			4.2ns / 4.1ns
CXK77P36E160GB-42BE (-42BF) (-42BG) (-42BH)			4.2ns / 4.0ns
CXK77P36E160GB-43E (-43F) (-43G) (-43H)	3.3V	512K x 36	4.3ns / 4.5ns
CXK77P36E160GB-43AE (-43AF) (-43AG) (-43AH)			4.3ns / 4.4ns
CXK77P36E160GB-43BE (-43BF) (-43BG) (-43BH)			4.3ns / 4.3ns
CXK77P36E160GB-44E (-44F) (-44G) (-44H)	3.3V	512K x 36	4.4ns / 4.7ns
CXK77P18E160GB-4E (-4F) (-4G) (-4H)	3.3V	1M x 18	4.0ns / 3.9ns
CXK77P18E160GB-4AE (-4AF) (-4AG) (-4AH)			4.0ns / 3.8ns
CXK77P18E160GB-4BE (-4BF) (-4BG) (-4BH)			4.0ns / 3.7ns
CXK77P18E160GB-42E (-42F) (-42G) (-42H)	3.3V	1M x 18	4.2ns / 4.2ns
CXK77P18E160GB-42AE (-42AF) (-42AG) (-42AH)			4.2ns / 4.1ns
CXK77P18E160GB-42BE (-42BF) (-42BG) (-42BH)			4.2ns / 4.0ns
CXK77P18E160GB-43E (-43F) (-43G) (-43H)	3.3V	1M x 18	4.3ns / 4.5ns
CXK77P18E160GB-43AE (-43AF) (-43AG) (-43AH)			4.3ns / 4.4ns
CXK77P18E160GB-43BE (-43BF) (-43BG) (-43BH)			4.3ns / 4.3ns
CXK77P18E160GB-44E (-44F) (-44G) (-44H)	3.3V	1M x 18	4.4ns / 4.7ns

Note: The last character of the Part Number (“E”, “F”, “G”, or “H”) is used to distinguish between 1) the revision of the device - Rev 1.0 or Rev 1.1, and 2) the fab location used to bump the device - Fujitsu Mie (F-MIE) or Fujitsu Tohoku Electronics (FTE).

“E” indicates Rev 1.0 bumped at F-MIE.

“F” indicates Rev 1.0 bumped at FTE.

“G” indicates Rev 1.1 bumped at F-MIE.

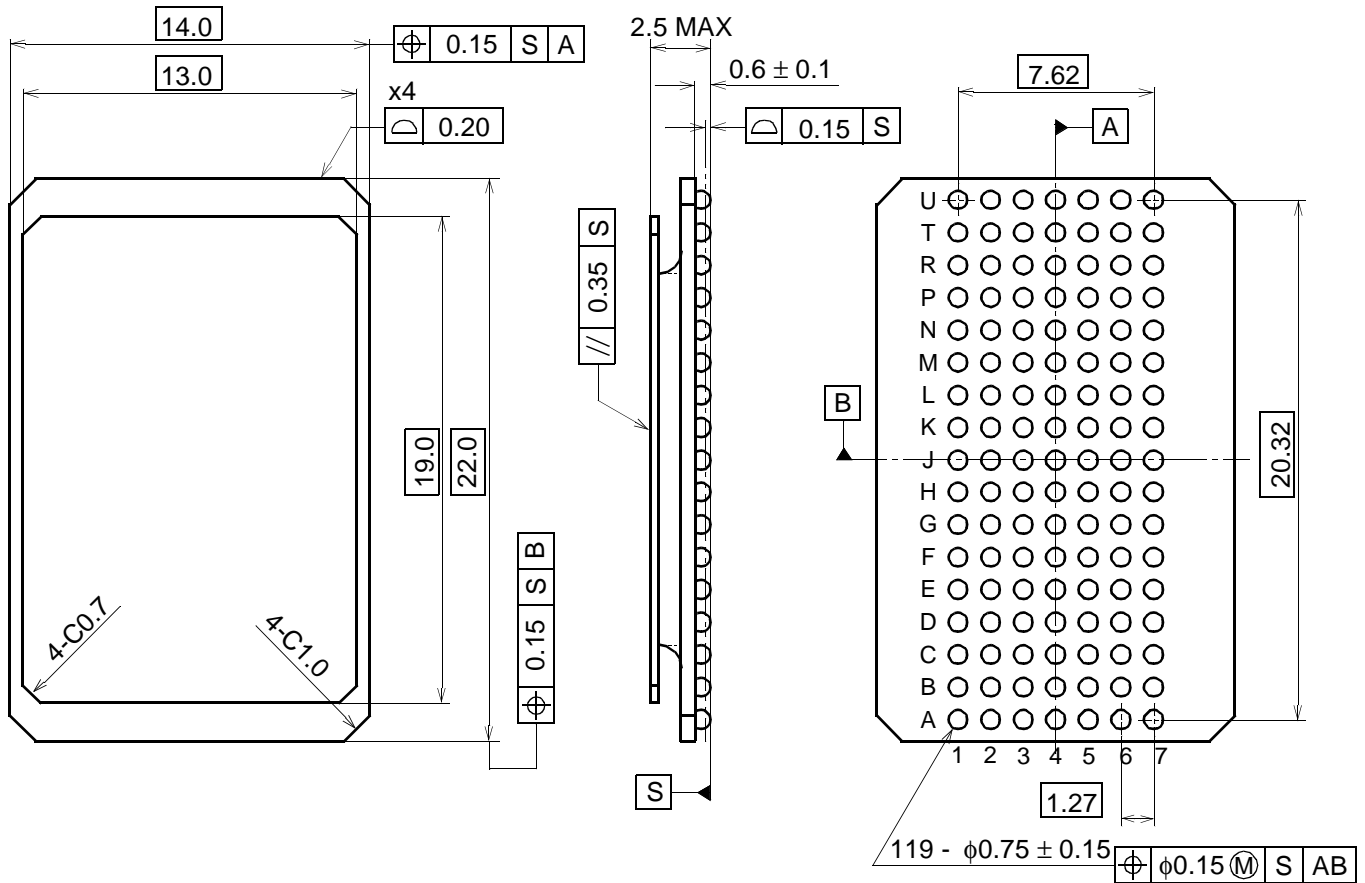
“H” indicates Rev 1.1 bumped at FTE.

Please see the BGA Package Marking diagram on page 24 for further information.

Note: These devices may be manufactured at two different fab locations - Wafertech and TSMC. Please see the BGA Package Marking diagram on page 24 for information concerning how to distinguish between devices manufactured at the two facilities.

Sony reserves the right to change products and specifications without prior notice. This information does not convey any license by any implication or otherwise under any patents or other right. Application circuits shown, if any, are typical examples illustrating the operation of the devices. Sony cannot assume responsibility for any problems arising out of the use of these circuits.

(7x17) 119 Pin BGA Package Dimensions



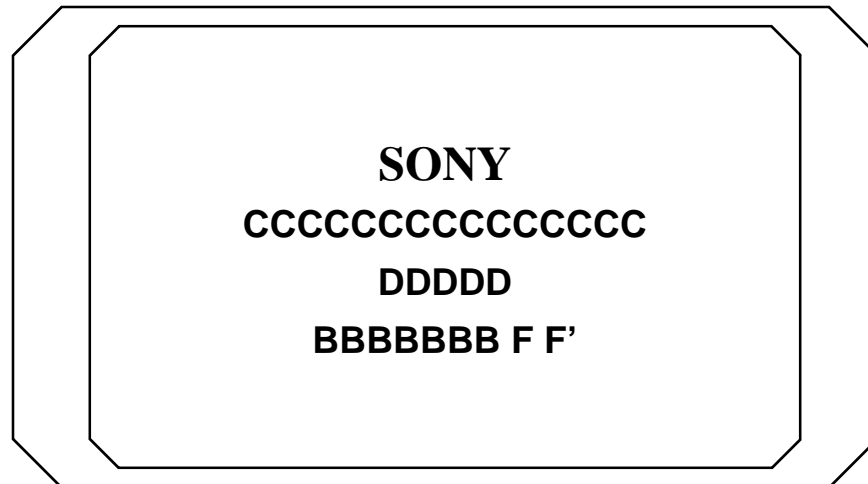
**PRELIMINARY**

PACKAGE STRUCTURE

SONY CODE	BGA-119P-021
EIAJ CODE	BGA119-P-1422
JEDEC CODE	_____

PACKAGE MATERIAL	EPOXY RESIN
BORAD TREATMENT	COPPER-CLAD LAMINATE
LEAD MATERIAL	SOLDER
PACKAGE MASS	1.3g

## (7x17) 119 Pin BGA Package Marking

**Description**

- 1) C Field: Part Number Code (up to 15 characters).
- 2) D Field: Speed Bin Code (up to 5 characters). Includes character for Revision and Bump Fab Plant Code.  
e.g. D = "-4AE" indicates "-4A" speed bin, Rev 1.0, Fujitsu Mie Bump Fab.  
e.g. D = "-4AF" indicates "-4A" speed bin, Rev 1.0, Fujitsu Tohoku Electronics Bump Fab.  
e.g. D = "-4AG" indicates "-4A" speed bin, Rev 1.1, Fujitsu Mie Bump Fab.  
e.g. D = "-4AH" indicates "-4A" speed bin, Rev 1.1, Fujitsu Tohoku Electronics Bump Fab.
- 3) B Field: Lot Code (up to 7 characters).
- 4) F Field: Wafer Fab Plant Code (1 character).  
e.g. F = "W" indicates Wafertech Fab.  
e.g. F = "" (blank) indicates TSMC Fab (no character is used for TSMC).
- 5) F' Field: Revised Control Code (1 character).

**Example 1: Wafertech Fab****Example 2: TSMC Fab**



## •Revision History

Rev. #	Rev. date	Description of Modification
rev 0.0	05/19/00	Initial Version
rev 0.1	07/18/00	<ol style="list-style-type: none"> <li>Removed Output Enable (<math>\bar{G}</math>) support and associated specifications.</li> <li>Added BGA Package Thermal Characteristics (p. 6). Junction to Case Temperature (<math>\Theta_{JC}</math>) 1.0 °C/W</li> <li>Modified DC Recommended Operating Conditions (p. 7). Removed Single-Ended clock support. Removed Clock Input Cross Point Voltage (<math>V_X</math>) specification. <math>V_{REF}</math>, <math>V_{CM}</math> (min) 0.6V to 0.7V <math>V_{CM}</math> (max) 1.1V to 1.3V</li> <li>Modified DC Electrical Characteristics (p. 8). Removed 3 MHz Average Power Supply Operating Current (<math>I_{DD3}</math>) specification. <math>I_{LI}</math> (min/max) <math>\pm 1\mu A</math> to <math>\pm 5\mu A</math> <math>I_{SB}</math> (max) 100mA to 200mA</li> <li>Modified AC Electrical Characteristics (p. 9). Added note 1 regarding Address, Write Enables, Synchronous Select, and Data Input Setup Times that states “these parameters are measured from <math>V_{REF} \pm 200mV</math> to the clock mid-point (“-4” bin only)”.</li> <li>Modified AC Test Conditions (p. 11). Indicated that x18 devices are tested in both conventional 16Mb R-L mode and Error-Correcting 8Mb R-L mode, whereas x36 devices are tested in conventional 16Mb R-L mode only.</li> <li>Added BGA Package Dimensions (p. 23).</li> </ol>
rev 0.2	11/03/00	<ol style="list-style-type: none"> <li>Modified I/O Capacitance (p. 6). Address (<math>C_{ADDR}</math>) and Control (<math>C_{CTRL}</math>) 3.5pF to 4.2pF Data (<math>C_{DATA}</math>) 4.5pF to 4.8pF</li> <li>Modified DC Recommended Operating Conditions (p. 7). <math>V_{MIH}</math> (min) <math>V_{REF} + 0.3V</math> to 1.3V <math>V_{MIL}</math> (max) <math>V_{REF} - 0.3V</math> to 0.4V</li> <li>Modified DC Electrical Characteristics (p. 8). <math>I_{DD}</math> (max) 650mA to 750mA <math>I_{SB}</math> (max) 200mA to 250mA</li> <li>Modified AC Electrical Characteristics (p. 9). Added note 2 regarding Address, Write Enables, Synchronous Select, and Data Input Hold Times that states “these parameters are measured from <math>V_{REF} \pm 200mV</math> to the clock mid-point”.</li> <li>Modified AC Test Conditions (p. 11). Removed notes indicating that x18 devices are tested in both conventional 16Mb R-L mode and Error-Correcting 8Mb R-L mode, whereas x36 devices are tested in conventional 16Mb R-L mode only. x18 and x36 devices are tested in both modes.</li> <li>Modified JTAG DC Recommended Operating Conditions (p. 15). <math>V_{TOH}</math> (min) at <math>I_{TOH} = -100\mu A</math> 2.7V to 2.6V <math>V_{TOH}</math> (min) at <math>I_{TOH} = -8mA</math> 2.4V to 2.3V</li> <li>Added BGA Package Marking (p. 24).</li> </ol>
rev 1.0	12/18/00	<ol style="list-style-type: none"> <li>Modified Ordering Information (p. 22). Added “F”, “G”, and “H” Part Numbers.</li> <li>Modified BGA Package Marking (p. 24). Updated “E” and added “F”, “G”, and “H” Speed Bin Code descriptions.</li> </ol>
rev 1.1	03/02/01	<ol style="list-style-type: none"> <li>Added “8Mb LW R-L w/ EC” to document title (p. 1).</li> </ol>