

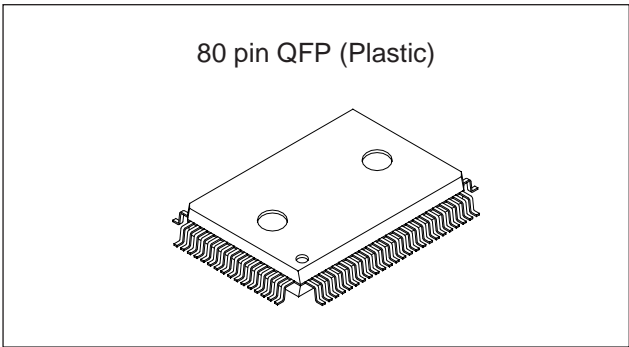
CMOS 8-bit Single Chip Microcomputer

Description

The CXP841P24 is a CMOS 8-bit microcomputer integrating on a single chip an A/D converter, serial interface, timer/counter, time base timer, capture timer/counter, and remote control reception circuit besides the basic configurations of 8-bit CPU, ROM, RAM, and I/O port.

The CXP841P24 also provides a sleep/stop function that enables lower power consumption.

This IC is the PROM-incorporated version of the CXP84124 with built-in mask ROM. This provides the additional feature of being able to write directly into the program. Thus, it is most suitable for evaluation use during system development and for small-quantity production.



Structure

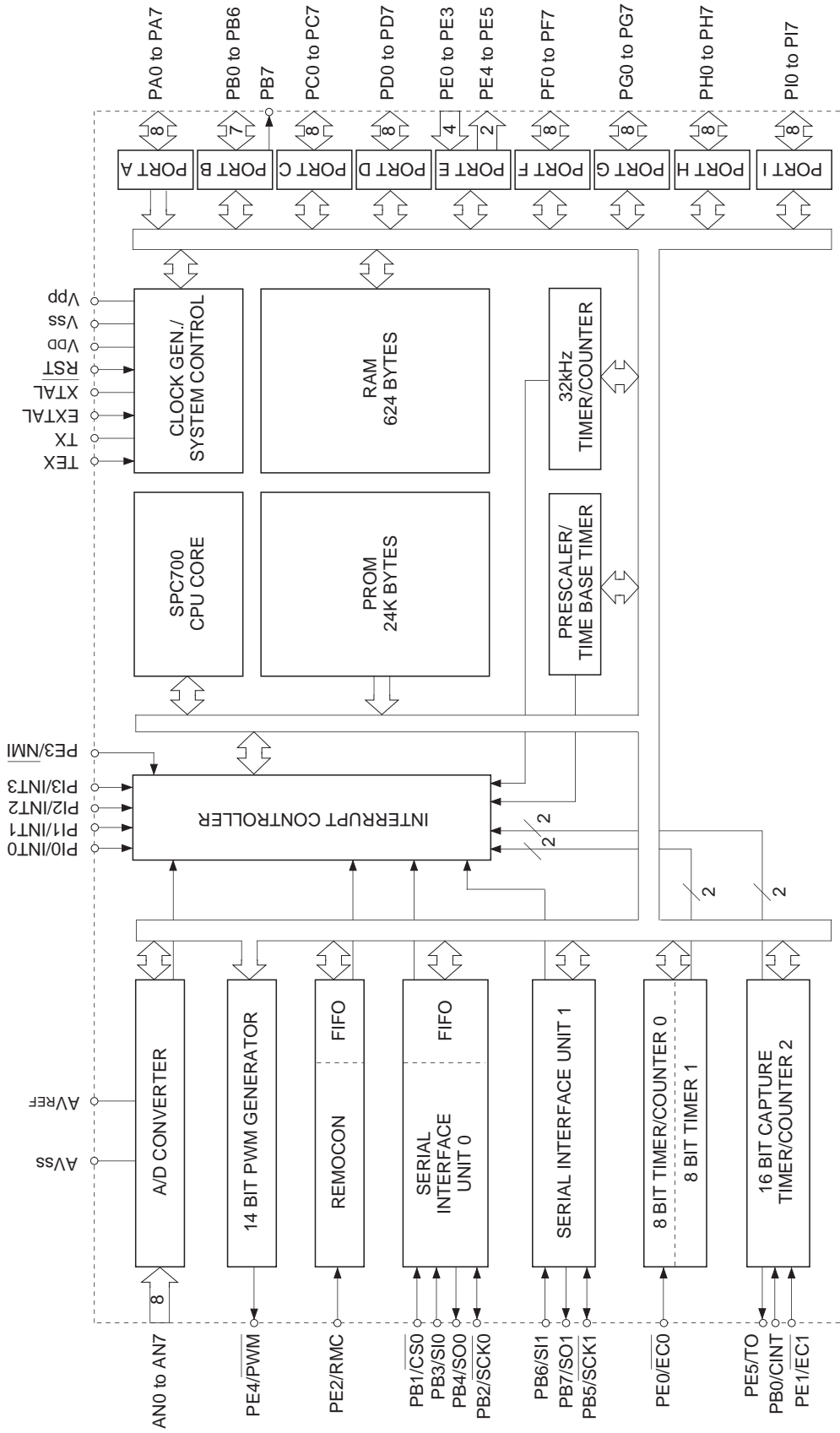
Silicon gate CMOS IC

Features

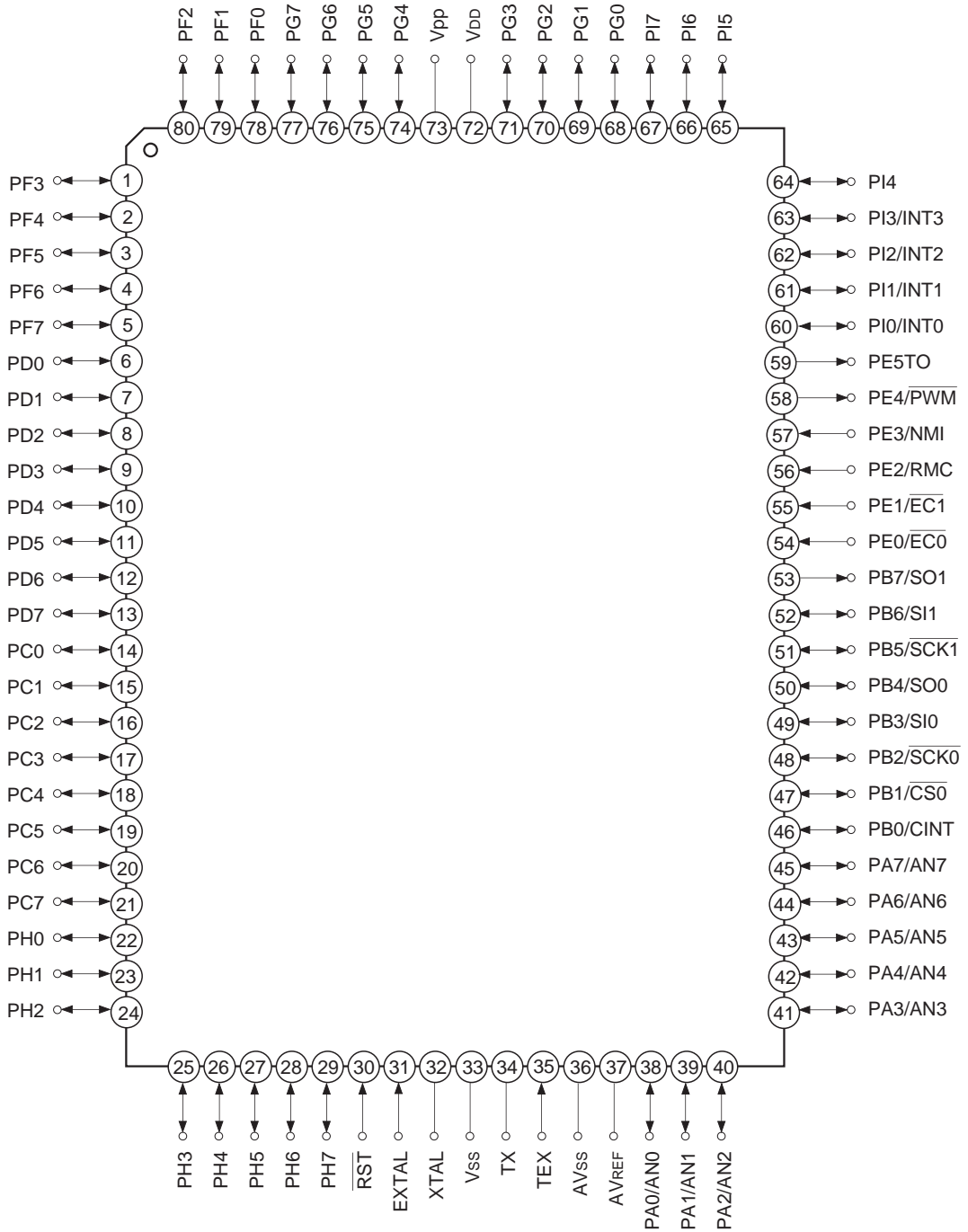
- Wide-range instruction system (213 instructions) to cover various types of data
 - 16-bit arithmetic/multiplication and division/boolean bit operation instructions
- Minimum instruction cycle
 - 400ns at 10MHz operation
 - 122µs at 32kHz operation
- Incorporated PROM capacity 24K bytes
- Incorporated RAM capacity 624 bytes
- Peripheral functions
 - A/D converter 8 bits, 8 channels, successive approximation method (Conversion time of 32µs/10MHz)
 - Serial interface SIO with 8-bit, 8-stage FIFO incorporated for data use (Auto transfer for 1 to 8 bytes), 1 channel
 - Timer 8-bit standard SIO, 1 channel
 - 8-bit timer
 - 8-bit timer/counter
 - 19-bit time base timer
 - 16-bit capture timer/counter
 - 32kHz timer/counter
 - Remote control reception circuit Incorporated noise elimination circuit
 - PWM output Incorporated 8-bit, 6-stage FIFO for measurement data
 - 14 bits, 1 channel
- Interruption 14 factors, 15 vectors, multi-interruption possible
- Standby mode Sleep/stop
- Package 80-pin plastic QFP

Sony reserves the right to change products and specifications without prior notice. This information does not convey any license by any implication or otherwise under any patents or other right. Application circuits shown, if any, are typical examples illustrating the operation of the devices. Sony cannot assume responsibility for any problems arising out of the use of these circuits.

Block Diagram



Pin Assignment (Top View)



Note) Vpp (Pin 73) must be connected to VDD.

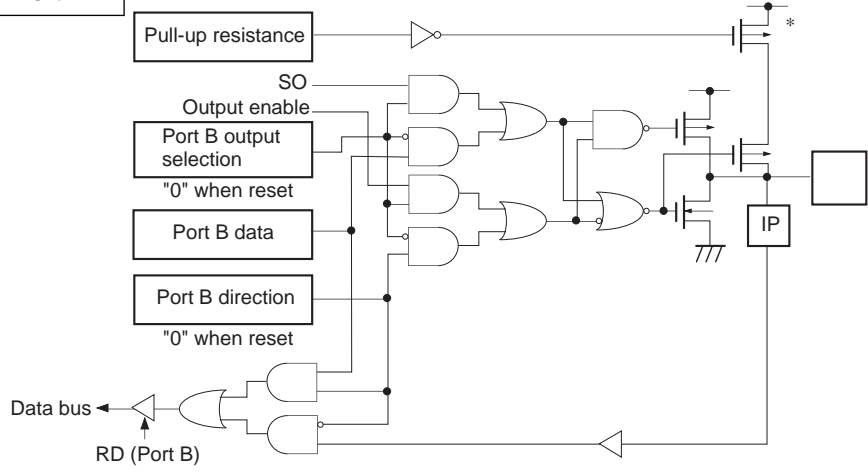
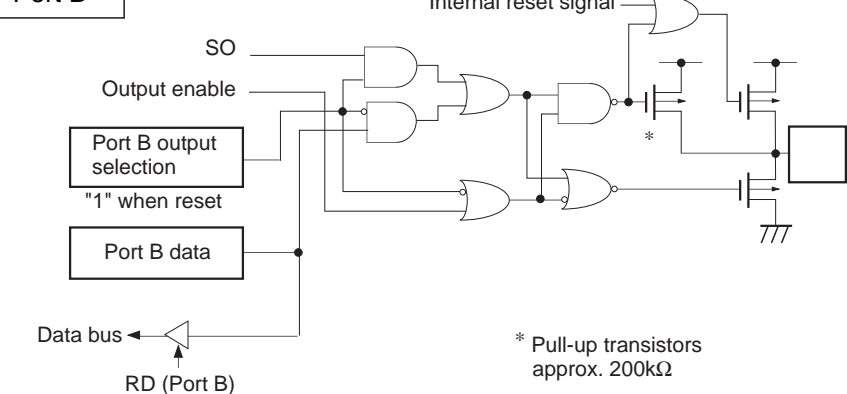
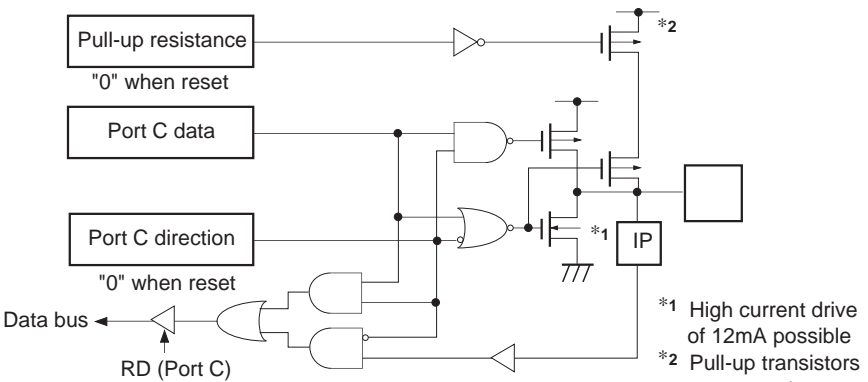
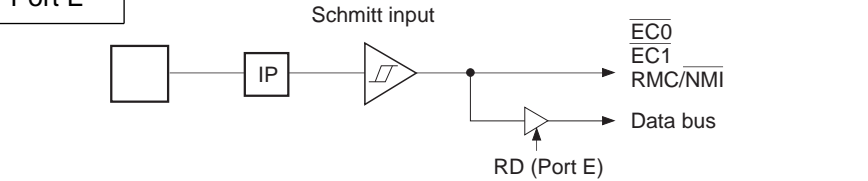
Pin Description

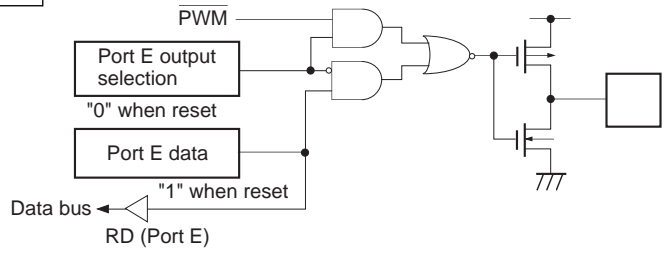
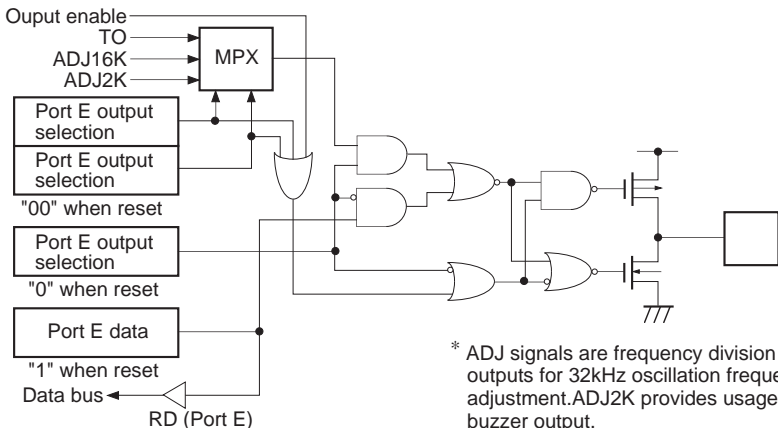
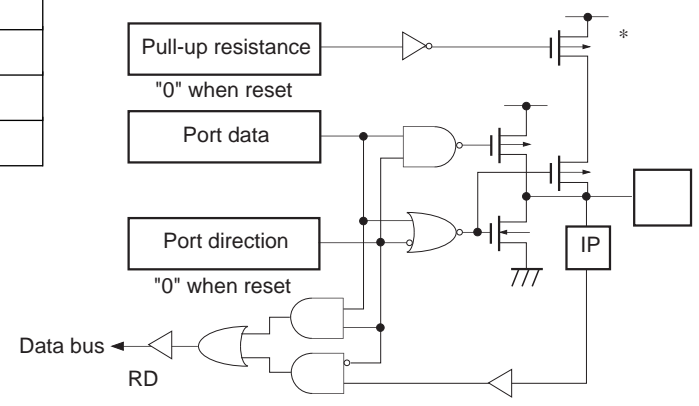
Symbol	I/O	Description	
PA0/AN0 to PA7/AN7	I/O/Analog input	(Port A) 8-bit I/O port. I/O can be set in a unit of single bits. Incorporation of the pull-up resistance can be set through the software in a unit of 4 bits. (8 pins)	Analog inputs to A/D converter. (8 pins)
PB0/CINT	I/O/Input	(Port B) Lower 7-bit I/O port in which I/O can be set in a unit of single bits. Also, an uppermost bit (PB7) exclusively for output. Incorporation of pull-up resistor can be set through the software in a unit of 4 bits. (8 pins)	External capture input to 16-bit timer/counter.
PB1/ $\overline{\text{CS}}_0$	I/O/Input		Chip select input for serial interface (CH0).
PB2/ $\overline{\text{SCK}}_0$	I/O/I/O		Serial clock I/O (CH0).
PB3/SI0	I/O/Input		Serial data input (CH0).
PB4/SO0	I/O/Output		Serial data output (CH0).
PB5/ $\overline{\text{SCK}}_1$	I/O/I/O		Serial clock I/O (CH1).
PB6/SI1	I/O/Input		Serial data input (CH1).
PB7/SO1	Output/Output		Serial data output (CH1).
PC0 to PC7	I/O	(Port C) 8-bit I/O port. I/O can be set in a unit of single bits. Capable of driving 12mA sink current. Incorporation of pull-up resistor can be set through the software in a unit of 4 bits. (8 pins)	
PD0 to PD7	I/O	(Port D) 8-bit I/O port. I/O can be set in a unit of single bits. Incorporation of pull-up resistor can be set through the software in a unit of 4 bits. (8 pins)	
PE0/ $\overline{\text{EC}}_0$	Input/Input	(Port E) 6-bit port. Lower 4 bits are for inputs; upper 2 bits are for outputs. Incorporation of pull-up resistor can be set through the software. (6 pins)	External event inputs for timer/counter. (2 pins)
PE1/ $\overline{\text{EC}}_1$	Input/Input		
PE2/RMC	Input/Input		Remote control reception circuit input.
PE3/ $\overline{\text{NMI}}$	Input/Input		Non-maskable interruption request input.
PE4/ $\overline{\text{PWM}}$	Output/Output		14-bit PWM output.
PE5/TO/ADJ	Output/Output/ Output		Rectangular wave output for 16-bit timer/counter. Output for 32kHz oscillation frequency demultiplication.
PF0 to PF7	I/O	(Port F) 8-bit I/O port. I/O can be set in a unit of single bits. Incorporation of pull-up resistor can be set through the software in a unit of 4 bits. (8 pins)	

Symbol	I/O	Description	
PG0 to PG7	I/O	(Port G) 8-bit I/O port. I/O can be set in a unit of single bits. Incorporation of pull-up resistor can be set through the software in a unit of 4 bits. (8 pins)	
PH0 to PH7	I/O	(Port H) 8-bit I/O port. I/O can be set in a unit of single bits. Incorporation of pull-up resistor can be set through the software in a unit of 4 bits. (8 pins)	
PI0/INT0 to PI3/INT3	I/O/Input	(Port I) 8-bit I/O ports. I/O can be set in a unit of single bits. Incorporation of pull-up resistor can be set through the software in a unit of 4 bits. (8 pins)	External interruption request inputs.
PI4 to PI7	I/O		
EXTAL	Input	Crystal connectors for system clock oscillation. When the clock is supplied externally, input to EXTAL; opposite phase clock should be input to XTAL.	
XTAL	Output		
TEX	Input	Crystal connectors for 32kHz timer/counter clock generation circuit. Connect a 32kHz crystal oscillator between TEX and TX. For usage as event input, connect clock oscillation source to TEX, and open TX.	
TX	Output		
$\overline{\text{RST}}$	Input	Low-level active, system reset.	
AVREF	Input	Reference voltage input for A/D converter.	
AVss		A/D converter GND.	
VDD		Positive power supply.	
Vpp		Positive power supply for incorporated PROM writing. Connect to VDD during normal operation.	
Vss		GND	

Input/Output Circuit Formats for Pins

Pin	Circuit format	When reset
<p>PA0/AN0 to PA7/AN7</p> <p>8 pins</p>	<p>Port A</p> <p>Pull-up resistance "0" when reset</p> <p>Port A data</p> <p>Port A direction "0" when reset</p> <p>Data bus ←</p> <p>RD (Port A)</p> <p>Port A input selection "0" when reset</p> <p>Input multiplexer</p> <p>A/D converter</p> <p>* Pull-up transistors approx. 10kΩ</p>	<p>Hi-Z</p>
<p>PB0/CINT PB1/CS0 PB3/SI0 PB6/SI1</p> <p>4 pins</p>	<p>Port B</p> <p>Pull-up resistance "0" when reset</p> <p>Port B data</p> <p>Port B direction "0" when reset</p> <p>Data bus ←</p> <p>RD (Port B)</p> <p>CINT CS0 SI0 SI1</p> <p>Schmitt input</p> <p>* Pull-up transistors approx. 10kΩ</p>	<p>Hi-Z</p>
<p>PB2/SCK0 PB5/SCK1</p> <p>2 pins</p>	<p>Port B</p> <p>Pull-up resistance "0" when reset</p> <p>SCK OUT</p> <p>Output enable</p> <p>Port B output selection "0" when reset</p> <p>Port B data</p> <p>Port B direction "0" when reset</p> <p>Data bus ←</p> <p>RD (Port B)</p> <p>SCK in ←</p> <p>Schmitt input</p> <p>* Pull-up transistors approx. 10kΩ</p>	<p>Hi-Z</p>

Pin	Circuit format	When reset
<p>PB4/SO0</p> <p>1 pin</p>	<p>Port B</p>  <p>* Pull-up transistors approx. 10kΩ</p>	<p>Hi-Z</p>
<p>PB7/SO1</p> <p>1 pin</p>	<p>Port B</p>  <p>* Pull-up transistors approx. 200kΩ</p>	<p>High level</p>
<p>PC0 to PC7</p> <p>8 pins</p>	<p>Port C</p>  <p>*1 High current drive of 12mA possible *2 Pull-up transistors approx. 10kΩ</p>	<p>Hi-Z</p>
<p>PE0/$\overline{EC0}$ PE1/$\overline{EC1}$ PE2/RMC PE3/\overline{NMI}</p> <p>4 pins</p>	<p>Port E</p> 	<p>Hi-Z</p>

Pin	Circuit format	When reset
<p>PE4/PWM</p> <p>1 pin</p>	<p>Port E</p>  <p>"0" when reset</p> <p>"1" when reset</p> <p>Data bus ← RD (Port E)</p>	<p>High level</p>
<p>PE5/TO/ADJ</p> <p>1 pin</p>	<p>Port E</p>  <p>Output enable</p> <p>TO</p> <p>ADJ16K</p> <p>ADJ2K</p> <p>MPX</p> <p>Port E output selection</p> <p>Port E output selection</p> <p>"00" when reset</p> <p>Port E output selection</p> <p>"0" when reset</p> <p>Port E data</p> <p>"1" when reset</p> <p>Data bus ← RD (Port E)</p> <p>* ADJ signals are frequency division outputs for 32kHz oscillation frequency adjustment. ADJ2K provides usage as buzzer output.</p>	<p>High level</p>
<p>PD0 to PD7 PF0 to PF7 PG0 to PG7 PH0 to PH7 PI4 to PI7</p> <p>36 pins</p>	<p>Port D</p> <p>Port F</p> <p>Port G</p> <p>Port H</p> <p>Port I</p>  <p>Pull-up resistance</p> <p>"0" when reset</p> <p>Port data</p> <p>Port direction</p> <p>"0" when reset</p> <p>Data bus ← RD</p> <p>* Pull-up transistors approx. 10kΩ</p>	<p>Hi-Z</p>

Pin	Circuit format	When reset
<p>PI0/INT0 to PI3/INT3</p> <p>4 pins</p>	<p>Port I</p> <p>Pull-up resistance "0" when reset</p> <p>Port I data</p> <p>Port I direction "0" when reset</p> <p>Data bus RD</p> <p>INT0 INT1 INT2 INT3</p> <p>* Pull-up transistors approx. 10kΩ</p>	<p>Hi-Z</p>
<p>EXTAL XTAL</p> <p>2 pins</p>	<ul style="list-style-type: none"> • Diagram shows circuit composition during oscillation. • Feedback resistor is removed during stop. 	<p>Oscillation</p>
<p>TEX TX</p> <p>2 pins</p>	<ul style="list-style-type: none"> • Diagram shows circuit composition during oscillation. • When the operation of the oscillation circuit is stopped by the software, the feedback resistor is removed, and TEX and TX become "Low" level and "High" level respectively. 	<p>Oscillation</p>
<p>$\overline{\text{RST}}$</p> <p>1 pin</p>	<p>Pull-up resistor</p> <p>Mask option</p> <p>Schmitt input</p>	<p>Low level</p>

Absolute Maximum Ratings

(V_{SS} = 0V reference)

Item	Symbol	Ratings	Unit	Remarks
Supply voltage	V _{DD}	-0.3 to +7.0	V	
	V _{pp}	-0.3 to +13.0	V	Incorporated PROM
	AV _{SS}	-0.3 to +0.3	V	
Input voltage	V _{IN}	-0.3 to +7.0*1	V	
Output voltage	V _{OUT}	-0.3 to +7.0*1	V	
High level output current	I _{OH}	-5	mA	Output per pin
High level total output current	∑I _{OH}	-50	mA	Total for all output pins
Low level output current	I _{OL}	15	mA	Value per pin, excluding large current outputs
	I _{OLC}	20	mA	Value per pin*2 for large current outputs
Low level total output current	∑I _{OL}	100	mA	Total for all output pins
Operating temperature	T _{opr}	-10 to +75	°C	
Storage temperature	T _{stg}	-55 to +150	°C	
Allowable power dissipation	P _D	600	mW	

*1 V_{IN} and V_{OUT} must not exceed V_{DD} + 0.3V.

*2 The high current drive transistor is the N-ch transistor of Port C (PC).

Note) Usage exceeding absolute maximum ratings may permanently impair the LSI. Normal operation should be conducted under the recommended operating conditions. Exceeding these conditions may adversely affect the reliability of the LSI.

Recommended Operating Conditions

(V_{SS} = 0V reference)

Item	Symbol	Min.	Max.	Unit	Remarks
Supply voltage	V _{DD}	4.5	5.5	V	High-speed mode guaranteed operation range* ¹
		3.5	5.5		Low-speed mode guaranteed operation range* ¹
		2.7	5.5		Guaranteed operation range with TEX clock
		2.5	5.5		Guaranteed data hold range during stop
	V _{pp}	V _{pp} = V _{DD}		V	* ⁵
High level input voltage	V _{IH}	0.7V _{DD}	V _{DD}	V	* ²
	V _{IHS}	0.8V _{DD}	V _{DD}	V	Hysteresis input* ³
	V _{IHEX}	V _{DD} - 0.4	V _{DD} + 0.3	V	EXTAL* ⁴
Low level input voltage	V _{IL}	0	0.3V _{DD}	V	* ²
	V _{ILS}	0	0.2V _{DD}	V	Hysteresis input* ³
	V _{ILEX}	-0.3	0.4	V	EXTAL* ⁴
Operating temperature	Topr	-10	+75	°C	

*¹ High-speed mode selects 1/2 frequency demultiplication clock; low-speed mode selects 1/16 frequency demultiplication clock.

*² Value for each pin of normal input ports (PA, PB3, PB4, PB6, PC, PD, PF to PH, PI4 to PI7).

*³ Value of the following pins: $\overline{\text{RST}}$, $\overline{\text{CINT}}$, $\overline{\text{CS0}}$, $\overline{\text{SCK0}}$, $\overline{\text{SCK1}}$, $\overline{\text{EC0}}$, $\overline{\text{EC1}}$, $\overline{\text{RMC}}$, $\overline{\text{NMI}}$, INT0, INT1, INT2, INT3.

*⁴ Specifies only during external clock input.

*⁵ V_{pp} and V_{DD} should be set to the same voltage.

Electrical Characteristics

DC Characteristics

(Ta = -10 to +75°C, Vss = 0V reference)

Item	Symbol	Pins	Conditions	Min.	Typ.	Max.	Unit
High level output current	V _{OH}	PA to PD, PE4, PE5, PF to PI	V _{DD} = 4.5V, I _{OH} = -0.5mA	4.0			V
			V _{DD} = 4.5V, I _{OH} = -1.2mA	3.5			V
V _{OL}	V _{DD} = 4.5V, I _{OL} = 1.8mA				0.4	V	
	V _{DD} = 4.5V, I _{OL} = 3.6mA				0.6	V	
Low level output current	V _{OL}	PC	V _{DD} = 4.5V, I _{OL} = 12.0mA			1.5	V
		Input current	EXTAL	I _{IHE}	V _{DD} = 5.5V, V _{IH} = 5.5V	0.5	
I _{ILE}	V _{DD} = 5.5V, V _{IL} = 0.4V			-0.5		-40	μA
TEX	I _{IHT}		V _{DD} = 5.5V, V _{IH} = 5.5V	0.1		10	μA
	I _{ILT}		V _{DD} = 5.5V, V _{IL} = 0.4V	-0.1		-10	μA
I _{ILR}	$\overline{\text{RST}}$			-1.5		-400	μA
I _{IL}	PA to PD* ¹ , PF to PI* ¹					-2.0	mA
		V _{DD} = 4.5V, V _{IL} = 4.0V	-10			μA	
I/O leakage current	I _{Iz}	PE0 to PE3	V _{DD} = 5.5V, V _I = 0, 5.5V			±10	μA
Power supply current* ²	I _{DD1}	V _{DD}	High-speed mode operation (1/2 frequency demultiplier clock)		18	40	mA
			V _{DD} = 5.5V, 10MHz crystal oscillation (C ₁ = C ₂ = 15pF)				
	I _{DD2}		V _{DD} = 3V, 32kHz crystal oscillation (C ₁ = C ₂ = 47pF)		35	100	μA
			Sleep mode				
	I _{DDS1}		V _{DD} = 5.5V, 10MHz crystal oscillation (C ₁ = C ₂ = 15pF)		1.1	8	mA
			V _{DD} = 3V, 32kHz crystal oscillation (C ₁ = C ₂ = 47pF)				
I _{DDS2}	Stop mode				10	μA	
I _{DDS3}	V _{DD} = 5.5V, termination of 10MHz and 32kHz crystal oscillation						
Input capacity	C _{IN}	Pins other than PB7, PE4, PE5, AV _{REF} , V _{DD} , V _{SS}	Clock 1MHz 0V for no-measured pins		10	20	pF

*1 Pins PA to PD, and PF to PI specify the input current when pull-up resistance has been selected; leakage current when no resistance has been selected. (Excludes output PB7)

*2 When all pins are open.

AC Characteristics

(1) Clock timing

(Ta = -10 to +75°C, VDD = 4.5 to 5.5V, Vss = 0V reference)

Item	Symbol	Pin	Conditions	Min.	Typ.	Max.	Unit
System clock frequency	fc	XTAL EXTAL	Fig. 1, Fig. 2	1		10	MHz
System clock input pulse width	t _{XL} , t _{XH}	EXTAL	Fig. 1, Fig. 2 External clock drive	37.5			ns
System clock input rise time, fall time	t _{CR} , t _{CF}	EXTAL	Fig. 1, Fig. 2 External clock drive			200	ns
Event count input clock pulse width	t _{EH} , t _{EL}	$\overline{\text{EC0}}$ EC1	Fig. 3	t _{sys} + 50*1			ns
Event count input clock rise time, fall time	t _{ER} , t _{EF}	$\overline{\text{EC0}}$ EC1	Fig. 3			20	ms
System clock frequency	fc	TEX TX	VDD = 2.7 to 5.5V Fig. 2 (32kHz clock applied condition)		32.768		kHz
Event count input clock input pulse width	t _{TL} , t _{TH}	TEX	Fig. 3	10			μs
Event count input clock rise time, fall time	t _{TR} , t _{TF}	TEX	Fig. 3			20	ms

*1 t_{sys} indicates the three values below according to the upper two bits (CPU clock selection) of the clock control register (address: 00FEH).

t_{sys} [ns] = 2000/fc (upper two bits = "00"), 4000/fc (upper two bits = "01"), 16000/fc (upper two bits = "11")

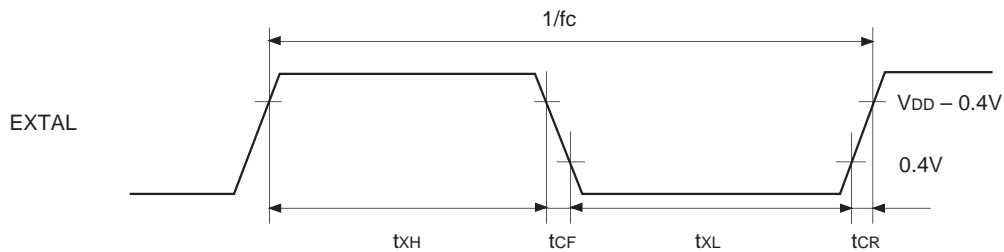


Fig. 1. Clock timing

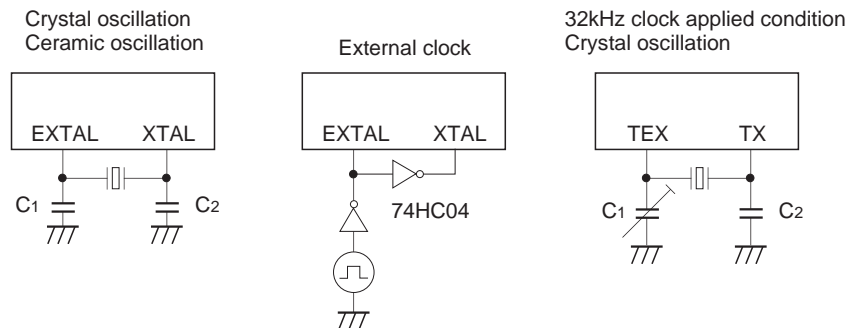


Fig. 2. Clock applied condition

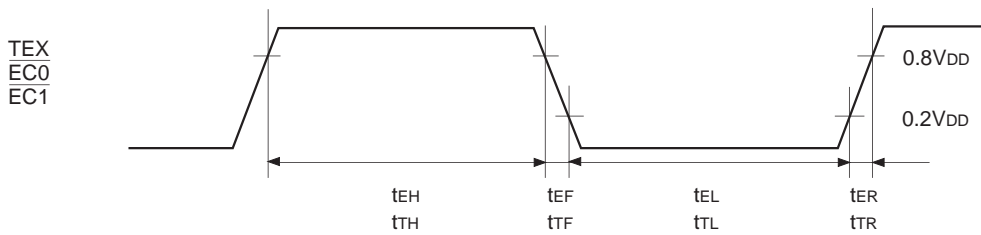


Fig. 3. Event count clock timing

(2) Serial transfer (CH0)

(Ta = -10 to +75°C, V_{DD} = 4.5 to 5.5V, V_{SS} = 0V reference)

Item	Symbol	Pin	Condition	Min.	Max.	Unit
$\overline{CS0} \downarrow \rightarrow \overline{SCK0}$ delay time	t _{DCSK}	$\overline{SCK0}$	Chip select transfer mode ($\overline{SCK0}$ = output mode)		t _{sys} + 200	ns
$\overline{CS0} \uparrow \rightarrow \overline{SCK0}$ float delay time	t _{DCSKF}	$\overline{SCK0}$	Chip select transfer mode ($\overline{SCK0}$ = output mode)		t _{sys} + 200	ns
$\overline{CS0} \downarrow \rightarrow SO0$ delay time	t _{DCSO}	SO0	Chip select transfer mode		t _{sys} + 200	ns
$\overline{CS0} \uparrow \rightarrow SO0$ float delay time	t _{DCSOF}	SO0	Chip select transfer mode		t _{sys} + 200	ns
$\overline{CS0}$ High level width	t _{WHCS}	$\overline{CS0}$	Chip select transfer mode	t _{sys} + 200		ns
$\overline{SCK0}$ cycle time	t _{KCY}	$\overline{SCK0}$	Input mode	2t _{sys} + 200		ns
			Output mode	16000/fc		ns
$\overline{SCK0}$ High and Low level widths	t _{KH} t _{KL}	$\overline{SCK0}$	Input mode	t _{sys} + 100		ns
			Output mode	8000/fc - 50		ns
SI0 input setup time (for $\overline{SCK0} \uparrow$)	t _{SIK}	SI0	$\overline{SCK0}$ input mode	100		ns
			$\overline{SCK0}$ output mode	200		ns
SI0 input hold time (for $\overline{SCK0} \uparrow$)	t _{ksi}	SI0	$\overline{SCK0}$ input mode	t _{sys} + 200		ns
			$\overline{SCK0}$ output mode	100		ns
$\overline{SCK0} \downarrow \rightarrow SO0$ delay time	t _{kso}	SO0	$\overline{SCK0}$ input mode		t _{sys} + 200	ns
			$\overline{SCK0}$ output mode		100	ns

Note 1) t_{sys} indicates the three values below according to the upper two bits (CPU clock selection) of the clock control register (address: 00FEH).

t_{sys} [ns] = 2000/fc (upper two bits = "00"), 4000/fc (upper two bits = "01"), 16000/fc (upper two bits = "11")

Note 2) The load condition for the $\overline{SCK0}$ output mode, SO0 output delay time is 50pF + 1TTL.

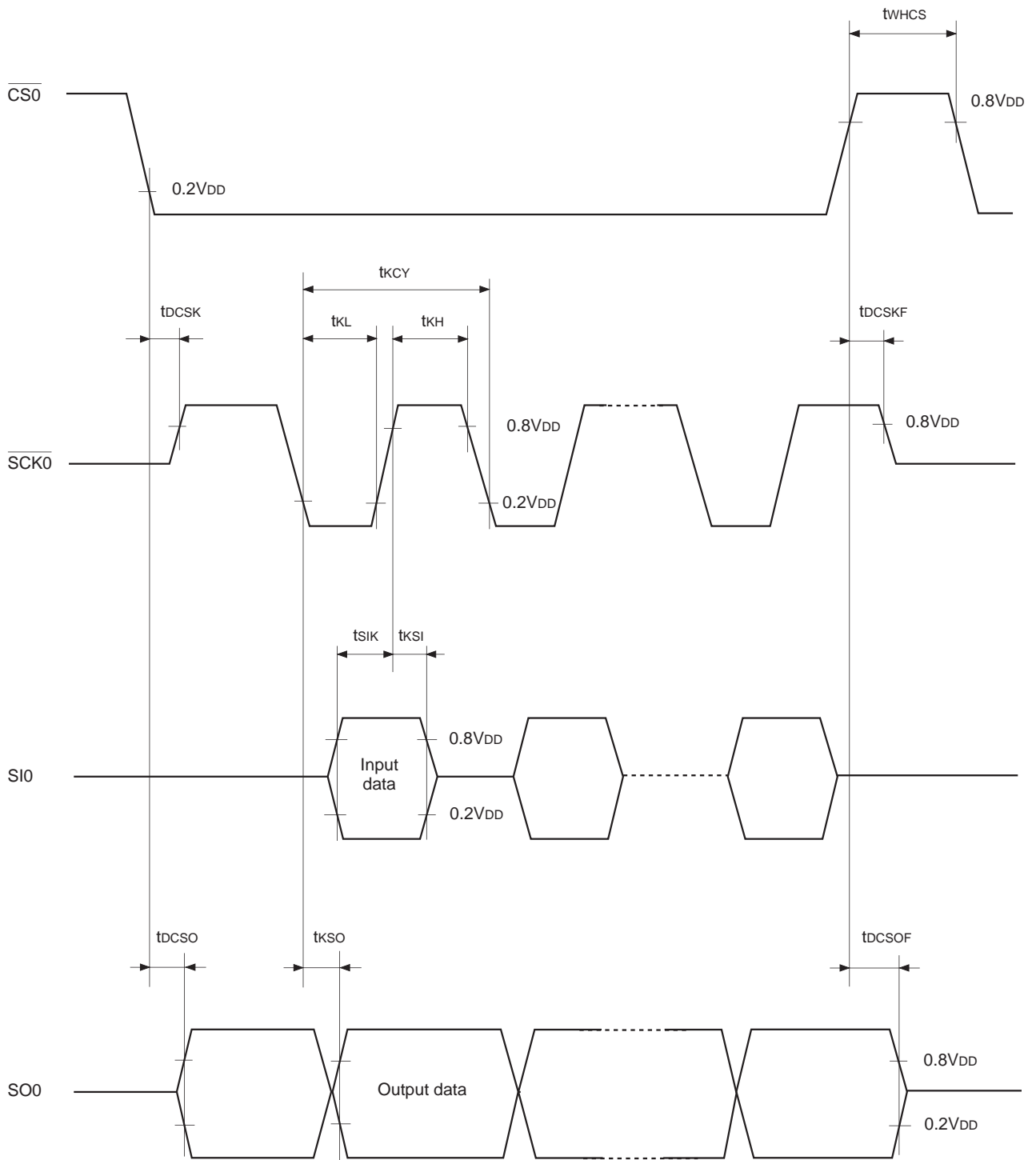


Fig. 4. Serial transfer CH0 timing

Serial transfer (CH1)

($T_a = -10$ to $+75^\circ\text{C}$, $V_{DD} = 4.5$ to 5.5V , $V_{SS} = 0\text{V}$ reference)

Item	Symbol	Pin	Condition	Min.	Max.	Unit
$\overline{\text{SCK1}}$ cycle time	t_{KCY}	$\overline{\text{SCK1}}$	Input mode	1000		ns
			Output mode	$16000/f_c$		ns
$\overline{\text{SCK1}}$ High and Low level widths	t_{KH} t_{KL}	$\overline{\text{SCK1}}$	Input mode	400		ns
			Output mode	$8000/f_c - 50$		ns
SI1 input setup time (for $\overline{\text{SCK1}} \uparrow$)	t_{SIK}	SI1	$\overline{\text{SCK1}}$ input mode	100		ns
			$\overline{\text{SCK1}}$ output mode	200		ns
SI1 input hold time (for $\overline{\text{SCK1}} \uparrow$)	t_{KSI}	SI1	$\overline{\text{SCK1}}$ input mode	200		ns
			$\overline{\text{SCK1}}$ output mode	100		ns
$\overline{\text{SCK1}} \downarrow \rightarrow \text{SO1}$ delay time	t_{KSO}	SO1	$\overline{\text{SCK1}}$ input mode		200	ns
			$\overline{\text{SCK1}}$ output mode		100	ns

Note) The load condition for the $\overline{\text{SCK1}}$ output mode, SO1 output delay time is $50\text{pF} + 1\text{TTL}$.

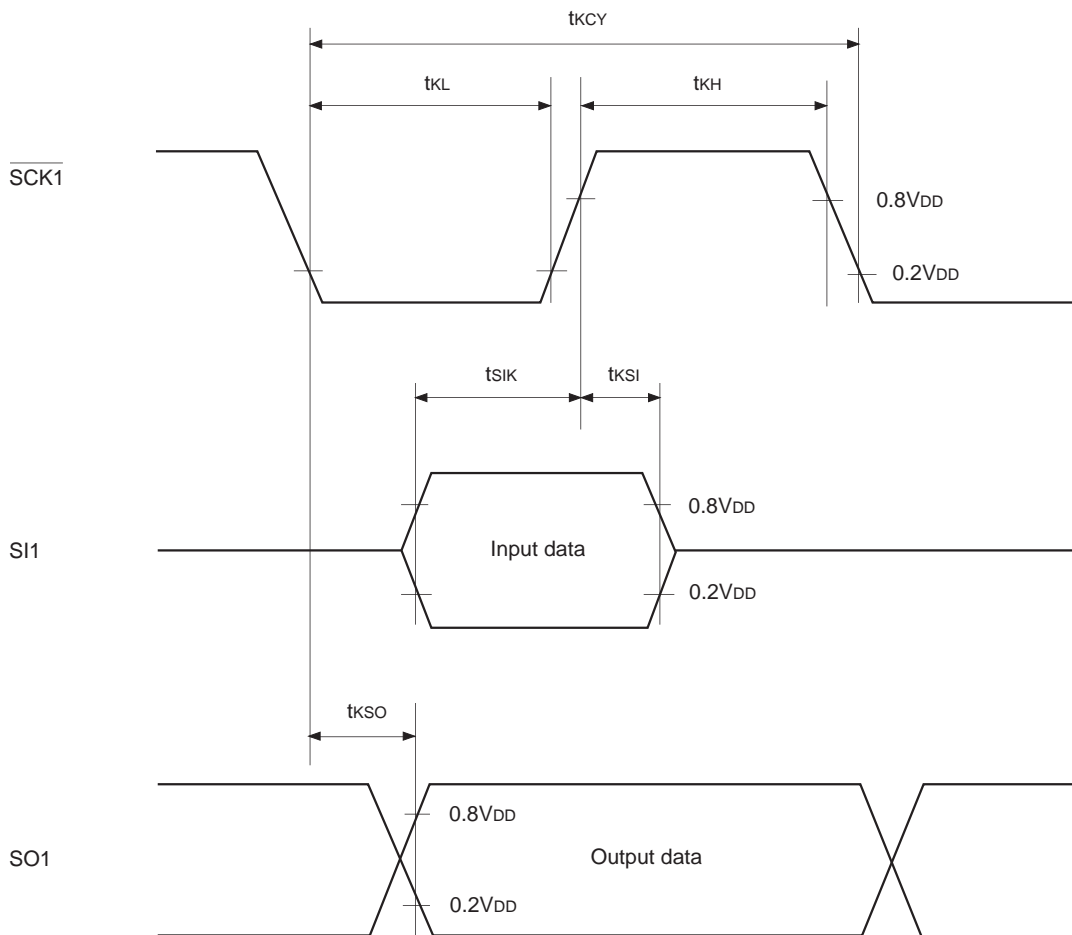
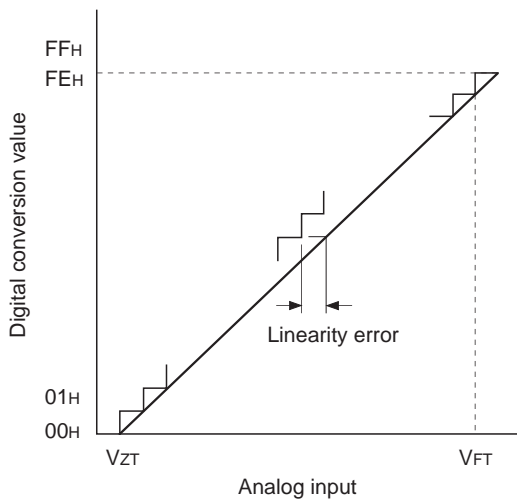


Fig. 5. Serial transfer CH1 timing

(3) A/D converter characteristics

($T_a = -10$ to $+75^\circ\text{C}$, $V_{DD} = 4.5$ to 5.5V , $AV_{REF} = 4.0$ to AV_{DD} , $V_{SS} = AV_{SS} = 0\text{V}$ reference)

Item	Symbol	Pin	Condition	Min.	Typ.	Max.	Unit
Resolution						8	Bits
Linearity error						± 5	LSB
Zero transition voltage	V_{ZT}^{*1}		$T_a = 25^\circ\text{C}$ $V_{DD} = 5.0\text{V}$ $V_{SS} = AV_{SS} = 0\text{V}$	-10	70	150	mV
Full-scale transition voltage	V_{FT}^{*2}			4930	5050	5120	mV
Conversion time	t_{CONV}			$160/f_{ADC}^{*3}$			μs
Sampling time	t_{SAMP}			$12/f_{ADC}^{*3}$			μs
Reference input voltage	V_{REF}	AV_{REF}		$V_{DD} - 0.5$		V_{DD}	V
Analog input voltage	V_{IAN}	$AN0$ to $AN7$		0		AV_{REF}	V
AV_{REF} current	I_{REF}	AV_{REF}	Operation mode		0.6	1.0	mA
	I_{REFS}		Sleep mode Stop mode 32kHz operation mode			10	μA



- *1 V_{ZT} : Value at which the digital conversion value changes from 00H to 01H and vice versa.
- *2 V_{FT} : Value at which the digital conversion value changes from FEH to FFH and vice versa.
- *3 f_{ADC} indicates the below values due to ADC operation clock selection.
 During PS2 selection, $f_{ADC} = f_c/2$
 During PS1 selection, $f_{ADC} = f_c$

Fig. 6. Definition of A/D converter terms

(4) Interruption, reset input (Ta = -10 to +75°C, VDD = 4.5 to 5.5V, Vss = 0V reference)

Item	Symbol	Pin	Condition	Min.	Max.	Unit
External interruption High and Low level widths	t _{IH} t _{IL}	INT0 INT1 INT2 INT3 NMI PJ0 to PJ7		1		μs
Reset input Low level width	t _{RSL}	RST		8/fc		μs

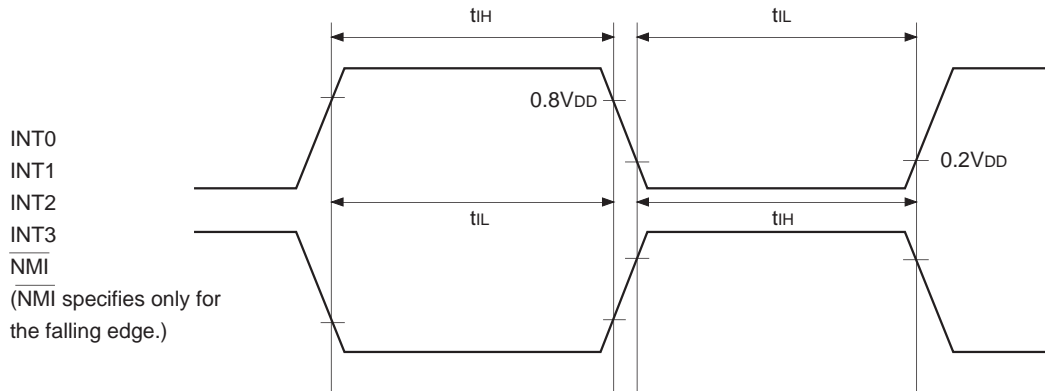


Fig 7. Interruption input timing

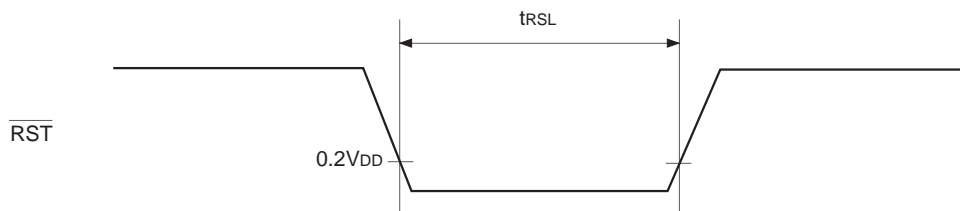


Fig. 8. RST input timing

Appendix

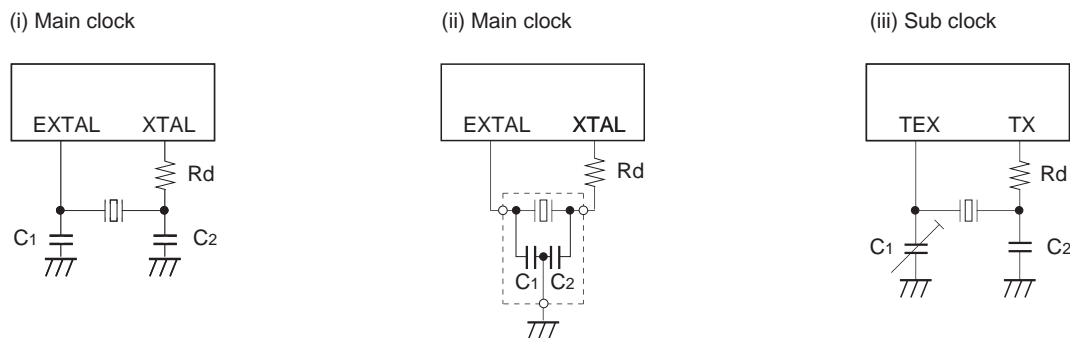


Fig. 9. SPC700 series recommended oscillation circuit

Manufacturer	Model	fc (MHz)	C1 (pF)	C2 (pF)	Rd (Ω)	Circuit example
MURATA MFG CO., LTD.	CSA4.19MG	4.19	30	30	0	(i)
	CSA8.00MTZ	8.00				
	CSA10.0MTZ	10.00				
	CST4.19MGW*	4.19				(ii)
	CST8.00MTW*	8.00				
	CST10.0MTW*	10.00				
RIVER ELETEC CORPORATION	HC-49/U03	4.19	15	15	0	(i)
		8.00				
		10.00				
KINSEKI LTD.	HC-49/U (-S)	4.19	27	27	0	
		8.00				
		10.00				
	P3	32.768kHz	30	39	330k	(iii)

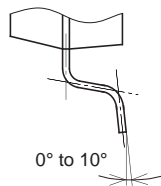
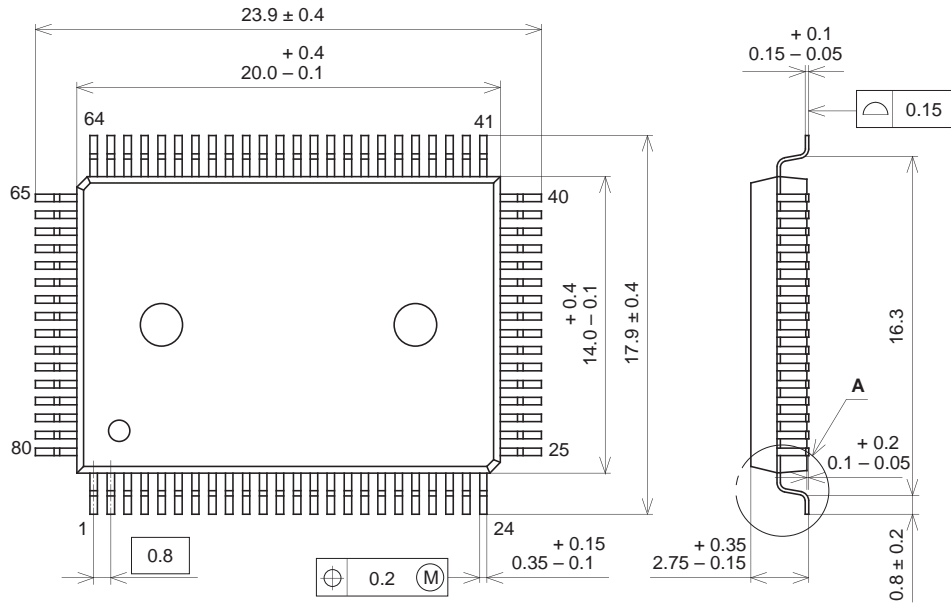
Those marked with an asterisk (*) signify types with built-in ground capacitance (C1, C2).

Product List

Optional item	Mask	CXP841P24Q-1-□□□
Package	80-pin plastic QFP	80-pin plastic QFP
ROM capacity	20K bytes/24K bytes	PROM 24K bytes
Reset pin pull-up resistor	Existent/non existent	Existent

Package Outline Unit: mm

80PIN QFP (PLASTIC)



DETAIL A

SONY CODE	QFP-80P-L01
EIAJ CODE	QFP080-P-1420
JEDEC CODE	_____

PACKAGE STRUCTURE

PACKAGE MATERIAL	EPOXY RESIN
LEAD TREATMENT	SOLDER PLATING
LEAD MATERIAL	42/COPPER ALLOY
PACKAGE MASS	1.6g