

Spread Spectrum Clock Generator

Features

- 50 to 200 MHz operating frequency range
- Wide range of spread selections: 9
- Accepts clock and crystal inputs
- Low power dissipation
 - 70 mW Typ (Fin = 65 MHz)
- Frequency spread disable function
- Center spread modulation
- Low cycle-to-cycle jitter
- 8-pin SOIC package

Functional Description

CY25562 is a spread spectrum clock generator (SSCG) IC used to reduce electromagnetic interference (EMI) found in today's high speed digital electronic systems.

CY25562 uses a Cypress proprietary phase locked loop (PLL) and spread spectrum clock (SSC) technology to synthesize and frequency modulate the input frequency of the reference clock. By doing this, the measured EMI at the fundamental and harmonic frequencies of clock (SSCLK) is reduced.

This reduction in radiated energy can significantly reduce the cost of complying with regulatory requirements and time to market without degrading system performance.

CY25562 is a simple and versatile device. The frequency and spread percentage range is selected by programming S0 and S1 digital inputs. These inputs use three logic states including high (H), low (L), and middle (M) logic levels to select one of the nine available spread percentage ranges. Refer to [Table 1](#) on page 3 for programming details.

CY25562 is intended for applications with a reference frequency in the range of 50 to 200 MHz.

A wide range of digitally selectable spread percentages is made possible by using the tri-level (high, low, and middle) logic at the S0 and S1 digital control inputs.

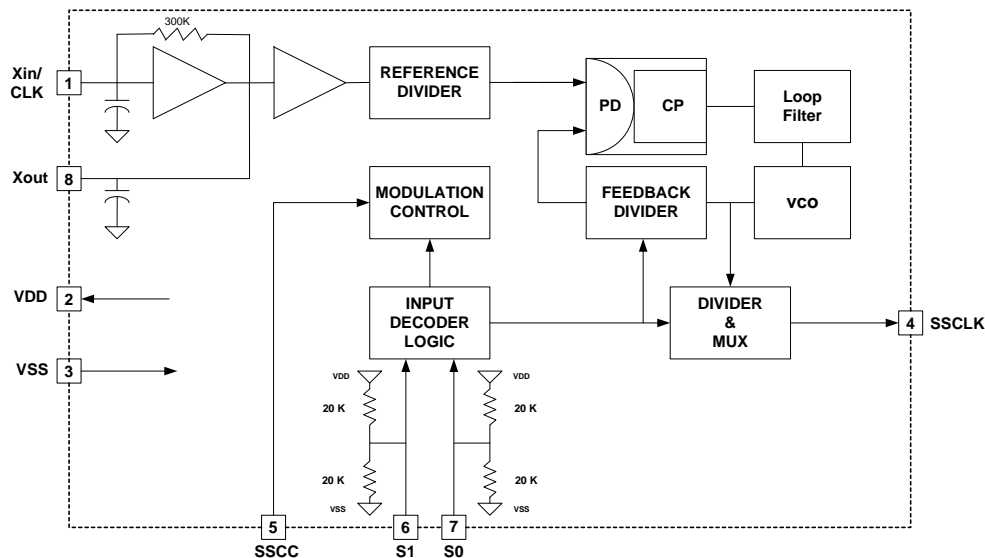
The output spread (frequency modulation) is symmetrically centered on the input frequency.

Spread spectrum clock control (SSCC) function enables or disables the frequency spread and is provided for easy comparison of system performance during EMI testing.

CY25562 is available in an eight-pin SOIC package with a 0 to 70 °C operating temperature range.

Refer to CY25561 for applications with lower drive requirements and CY25560 with lower drive and frequency requirements

Logic Block Diagram

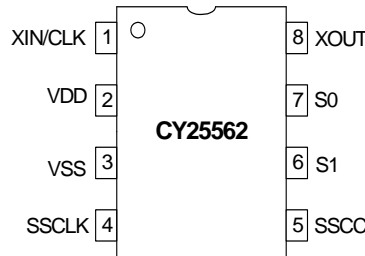


Contents

Pinout	3	Package Drawing and Dimensions	9
Pin Description	3	Acronyms	10
Tri-level Logic	4	Document Conventions	10
SSCG Theory of Operation	4	Units of Measure	10
EMI	4	Document History Page	11
SSCG	4	Sales, Solutions, and Legal Information	11
Modulation Rate	4	Worldwide Sales and Design Support	11
Part Number Application Schematic	6	Products	11
Absolute Maximum Ratings[1, 2]	7	PSoC Solutions	11
Ordering Information	8		
Ordering Code Definition	8		

Pinout

Figure 1. Pin Configuration



Pin Description

Pin #	Pin Name	Type	Pin Description
1	Xin/CLK	I	Clock or crystal connection input. Refer to Table 1 for input frequency range selection.
2	VDD	P	Positive power supply
3	GND	P	Power supply ground
4	SSCLK	O	SSCG modulated clock output
5	SSCC	I	Spread spectrum clock control (enable/disable) function. SSCG function is enabled when input is high and disabled when input is low. This pin is pulled high internally.
6	S1	I	Tri-level logic input control pin used to select frequency and bandwidth. Frequency/bandwidth selection and tri-level logic programming. See Figure 2. Pin 6 has internal resistor divider network to VDD and VSS. Refer to Logic Block Diagram on page 1.
7	S0	I	Tri-level logic input control pin used to select frequency and bandwidth. Frequency/bandwidth selection and tri-level logic programming. See Figure 2. Pin 7 has internal resistor divider network to VDD and VSS. Refer to Logic Block Diagram on page 1.
8	Xout	O	Oscillator output pin connected to crystal. Leave this pin unconnected if an external clock drives Xin/CLK.

Table 1. Frequency and Spread Percentage Selection (Center Spread)

50-100 MHz (Low Range)

Input Frequency (MHz)	S1=M, S0=M (%)	S1=M, S0=0 (%)	S1=1, S0=0 (%)	S1=0, S0=0 (%)	S1=0, S0=M (%)
50 - 60	4.3	3.9	3.3	2.9	2.7
60 - 70	4.0	3.6	3.1	2.6	2.5
70 - 80	3.8	3.4	2.9	2.5	2.4
80 - 100	3.5	3.1	2.7	2.2	2.1

Select the Frequency and Center Spread % desired and then set S1, S0 as indicated.

100-200 MHz (High Range)

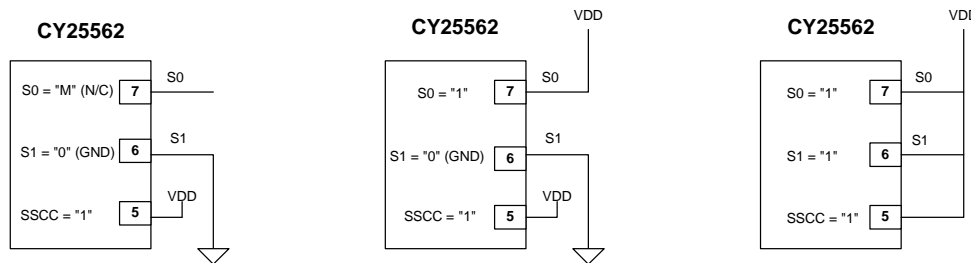
Input Frequency (MHz)	S1=1, S0=M (%)	S1=0, S0=1 (%)	S1=1, S0=1 (%)	S1=M, S0=1 (%)
100 - 120	3.0	2.4	1.6	1.3
120 - 130	2.7	2.1	1.4	1.1
130 - 140	2.6	2.0	1.3	1.1
140 - 150	2.6	2.0	1.3	1.1
150 - 160	2.5	1.8	1.2	1.0
160 - 170	2.4	1.8	1.2	1.0
170 - 180	2.4	1.8	1.2	1.0
180 - 190	2.3	1.7	1.1	0.9
190 - 200	2.3	1.6	1.1	0.9

Select the Frequency and Center Spread % desired and then set S1, S0 as indicated.

Tri-level Logic

With binary logic, four states can be programmed with two control lines, whereas tri-level logic can program nine logic states using two control lines. Tri-level logic in CY25562 is implemented by defining a third logic state in addition to the standard logic “1” and “0.” Pins six and seven of CY25562 recognize a logic state by the voltage applied to the respective pin. These states are defined as “0” (low), “M” (middle), and “1” (one). Each of these states have a defined voltage range that is interpreted by CY25562 as “0”, “M,” or “1” logic state. Refer to [Table 2](#) for voltage ranges for each logic state. CY25562 has two equal value resistors connected internally to pin 6 and pin 7, which produce the default “M” state. Pins 6 or 7 can be tied directly to ground or VDD to program a logic “0” or “1” state, respectively. See the following examples:

Figure 2. Tri-level Logic Example



SSCG Theory of Operation

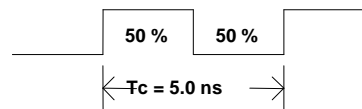
CY25562 is a PLL-type clock generator using a proprietary Cypress design to modulate the reference clock. By precisely controlling the bandwidth of the output clock, CY25562 becomes a low-EMI clock generator. The theory and detailed operation of CY25562 is discussed in the following sections.

EMI

All digital clocks generate unwanted energy in their harmonics. Conventional digital clocks are square waves with a duty cycle that is very close to 50 percent. Because of this 50/50 duty cycle, digital clocks generate most of their harmonic energy in the odd harmonics, that is; third, fifth, seventh, etc. The amount of energy contained in the fundamental and odd harmonics can be reduced by increasing the bandwidth of the fundamental clock frequency. Conventional digital clocks have a very high Q factor; all the energy at that frequency is concentrated in a very narrow bandwidth, and consequently, higher energy peaks. Regulatory agencies test electronic equipment by the amount of peak energy radiated from the equipment. By reducing the peak energy at the fundamental and harmonic frequencies, the equipment under test satisfies agency requirements for EMI. Conventional methods of reducing EMI use shielding, filtering, multi-layer PCBs, etc. CY25562 reduces the peak energy in the clock by increasing the clock bandwidth, thus lowering the Q.

SSCG

SSCG uses a patented technology of modulating the clock over a very narrow bandwidth and controlled rate of change, both peak and cycle-to-cycle. CY25562 takes a narrow band digital reference clock in the range of 50 to 200 MHz and produces a clock that sweeps between a controlled start (F1) and stop (F2) frequency at a precise rate of change. To understand what happens to a clock when SSCG is applied, consider a 200 MHz clock with a 50 percent duty cycle, as shown in this figure.



Clock frequency = $f_c = 200 \text{ MHz}$
 Clock period = $T_c = 1/200 \text{ MHz}$

If this clock is applied to the Xin/CLK pin of CY25562, the output clock at pin 4 (SSCLK) sweeps back and forth between two frequencies. These two frequencies, F1 and F2, calculate total amount of spread or bandwidth applied to the reference clock at pin 1. As the clock is making the transition, sweep, from F1 to F2, the amount of time and sweep waveform become a very important factor in the amount of EMI reduction realized from an SSCG clock.

The modulation domain analyzer is used to visualize the sweep waveform and sweep period. [Figure 3](#) shows the modulation profile of a 200 MHz SSCG clock. Notice that the actual sweep waveform is not a simple sine or sawtooth waveform. [Figure 3](#) also shows a scan of the same SSCG clock using a spectrum analyzer. The spectrum analyzer scan shows a 10 dB reduction in the peak RF energy when using CY25562 SSCG clock.

Modulation Rate

Spread spectrum clock generators use frequency modulation (FM) to distribute energy over a specific band of frequencies. The maximum frequency of the clock (Fmax) and minimum frequency of the clock (Fmin) determine this band of frequencies. The time required to transition from Fmin to Fmax and back to Fmin is the period of the modulation rate, Tmod. Modulation rates of SSCG clocks are generally referred to in terms of frequency or $F_{\text{mod}} = 1/T_{\text{mod}}$.

The input clock frequency, Fin, and the internal divider count, Cdiv, determine the modulation rate. In some SSCG clock generators, the selected range determines the internal divider count. In other SSCG clocks, the internal divider count is fixed over the operating range of the part. CY25562 has a fixed divider count of 2332.

Figure 3. SSCG Clock, Part Number, Fin = 200 MHz

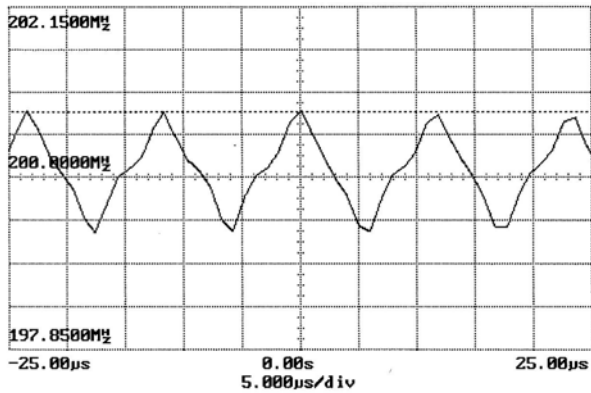
Device CY25562 **Cdiv** 2332 (All Ranges)

Example:

Device = CY25562
 Fin = 200 MHz
 Range = S1 = 1, S0 = 1

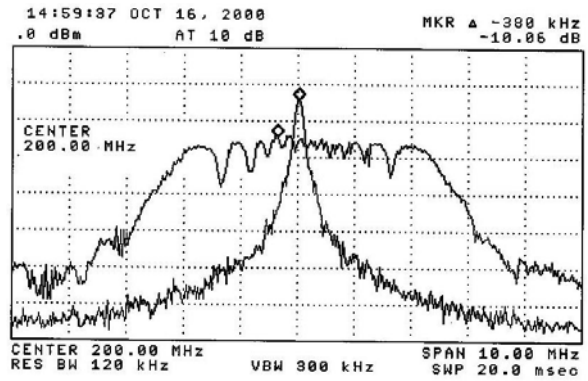
Then;

Modulation Rate = Fmod = 200 MHz/2332 = 85.7 kHz.



Min	199.311MHz	Max	200.840MHz
Rate	85.36kHz	Pk-Pk	1.529MHz

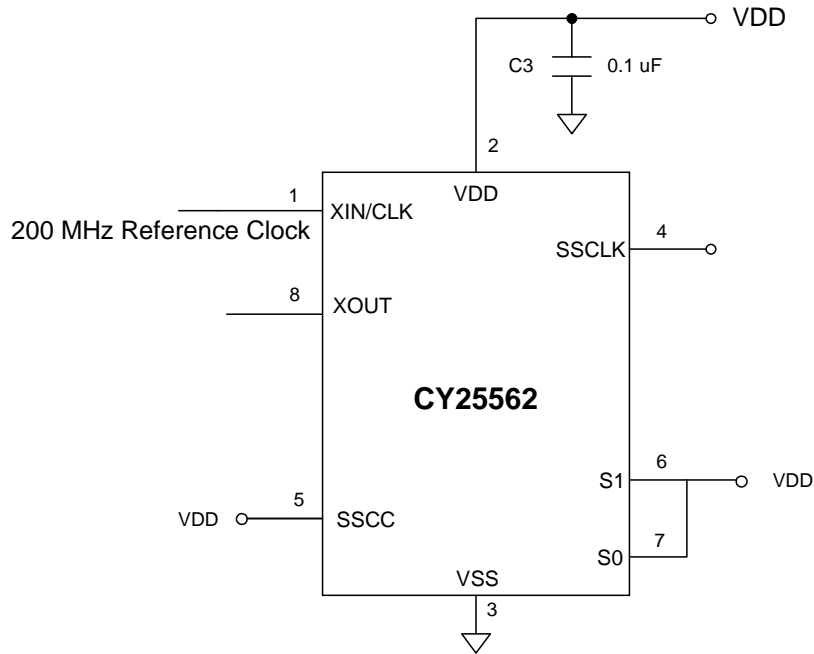
Modulation Profile



Spectrum Analyzer

Part Number Application Schematic

Figure 4. Application Schematic



The schematic in Figure 4 demonstrates how CY25562 is configured in a typical application. This application is using a 200 MHz reference clock connected to pin 1. Because an external reference clock is used, pin 8 (Xout) is left unconnected.

This configuration depicts the profile and spectrum scans shown in Figure 3. Note that S0=S1=1, for a spread of approximately 1.1 percent.

Absolute Maximum Ratings^[1, 2]

Supply voltage (V_{DD})-0.5 V to +6.0 V	Operating temperature 0 °C to 70 °C
DC input voltage-0.5 V to $V_{DD} + 0.5$ V	Storage temperature -65 °C to +150 °C
Junction temperature -40 °C to +140 °C	Static discharge voltage (ESD) 2,000 V Min

Table 2. Electrical Characteristics $V_{DD} = 3.3$ V, $T_A = 25$ °C, and C_L (Pin 4) = 15 pF unless otherwise noted

Parameter	Description	Conditions	Min	Typ	Max	Unit
V_{DD}	Power supply range	$\pm 10\%$	2.97	3.3	3.63	V
V_{INH}	Input high voltage	S0 and S1 only	$0.85V_{DD}$	V_{DD}	V_{DD}	V
V_{INM}	Input middle voltage	S0 and S1 only	$0.40V_{DD}$	$0.50V_{DD}$	$0.60V_{DD}$	V
V_{INL}	Input low voltage	S0 and S1 only	0.0	0.0	$0.15V_{DD}$	V
V_{OH1}	Output high voltage	$I_{OH} = 6$ mA	2.4	–	–	V
V_{OH2}	Output high voltage	$I_{OH} = 20$ mA	2.0	–	–	V
V_{OL1}	Output low voltage	$I_{OH} = 6$ mA	–	–	0.4	V
V_{OL2}	Output low voltage	$I_{OH} = 20$ mA	–	–	1.2	V
C_{in1}	Input capacitance	Xin/CLK (pin 1)	3	4	5	pF
C_{in2}	Input capacitance	Xout (pin 8)	6	8	10	pF
C_{in2}	Input capacitance	S0, S1, SSCC (pins 7, 6, 5)	3	4	5	pF
I_{DD1}	Power supply current	$F_{in} = 65$ MHz, $CL = 15$ pF	–	23	30	mA
I_{DD2}	Power supply current	$F_{in} = 200$ MHz, $CL = 15$ pF	–	53	66	mA
I_{DD3}	Power supply current	$F_{in} = 200$ MHz, no load	–	48	60	mA

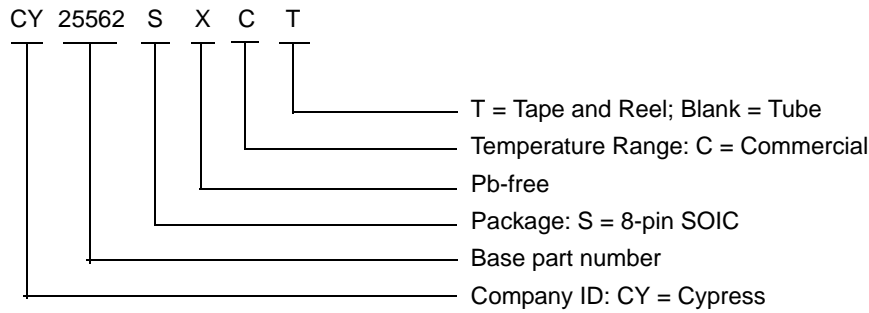
Table 3. Electrical Timing Characteristics $V_{DD} = 3.3$ V, $T_A = 25$ °C, and $C_L = 15$ pF unless otherwise noted. Rise/Fall at 0.4 to 2.4 V, Duty at 1.5 V

Parameter	Description	Conditions	Min	Typ	Max	Unit
I_{CLKFR}	Input clock frequency range	$Pk-Pk = 3.3$ volts	50	–	200	MHz
t_{RISE}	Clock rise time (pin 4)	SSCLK, $CL = 15$ pF, 200 MHz	0.8	0.9	1.0	ns
t_{FALL}	Clock fall time (pin 4)	SSCLK, $CL = 15$ pF, 200 MHz	0.8	0.9	1.0	ns
t_{RISE}	Clock rise time (pin 4)	SSCLK, $CL = 33$ pF, 200 MHz	1.1	1.45	1.8	ns
t_{FALL}	Clock fall time (pin 4)	SSCLK, $CL = 33$ pF, 200 MHz	1.1	1.5	1.9	ns
D_{TYin}	Input clock duty cycle	XIN/CLK (pin 1)	30	50	70	%
D_{TYout}	Output clock duty cycle	SSCLK1 (pin 4)	45	50	55	%
FM1	Frequency modulation	$F_{in} = 70$ MHz	29.5	30.0	30.5	kHz
FM2	Frequency modulation	$F_{in} = 200$ MHz	85.0	85.4	86	kHz
C_{CJ1}	Cycle-to-Cycle jitter	$F_{in} = 50$ MHz, mod ON	–	150	175	ps
C_{CJ2}	Cycle-to-Cycle jitter	$F_{in} = 120$ MHz, mod ON	–	175	200	ps
C_{CJ3}	Cycle-to-Cycle jitter	$F_{in} = 200$ MHz, mod ON	–	250	300	ps

Ordering Information

Part Number	Package Type	Product Flow
CY25562SXC	8-pin SOIC, Pb-free	Commercial, 0 °C to 70 °C
CY25562SXCT	8-pin SOIC – tape and reel, Pb-free	Commercial, 0 °C to 70 °C

Ordering Code Definition

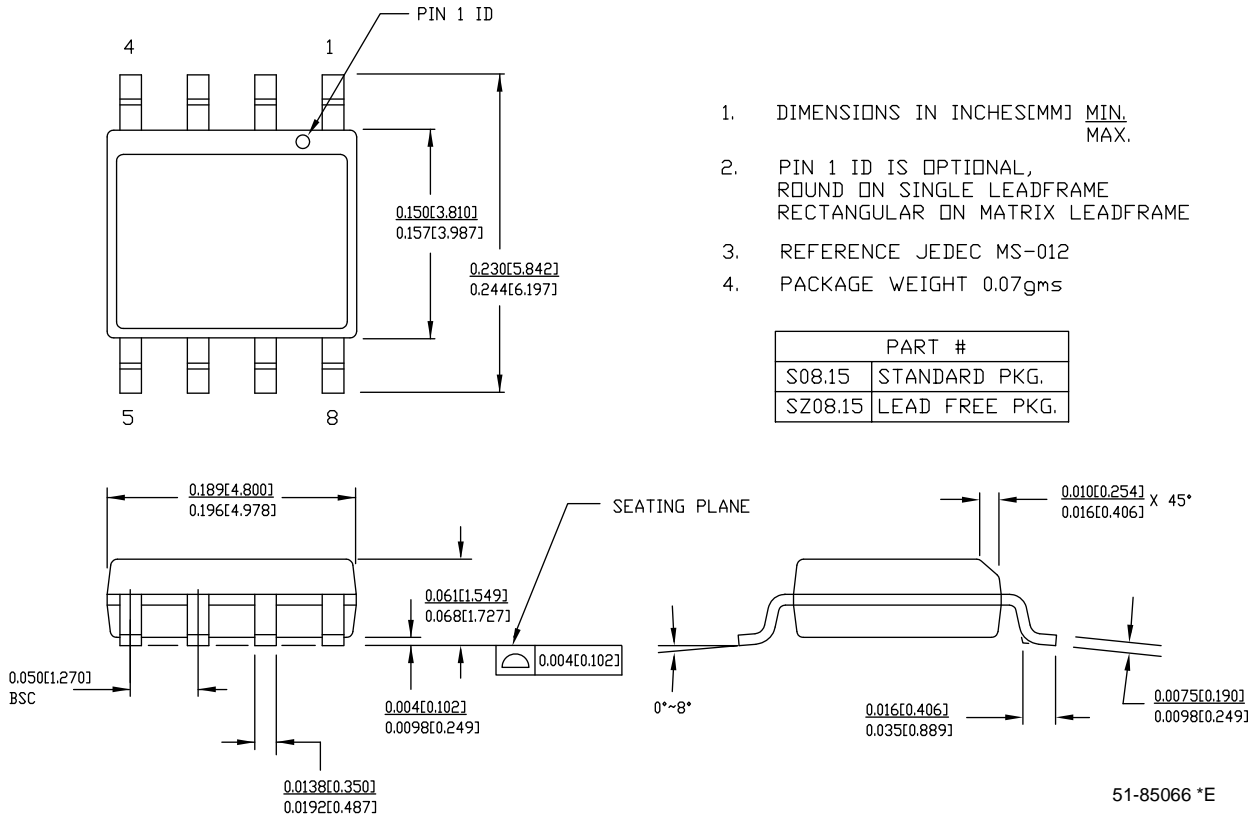


Notes

1. Operation at any absolute maximum rating is not implied.
2. Single power supply: The voltage on any input or I/O pin cannot exceed the power pine during power-up.

Package Drawing and Dimensions

Figure 5. 8 -Pin (150 Mil) SOIC-SO8



Acronyms

Acronym	Description
EMI	electromagnetic interference
PCB	printed circuit board
PLL	phase-locked loop
SOIC	small-outline integrated circuit
SSC	spread spectrum clock
SSCG	spread spectrum clock generator

Document Conventions

Units of Measure

Symbol	Unit of Measure
%	percent
°C	degree Celsius
dB	decibel
mA	milliampere
MHz	Megahertz
mm	millimeter
ms	millisecond
mW	milliwatt
ns	nanosecond
pF	picofarad
ps	picosecond
V	volt
Ω	ohm
W	watt

Document History Page

Document Title: CY25562 Spread Spectrum Clock Generator Document Number: 38-07392				
Rev.	ECN No.	Submission Date	Orig. of Change	Description of Change
**	115526	07/08/02	OXC	New Data Sheet
*A	119444	10/17/02	RGL	Corrected the values in the Absolute Maximum Ratings to match the device.
*B	122703	12/28/02	RBI	Added power up requirements to maximum ratings information.
*C	2567245	09/16/08	PYG/KVM/AESA	Replaced CY25562SC w/ CY25562SXC, CY255652SCT w/ CY25562SXCT. Package changed from S8 to SZ8. Updated template.
*D	3187957	03/04/2011	CXQ	Updated package diagram.
*E	3537234	02/28/2012	PURU	Removed Benefits and Applications sections. Added Ordering Code Definition , Acronyms , and Document Conventions .

Sales, Solutions, and Legal Information

Worldwide Sales and Design Support

Cypress maintains a worldwide network of offices, solution centers, manufacturer's representatives, and distributors. To find the office closest to you, visit us at [Cypress Locations](#).

Products

Automotive	cypress.com/go/automotive
Clocks & Buffers	cypress.com/go/clocks
Interface	cypress.com/go/interface
Lighting & Power Control	cypress.com/go/powerpsoc cypress.com/go/plc
Memory	cypress.com/go/memory
Optical & Image Sensing	cypress.com/go/image
PSoC	cypress.com/go/psoc
Touch Sensing	cypress.com/go/touch
USB Controllers	cypress.com/go/USB
Wireless/RF	cypress.com/go/wireless

PSoC Solutions

psoc.cypress.com/solutions
PSoC 1 | PSoC 3 | PSoC 5

© Cypress Semiconductor Corporation, 2002-2012. The information contained herein is subject to change without notice. Cypress Semiconductor Corporation assumes no responsibility for the use of any circuitry other than circuitry embodied in a Cypress product. Nor does it convey or imply any license under patent or other rights. Cypress products are not warranted nor intended to be used for medical, life support, life saving, critical control or safety applications, unless pursuant to an express written agreement with Cypress. Furthermore, Cypress does not authorize its products for use as critical components in life-support systems where a malfunction or failure may reasonably be expected to result in significant injury to the user. The inclusion of Cypress products in life-support systems application implies that the manufacturer assumes all risk of such use and in doing so indemnifies Cypress against all charges.

Any Source Code (software and/or firmware) is owned by Cypress Semiconductor Corporation (Cypress) and is protected by and subject to worldwide patent protection (United States and foreign), United States copyright laws and international treaty provisions. Cypress hereby grants to licensee a personal, non-exclusive, non-transferable license to copy, use, modify, create derivative works of, and compile the Cypress Source Code and derivative works for the sole purpose of creating custom software and/or firmware in support of licensee product to be used only in conjunction with a Cypress integrated circuit as specified in the applicable agreement. Any reproduction, modification, translation, compilation, or representation of this Source Code except as specified above is prohibited without the express written permission of Cypress.

Disclaimer: CYPRESS MAKES NO WARRANTY OF ANY KIND, EXPRESS OR IMPLIED, WITH REGARD TO THIS MATERIAL, INCLUDING, BUT NOT LIMITED TO, THE IMPLIED WARRANTIES OF MERCHANTABILITY AND FITNESS FOR A PARTICULAR PURPOSE. Cypress reserves the right to make changes without further notice to the materials described herein. Cypress does not assume any liability arising out of the application or use of any product or circuit described herein. Cypress does not authorize its products for use as critical components in life-support systems where a malfunction or failure may reasonably be expected to result in significant injury to the user. The inclusion of Cypress' product in a life-support systems application implies that the manufacturer assumes all risk of such use and in doing so indemnifies Cypress against all charges.

Use may be limited by and subject to the applicable Cypress software license agreement.