

Features

- Very high speed
 - 55 ns
- Wide voltage range
 - 2.2 V – 3.6 V
- Ultra-low active power
 - Typical active current: 2 mA at $f = 1$ MHz
 - Typical active current: 15 mA at $f = f_{Max}$ (55 ns Speed)
- Ultra-low standby power
- Easy memory expansion with \overline{CE}_1 , CE_2 and \overline{OE} features
- Automatic power-down when deselected
- Complementary metal oxide semiconductor (CMOS) for optimum speed/power
- Available in non Pb-free 48-ball very fine ball grid array (VFBGA) package.

Functional Description

The CY62168DV30 is a high-performance CMOS static RAMs organized as 2048Kbit words by 8 bits. This device features advanced circuit design to provide ultra-low active current. This is ideal for providing More Battery Life™ (MoBL®) in portable applications such as cellular telephones. The device also has an

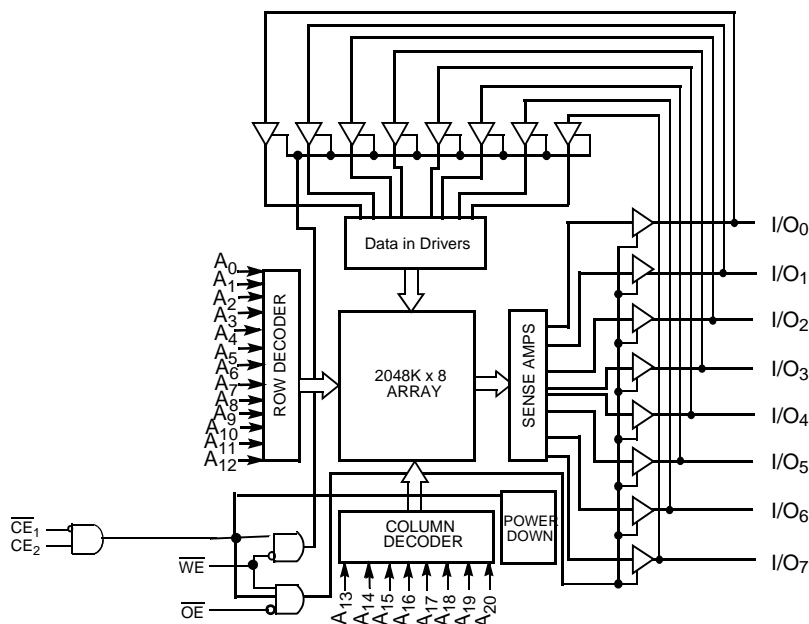
automatic power-down feature that significantly reduces power consumption. The device can be put into standby mode reducing power consumption by 90% when addresses are not toggling. The device can be put into standby mode reducing power consumption by more than 99% when deselected Chip Enable 1 (\overline{CE}_1) HIGH or Chip Enable 2 (CE_2) LOW. The input/output pins (I/O_0 through I/O_7) are placed in a high-impedance state when: deselected Chip Enable 1 (\overline{CE}_1) HIGH or Chip Enable 2 (CE_2) LOW, outputs are disabled (\overline{OE} HIGH), or during a write operation (Chip Enable 1 (\overline{CE}_1) LOW and Chip Enable 2 (CE_2) HIGH and WE LOW).

Writing to the device is accomplished by taking Chip Enable 1 (\overline{CE}_1) LOW and Chip Enable 2 (CE_2) HIGH and Write Enable (WE) input LOW. Data on the eight I/O pins (I/O_0 through I/O_7) is then written into the location specified on the address pins (A_0 through A_{20}).

Reading from the device is accomplished by taking Chip Enable 1 (\overline{CE}_1) and Output Enable (\overline{OE}) LOW and Chip Enable 2 (CE_2) HIGH while forcing Write Enable (WE) HIGH. Under these conditions, the contents of the memory location specified by the address pins appear on the I/O pins.

The eight input/output pins (I/O_0 through I/O_7) are placed in a high-impedance state when the device is deselected (\overline{CE}_1 LOW and CE_2 HIGH), the outputs are disabled (\overline{OE} HIGH), or during a write operation (\overline{CE}_1 LOW and CE_2 HIGH and WE LOW). See the "Truth Table" on page 10 for a complete description of read and write modes.

Logic Block Diagram



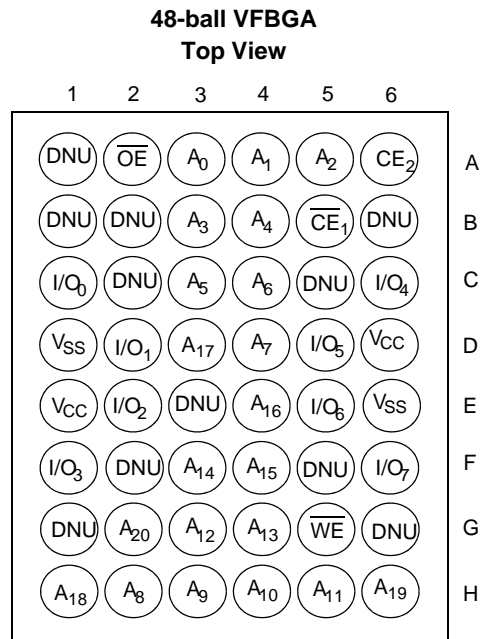
Contents

Product Portfolio	3	Switching Waveforms	8
Pin Configuration	3	Truth Table	10
Maximum Ratings	4	Ordering Information	10
Operating Range	4	Ordering Code Definitions	10
DC Electrical Characteristics		Package Diagram	11
(Over the Operating Range)	4	Acronyms	11
Capacitance	5	Document Conventions	11
Thermal Resistance	5	Units of Measure	11
AC Test Loads and Waveforms	5	Document History Page	12
Data Retention Characteristics		Sales, Solutions, and Legal Information	13
(Over the Operating Range)	6	Worldwide Sales and Design Support	13
Data Retention Waveform	6	Products	13
Switching Characteristics		PSoC Solutions	13
(Over the Operating Range)	7		

Product Portfolio

Product	V _{CC} Range (V)			Speed (ns)	Power Dissipation					
					Operating I _{CC} (mA)				Standby I _{SB2} (μ A)	
	f = 1 MHz		f = f _{Max}							
	Min	Typ ^[2]	Max		Typ ^[2]	Max	Typ ^[2]	Max	Typ ^[2]	Max
CY62168DV30LL	2.2	3.0	3.6	55	2	4	15	30	2.5	22

Pin Configuration^[1]



Notes

1. DNU pins have to be left floating or tied to V_{SS} to ensure proper operation.
2. Typical values are included for reference only and are not guaranteed or tested. Typical values are measured at V_{CC} = V_{CC(typ)}, T_A = 25 °C.

Maximum Ratings

Exceeding maximum ratings may shorten the useful life of the device. User guidelines are not tested.

Storage temperature -65 °C to +150 °C

Ambient temperature with power applied -55 °C to +125 °C

Supply voltage to ground potential -0.3 V to $V_{CC(max)}$ + 0.3 V

DC voltage applied to outputs in High-Z state^[3, 4] -0.3 V to $V_{CC(max)}$ + 0.3 V

DC input voltage^[3, 4] -0.3 V to $V_{CC(max)}$ + 0.3 V

Output current into outputs (LOW) 20 mA

Static discharge voltage > 2001 V (per MIL-STD-883, Method 3015)

Latch-up current > 200 mA

Operating Range

Range	Ambient Temperature (T_A) ^[5]	V_{CC} ^[6]
Industrial	-40 °C to +85 °C	2.2 V – 3.6 V

DC Electrical Characteristics (Over the Operating Range)

Parameter	Description	Test Conditions	CY62168DV30-55			Unit	
			Min	Typ ^[7]	Max		
V_{OH}	Output HIGH voltage	$2.2\text{ V} \leq V_{CC} \leq 2.7\text{ V}$	$I_{OH} = -0.1\text{ mA}$	2.0	–	–	V
		$2.7\text{ V} \leq V_{CC} \leq 3.6\text{ V}$	$I_{OH} = -1.0\text{ mA}$	2.4	–	–	
V_{OL}	Output LOW voltage	$2.2\text{ V} \leq V_{CC} \leq 2.7\text{ V}$	$I_{OL} = 0.1\text{ mA}$	–	–	0.4	V
		$2.7\text{ V} \leq V_{CC} \leq 3.6\text{ V}$	$I_{OL} = 2.1\text{ mA}$	–	–	0.4	
V_{IH}	Input HIGH voltage	$2.2\text{ V} \leq V_{CC} \leq 2.7\text{ V}$		1.8	–	$V_{CC} + 0.3$	V
		$2.7\text{ V} \leq V_{CC} \leq 3.6\text{ V}$		2.2	–	$V_{CC} + 0.3$	
V_{IL}	Input LOW voltage	$2.2\text{ V} \leq V_{CC} \leq 2.7\text{ V}$		-0.3	–	0.6	V
		$2.7\text{ V} \leq V_{CC} \leq 3.6\text{ V}$		-0.3	–	0.8	
I_{IX}	Input leakage current	$GND \leq V_I \leq V_{CC}$		-1	–	+1	μA
I_{OZ}	Output leakage current	$GND \leq V_O \leq V_{CC}$, Output disabled		-1	–	+1	μA
I_{CC}	V_{CC} operating supply current	$f = f_{Max} = 1/t_{RC}$	$V_{CC} = 3.6\text{ V}$, $I_{OUT} = 0\text{ mA}$, CMOS level	–	15	30	mA
		$f = 1\text{ MHz}$		–	2	4	
I_{SB1}	Automatic CE power-down current — CMOS inputs	$\overline{CE}_1 \geq V_{CC} - 0.2\text{ V}$, $CE_2 \leq 0.2\text{ V}$, $V_{IN} \geq V_{CC} - 0.2\text{ V}$, $V_{IN} \leq 0.2\text{ V}$, $f = f_{Max}$ (Address and data only), $f = 0$ (OE, WE)		–	2.5	22	μA
I_{SB2}	Automatic CE power-down current— CMOS inputs	$\overline{CE}_1 \geq V_{CC} - 0.2\text{ V}$, $CE_2 \leq 0.2\text{ V}$, $V_{IN} \geq V_{CC} - 0.2\text{ V}$ or $V_{IN} \leq 0.2\text{ V}$, $f = 0$, $V_{CC} = 3.6\text{ V}$		–	2.5	22	μA

Notes

- $V_{IL(min)}$ = -2.0 V for pulse durations less than 20 ns.
- $V_{IH(max)}$ = $V_{CC} + 0.75\text{ V}$ for pulse durations less than 20 ns.
- T_A is the "Instant-On" case temperature.
- Full device AC operation assumes a 100 μs ramp time from 0 to $V_{CC(min)}$ and 100 μs wait time after V_{CC} stabilization.
- Typical values are included for reference only and are not guaranteed or tested. Typical values are measured at $V_{CC} = V_{CC(typ)}$, $T_A = 25\text{ °C}$

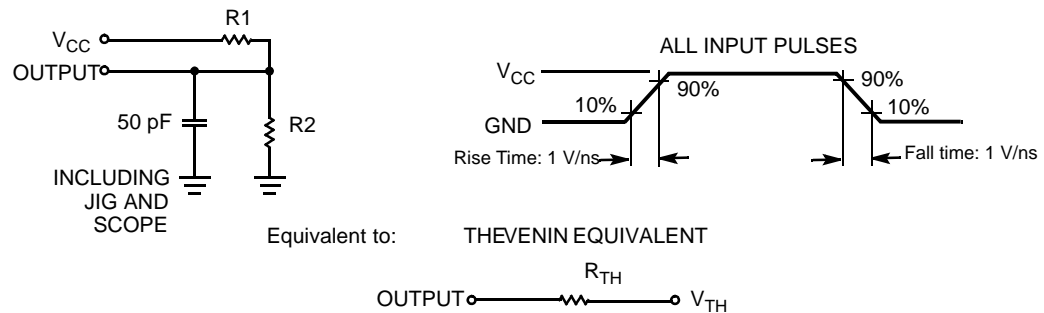
Capacitance

Parameter ^[8]	Description	Test Conditions	Max	Unit
C _{IN}	Input capacitance	T _A = 25 °C, f = 1 MHz, V _{CC} = V _{CC(typ.)}	8	pF
C _{OUT}	Output capacitance		10	pF

Thermal Resistance

Parameter ^[8]	Description	Test Conditions	VFBGA	Unit
θ _{JA}	Thermal resistance (junction to ambient)	Still air, soldered on a 3 × 4.5 inch, 2-layer printed circuit board	55	°C / W
θ _{JC}	Thermal resistance (junction to case)		16	°C / W

AC Test Loads and Waveforms



Parameters	2.5 V	3.0 V	Unit
R1	16600	1103	Ω
R2	15400	1554	Ω
R _{TH}	8000	645	Ω
V _{TH}	1.2	1.75	V

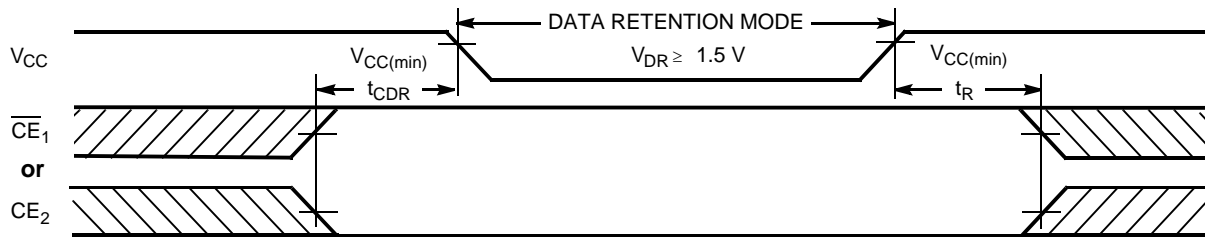
Note

8. Tested initially and after any design or process changes that may affect these parameters.

Data Retention Characteristics (Over the Operating Range)

Parameter	Description	Conditions	Min	Typ ^[10]	Max	Unit
V_{DR}	V_{CC} for data retention		1.5	–	3.6	V
I_{CCDR}	Data retention current	$V_{CC} = 1.5\text{ V}$ $\overline{CE}_1 > V_{CC} - 0.2\text{ V}$ or $CE_2 \leq 0.2\text{ V}$ $V_{IN} > V_{CC} - 0.2\text{ V}$ or $V_{IN} \leq 0.2\text{ V}$	–	–	10	μA
$t_{CDR}^{[9]}$	Chip deselect to data retention time		0	–	–	ns
$t_R^{[11]}$	Operation recovery time		55	–	–	ns

Data Retention Waveform



Notes

- 9. Tested initially and after any design or process changes that may affect these parameters.
- 10. Typical values are included for reference only and are not guaranteed or tested. Typical values are measured at $V_{CC} = V_{CC(typ)}$, $T_A = 25\text{ }^\circ\text{C}$
- 11. Full Device AC operation requires linear V_{CC} ramp from V_{DR} to $V_{CC(min)} > 100\text{ }\mu\text{s}$ or stable at $V_{CC(min)} > 100\text{ }\mu\text{s}$.

Switching Characteristics Over the Operating Range

Parameter ^[12]	Description	55 ns		Unit
		Min	Max	
Read Cycle				
t_{RC}	Read cycle time	55	–	ns
t_{AA}	Address to data valid	–	55	ns
t_{OHA}	Data hold from address change	10	–	ns
t_{ACE}	\overline{CE}_1 LOW and CE_2 HIGH to data valid	–	55	ns
t_{DOE}	\overline{OE} LOW to data valid	–	25	ns
t_{LZOE}	\overline{OE} LOW to low $Z^{[13]}$	5	–	ns
t_{HZOE}	\overline{OE} HIGH to high $Z^{[13, 14]}$	–	20	ns
t_{LZCE}	\overline{CE}_1 LOW and CE_2 HIGH to low $Z^{[13]}$	10	–	ns
t_{HZCE}	\overline{CE}_1 HIGH or CE_2 LOW to high $Z^{[13, 14]}$	–	20	ns
t_{PU}	\overline{CE}_1 LOW and CE_2 HIGH to power-up	0	–	ns
t_{PD}	\overline{CE}_1 HIGH or CE_2 LOW to power-down	–	55	ns
Write Cycle^[15]				
t_{WC}	Write cycle time	55	–	ns
t_{SCE}	\overline{CE}_1 LOW and CE_2 HIGH to write end	40	–	ns
t_{AW}	Address setup to write end	40	–	ns
t_{HA}	Address hold from write end	0	–	ns
t_{SA}	Address setup to write start	0	–	ns
t_{PWE}	\overline{WE} Pulse width	40	–	ns
t_{SD}	Data setup to write end	25	–	ns
t_{HD}	Data hold from write end	0	–	ns
t_{HZWE}	\overline{WE} LOW to high $Z^{[13, 14]}$	–	20	ns
t_{LZWE}	\overline{WE} HIGH to low $Z^{[13]}$	10	–	ns

Notes

12. Test conditions for all parameters other than tri-state parameters assume signal transition time of 3ns or less (1V/ns), timing reference levels of $V_{CC(typ.)}/2$, input pulse levels of 0 to $V_{CC(typ.)}$, and output loading of the specified I_{OL}/I_{OH} as shown in the "AC Test Loads and Waveforms" section.
13. At any temperature and voltage condition, t_{HZCE} is less than t_{LZCE} , t_{HZOE} is less than t_{LZOE} , and t_{HZWE} is less than t_{LZWE} for any device.
14. t_{HZOE} , t_{HZCE} , and t_{HZWE} transitions are measured when the outputs enter a high impedance state.
15. The internal write time of the memory is defined by the overlap of \overline{WE} , $\overline{CE}_1 = V_{IL}$, and $CE_2 = V_{IH}$. All signals must be ACTIVE to initiate a write and any of these signals can terminate a write by going INACTIVE. The data input setup and hold timing should be referenced to the edge of the signal that terminates the write.

Switching Waveforms

Figure 1. Read Cycle No. 1 (Address Transition Controlled)^[16, 17]

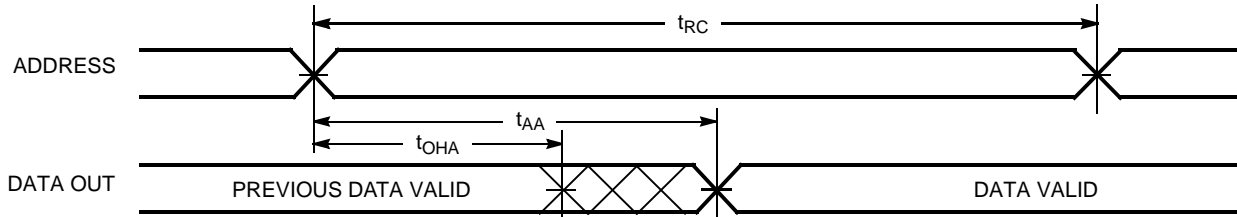


Figure 2. Read Cycle No. 2 (OE Controlled)^[17, 18]

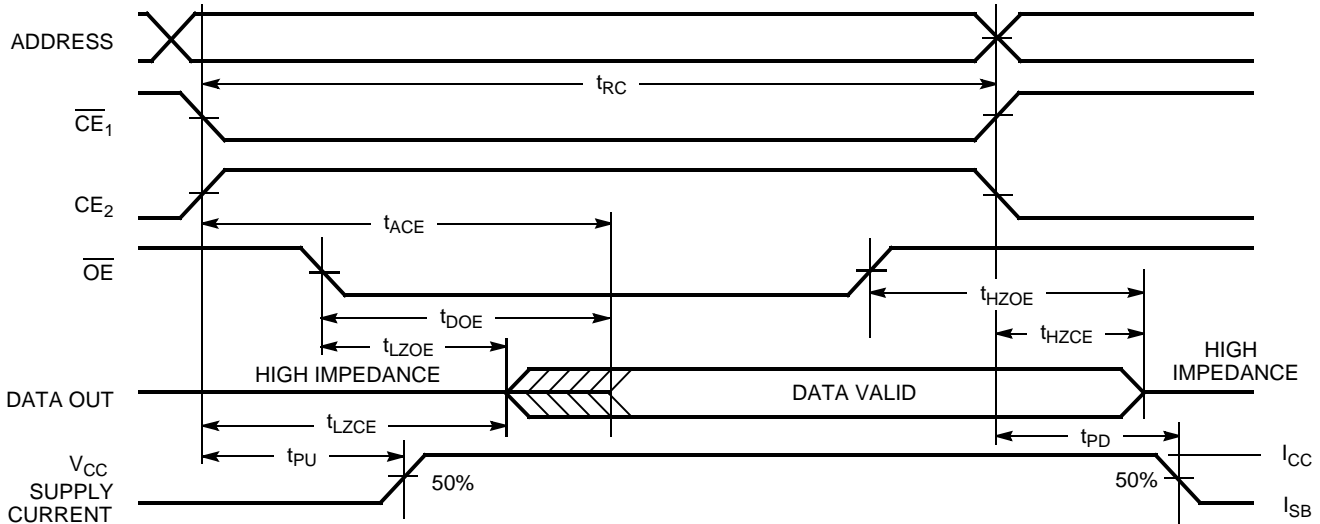
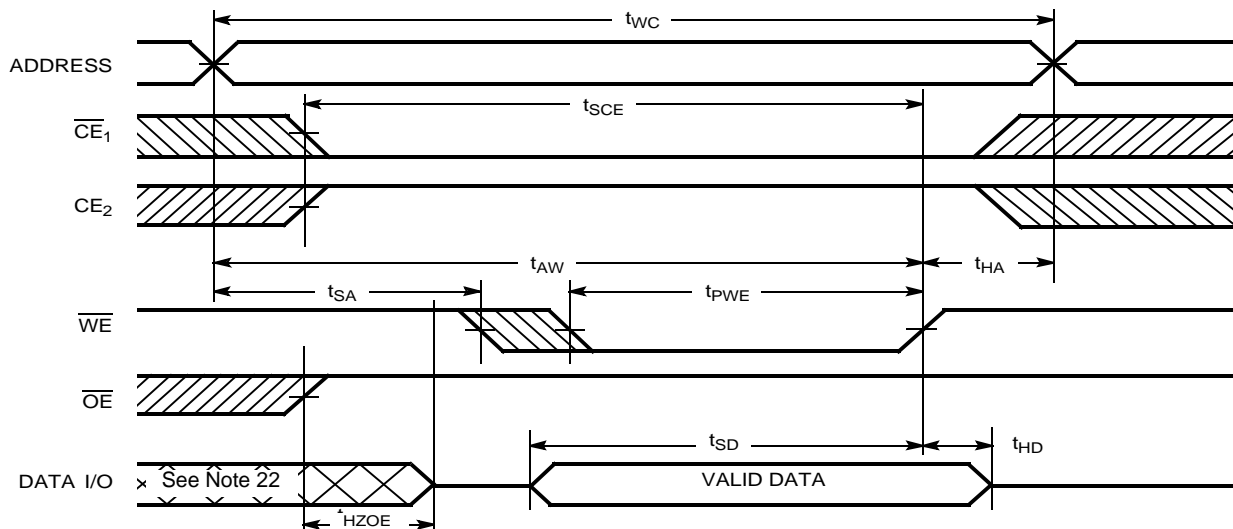


Figure 3. Write Cycle No. 1 (\overline{WE} Controlled)^[19, 20, 21]



Notes

16. Device is continuously selected. \overline{OE} , $\overline{CE}_1 = V_{IL}$, $CE_2 = V_{IH}$.
17. \overline{WE} is HIGH for read cycle.
18. Address valid prior to or coincident with \overline{CE}_1 transition LOW and CE_2 transition HIGH.
19. The internal write time of the memory is defined by the overlap of \overline{WE} , $\overline{CE}_1 = V_{IL}$, and $CE_2 = V_{IH}$. All signals must be ACTIVE to initiate a write and any of these signals can terminate a write by going INACTIVE. The data input setup and hold timing should be referenced to the edge of the signal that terminates the write.
20. Data I/O is high impedance if $\overline{OE} = V_{IH}$.
21. If \overline{CE}_1 goes HIGH or CE_2 goes LOW simultaneously with \overline{WE} HIGH, the output remains in high-impedance state.
22. During this period, the I/Os are in output state and input signals should not be applied.

Switching Waveforms (continued)

Figure 4. Write Cycle No. 2 (\overline{CE}_1 or CE_2 Controlled)^[23, 24, 25]

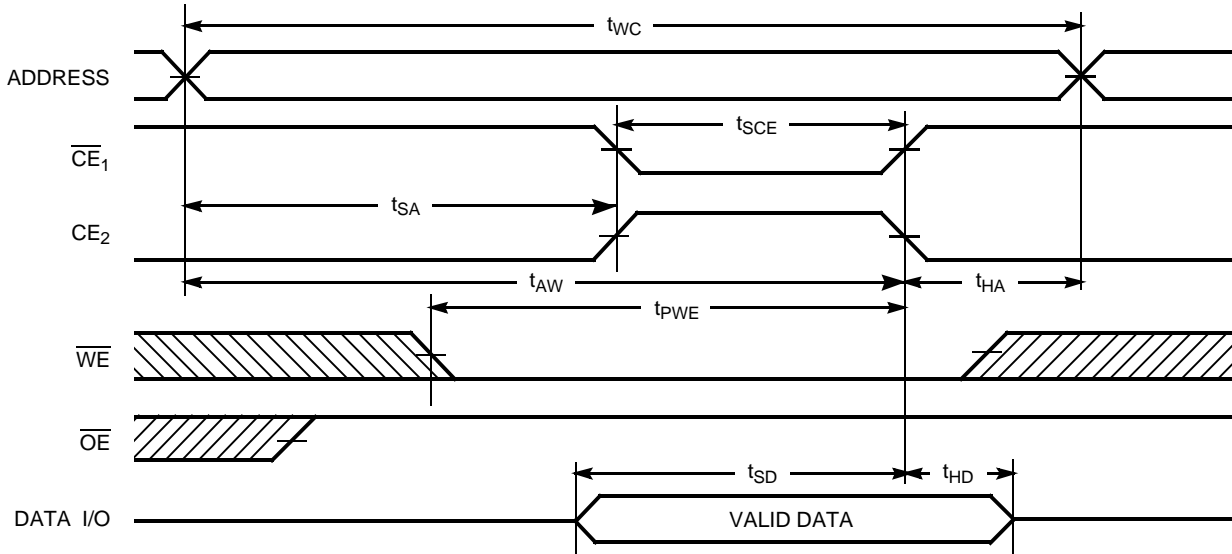
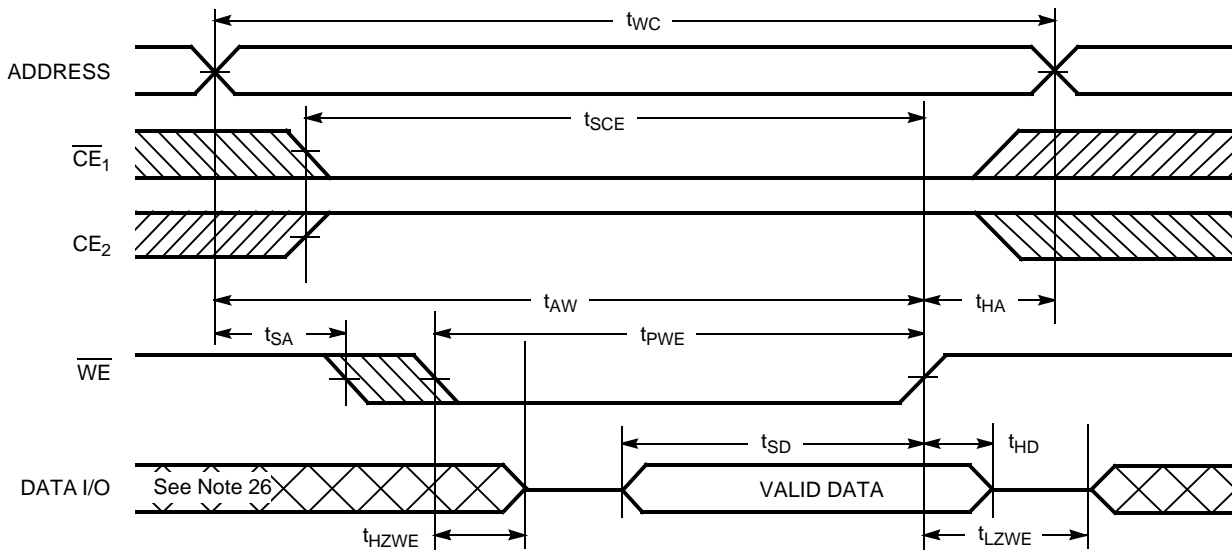


Figure 5. Write Cycle No. 3 (\overline{WE} Controlled, \overline{OE} LOW)^[26]



Notes

- 23. The internal write time of the memory is defined by the overlap of \overline{WE} , $\overline{CE}_1 = V_{IL}$, and $CE_2 = V_{IH}$. All signals must be ACTIVE to initiate a write and any of these signals can terminate a write by going INACTIVE. The data input setup and hold timing should be referenced to the edge of the signal that terminates the write.
- 24. Data I/O is high impedance if $\overline{OE} = V_{IH}$.
- 25. If \overline{CE}_1 goes HIGH or CE_2 goes LOW simultaneously with \overline{WE} HIGH, the output remains in high-impedance state.
- 26. During this period, the I/Os are in output state and input signals should not be applied.

Truth Table

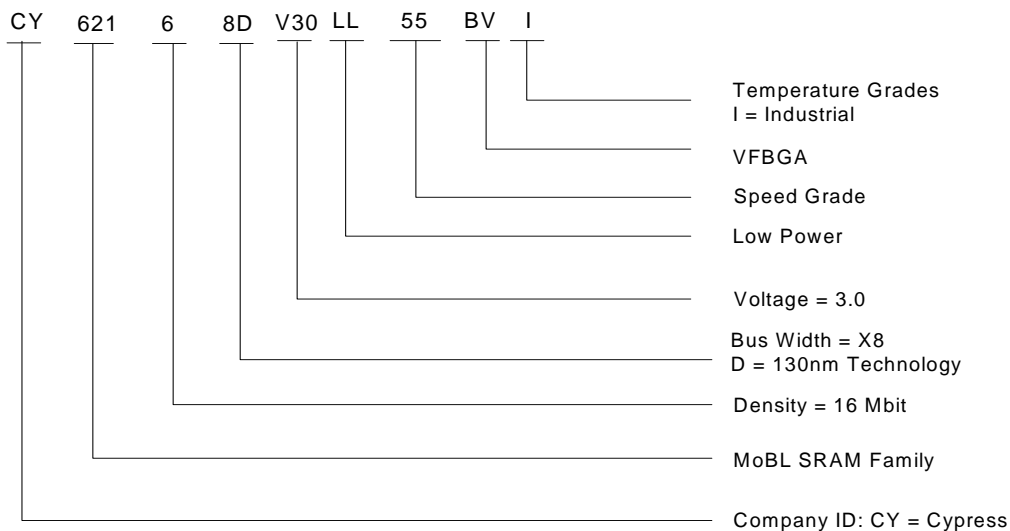
\overline{CE}_1	\overline{CE}_2	\overline{WE}	\overline{OE}	Inputs/Outputs	Mode	Power
H	X	X	X	High Z	Deselect/Power-down	Standby (I_{SB})
X	L	X	X	High Z	Deselect/Power-down	Standby (I_{SB})
L	H	H	L	Data out (I/O ₀ -I/O ₇)	Read	Active (I_{CC})
L	H	L	X	Data in (I/O ₀ -I/O ₇)	Write	Active (I_{CC})
L	H	H	H	High Z	Output disabled	Active (I_{CC})

Ordering Information

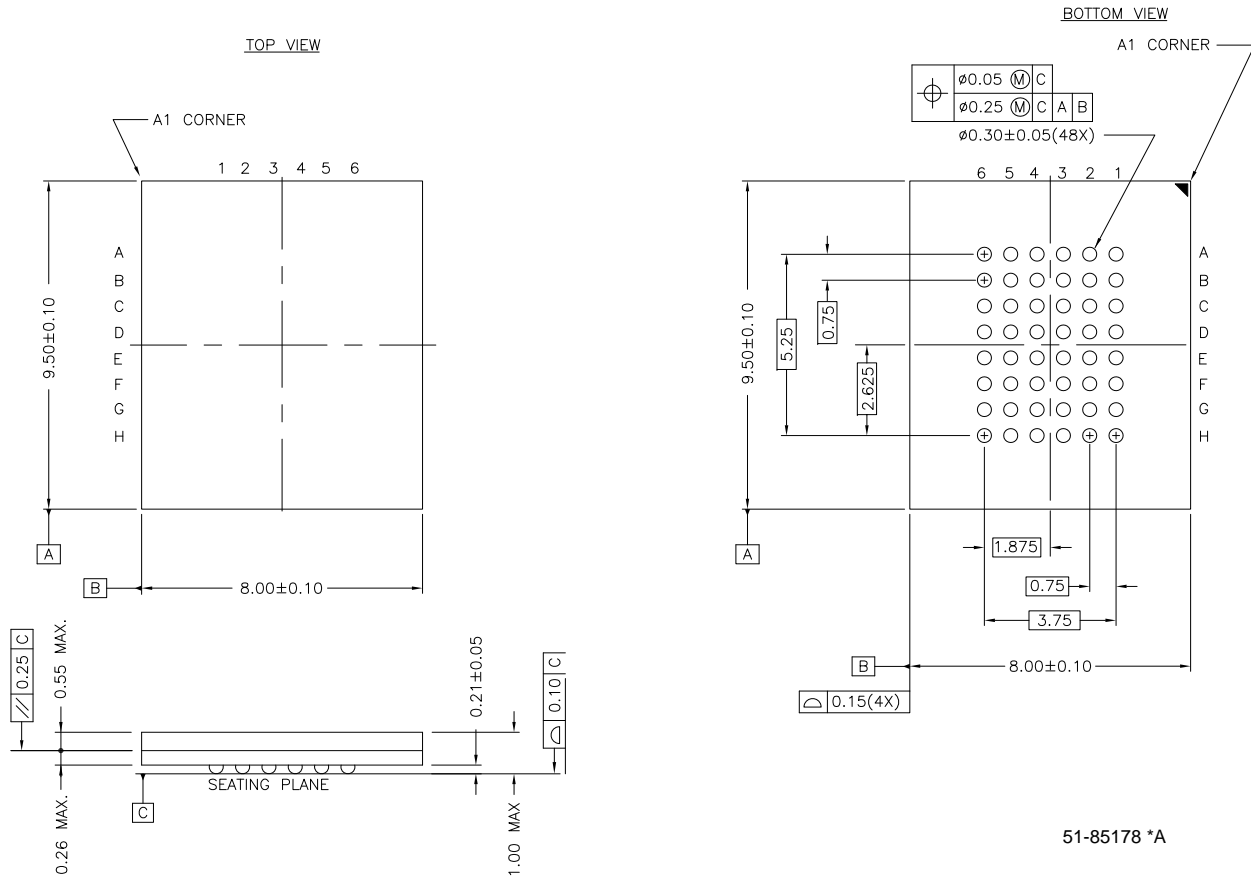
The following table contains only the parts that are currently available. If you do not see what you are looking for, contact your local sales representative. For more information, visit the Cypress website at <http://www.cypress.com> and see product summary page at <http://www.cypress.com/products>. Cypress maintains a worldwide network of offices, solution centers, manufacturers representatives and distributors. To find the office closest to you, visit us at <http://www.cypress.com/go/datasheet/offices>.

Speed (ns)	Ordering Code	Package Diagram	Package Type	Operating Range
55	CY62168DV30LL-55BVI	51-85178	48-ball FBGA (8 × 9.5 × 1 mm)	Industrial

Please contact your local Cypress sales representative for availability of these parts

Ordering Code Definitions


Package Diagram



Acronyms

Acronym	Description
CMOS	complementary metal oxide semiconductor
I/O	input/output
SRAM	static random access memory
VFBGA	very fine ball grid array
TSOP	thin small outline package

Document Conventions

Units of Measure

Symbol	Unit of Measure
°C	degrees Celsius
μA	microampere
mA	milliampere
MHz	megahertz
ns	nanosecond
pF	picofarad
V	volt
Ω	ohm
W	watt

Document History Page

Document Title: CY62168DV30 MoBL [®] , 16-Mbit (2 M x 8) MoBL [®] Static RAM Document Number: 38-05329				
Revision	ECN	Orig. of Change	Submission Date	Description of Change
**	118409	GUG	09/30/02	New Data Sheet
*A	123693	DPM	02/05/03	Changed Advance Information to Preliminary Added package diagram
*B	126556	DPM	04/24/03	Minor change: Change sunset owner from DPM to HRT
*C	132869	XRJ	01/15/04	Changed Preliminary to Final
*D	272589	PCI	See ECN	Updated Final data sheet and added Pb-free package.
*E	335864	PCI	See ECN	Removed redundant packages from Ordering Information Table Added Address A ₂₀ to ball G2 in the Pin Configuration
*F	492895	VKN	See ECN	Changed address of Cypress Semiconductor Corporation on Page# 1 from "3901 North First Street" to "198 Champion Court" Removed 70 ns speed bin Removed L power bin from product offering Updated Ordering Information Table
*G	2914085	NIKM	04/15/10	Removed inactive part from Ordering Information. Updated Packaging Information
*H	3070774	RAME	10/27/10	Updated Template Added Acronyms and Units of Measure Added Ordering Code Definitions Converted all table notes to footnote as per latest template
*I	3090588	AJU	11/19/10	Post to external web.
*J	3329789	RAME	07/27/11	Removed references to AN1064 SRAM system guidelines. Updated template according to current CY standards.

Sales, Solutions, and Legal Information

Worldwide Sales and Design Support

Cypress maintains a worldwide network of offices, solution centers, manufacturer's representatives, and distributors. To find the office closest to you, visit us at [Cypress Locations](#).

Products

Automotive	cypress.com/go/automotive
Clocks & Buffers	cypress.com/go/clocks
Interface	cypress.com/go/interface
Lighting & Power Control	cypress.com/go/powerpsoc cypress.com/go/plc
Memory	cypress.com/go/memory
Optical & Image Sensing	cypress.com/go/image
PSoC	cypress.com/go/psoc
Touch Sensing	cypress.com/go/touch
USB Controllers	cypress.com/go/USB
Wireless/RF	cypress.com/go/wireless

PSoC Solutions

psoc.cypress.com/solutions
PSoC 1 | PSoC 3 | PSoC 5

© Cypress Semiconductor Corporation, 2002-2011. The information contained herein is subject to change without notice. Cypress Semiconductor Corporation assumes no responsibility for the use of any circuitry other than circuitry embodied in a Cypress product. Nor does it convey or imply any license under patent or other rights. Cypress products are not warranted nor intended to be used for medical, life support, life saving, critical control or safety applications, unless pursuant to an express written agreement with Cypress. Furthermore, Cypress does not authorize its products for use as critical components in life-support systems where a malfunction or failure may reasonably be expected to result in significant injury to the user. The inclusion of Cypress products in life-support systems application implies that the manufacturer assumes all risk of such use and in doing so indemnifies Cypress against all charges.

Any Source Code (software and/or firmware) is owned by Cypress Semiconductor Corporation (Cypress) and is protected by and subject to worldwide patent protection (United States and foreign), United States copyright laws and international treaty provisions. Cypress hereby grants to licensee a personal, non-exclusive, non-transferable license to copy, use, modify, create derivative works of, and compile the Cypress Source Code and derivative works for the sole purpose of creating custom software and or firmware in support of licensee product to be used only in conjunction with a Cypress integrated circuit as specified in the applicable agreement. Any reproduction, modification, translation, compilation, or representation of this Source Code except as specified above is prohibited without the express written permission of Cypress.

Disclaimer: CYPRESS MAKES NO WARRANTY OF ANY KIND, EXPRESS OR IMPLIED, WITH REGARD TO THIS MATERIAL, INCLUDING, BUT NOT LIMITED TO, THE IMPLIED WARRANTIES OF MERCHANTABILITY AND FITNESS FOR A PARTICULAR PURPOSE. Cypress reserves the right to make changes without further notice to the materials described herein. Cypress does not assume any liability arising out of the application or use of any product or circuit described herein. Cypress does not authorize its products for use as critical components in life-support systems where a malfunction or failure may reasonably be expected to result in significant injury to the user. The inclusion of Cypress' product in a life-support systems application implies that the manufacturer assumes all risk of such use and in doing so indemnifies Cypress against all charges.

Use may be limited by and subject to the applicable Cypress software license agreement.