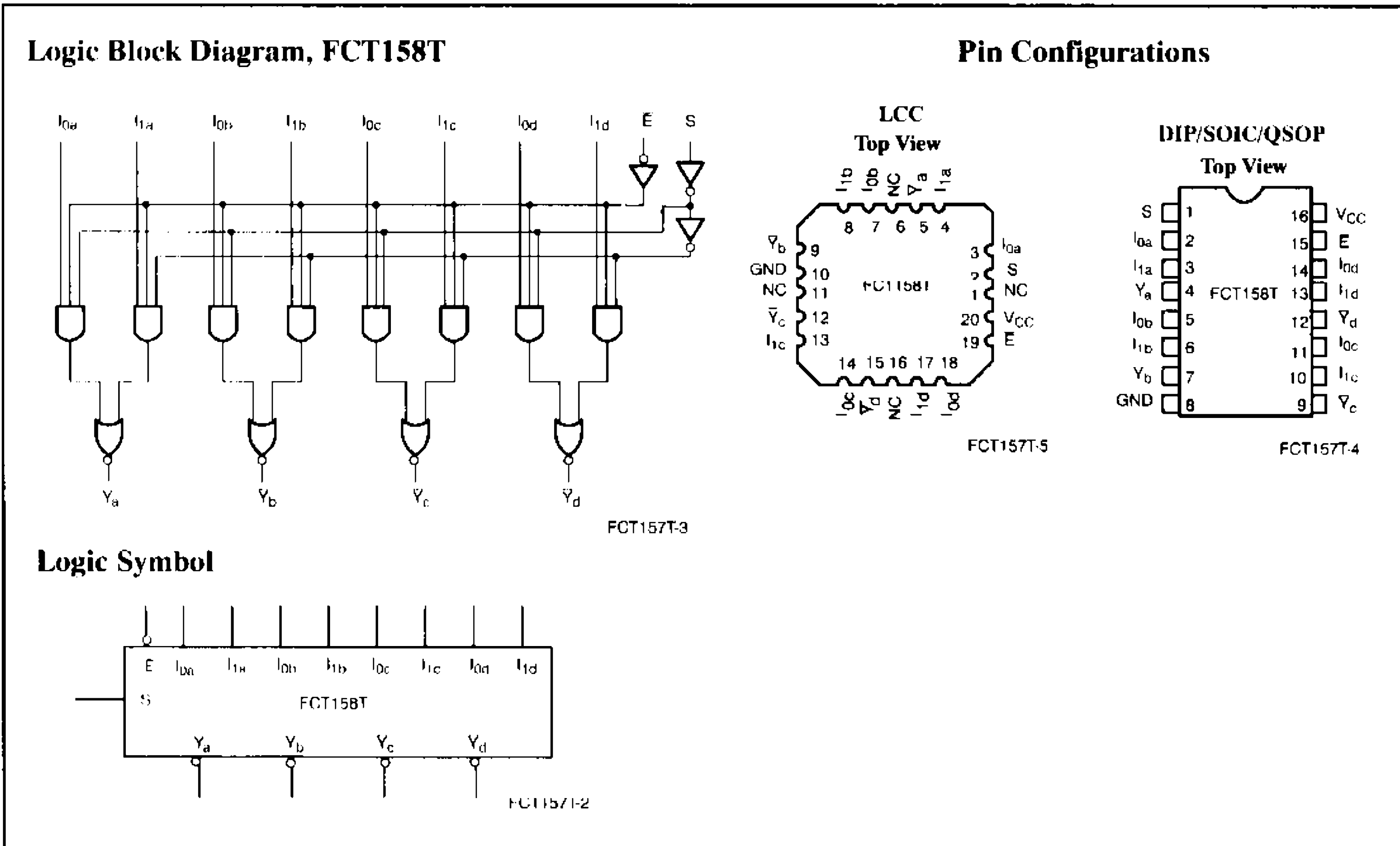




CY54/74FCT157T
CY54/74FCT158T



Pin Description

Name	Description
S	Common Select Input
\bar{E}	Enable Inputs (Active LOW)
I_0	Data Inputs from Source 0
I_1	Data Inputs from Source 1
Y	Non-Inverted Output (FCT157T)
\bar{Y}	Inverted Output (FCT158T)

Function Table⁽¹⁾—FCT157T

Inputs				Outputs
\bar{E}	S	I_0	I_1	Y
H	X	X	X	H
L	H	X	L	L
L	H	X	H	H
L	L	L	X	L
L	L	H	X	H

Function Table⁽¹⁾—FCT158T

Inputs				Outputs
\bar{E}	S	I_0	I_1	\bar{Y}
H	X	X	X	H
L	H	X	L	H
L	H	X	H	L
L	L	L	X	H
L	L	H	X	L

Note:
L = HIGH Voltage Level, L = LOW Voltage Level, X = Don't Care.