



CY74FCT16823T CY74FCT162823T 18-Bit Registers

Features

- Low power, pin compatible replacement for ABT functions
- FCT-C speed at 6.0 ns
- Power-off disable outputs permits live insertion
- Edge-rate control circuitry for significantly improved noise characteristics
- Typical output skew < 250 ps
- ESD > 2000 V
- TSSOP (19.6-mil pitch) and SSOP (25-mil pitch) packages
- Extended commercial range of -40 °C to +85 °C
- $V_{CC} = 5V \pm 10\%$

CY74FCT16823T Features:

- 64 mA sink current (Com'I), 32 mA source current (Com'O)
- Typical V_{OLP} (ground bounce) < 1.0V at $V_{CC} = 5V, T_A = 25^\circ C$

CY74FCT162823T Features:

- Balanced output drivers: 24 mA
- Reduced system switching noise
- Typical V_{OLP} (ground bounce) < 0.6V at $V_{CC} = 5V, T_A = 25^\circ C$

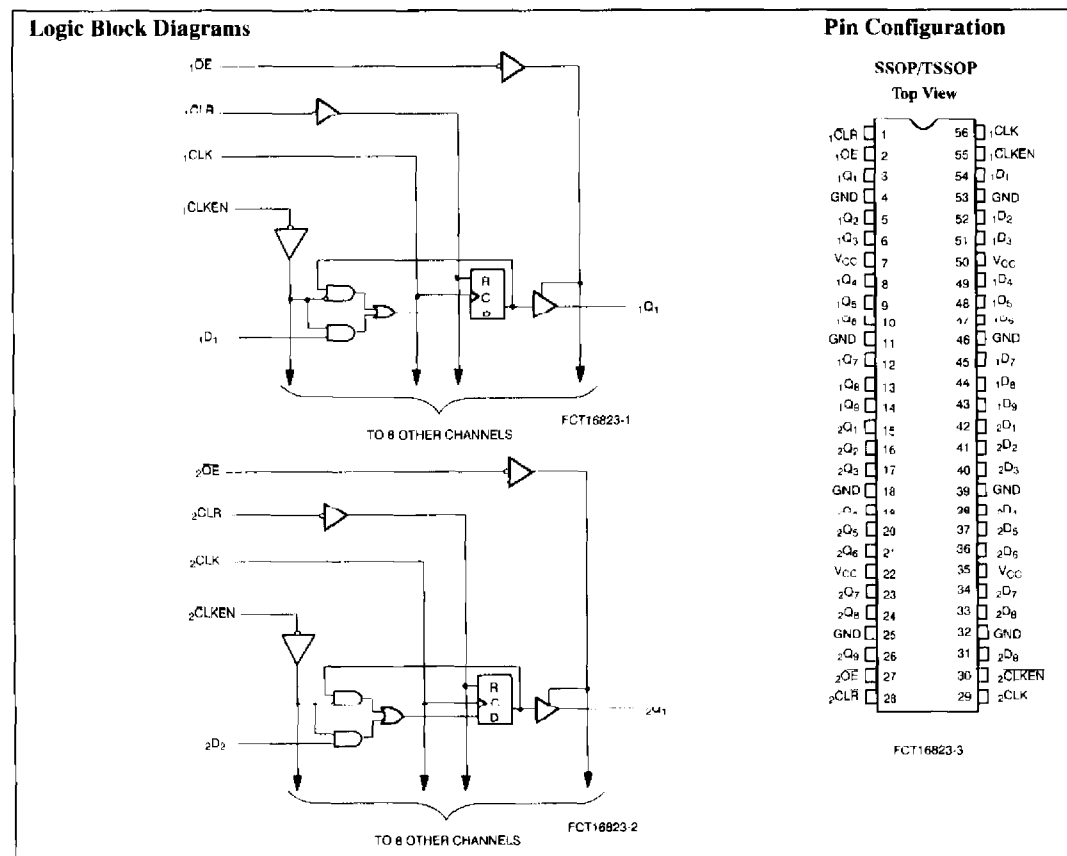
Functional Description

The CY74FCT16823T and the CY74FCT162823T 18-bit bus interface register are designed for use in high-speed, low-power systems needing wide

registers and parity. 18-bit operation is achieved by connecting the control lines of the two 9-bit registers. Flow-through pinout and small shrink packaging aids in simplifying board layout. The outputs are designed with a power-off disable feature to allow live insertion of boards.

The CY74FCT16823T is ideally suited for driving high-capacitance loads and low-impedance backplanes.

The CY74FCT162823T has 24-mA balanced output drivers with current limiting resistors in the outputs. This reduces the need for external terminating resistors and provides for minimal undershoot and reduced ground bounce. The CY74FCT162823T is ideal for driving transmission lines.





CY74FCT16823T
CY74FCT162823T

Pin Description

Name	Description
D	Data Inputs
CLK	Clock Inputs
CLKEN	Clock Enable Inputs (Active LOW)
CLR	Asynchronous Clear Inputs (Active LOW)
OE	Output Enable Inputs (Active LOW)
Q	Three-State Outputs

Maximum Ratings^[3,4]

(Above which the useful life may be impaired. For user guidelines, not tested)

Storage Temperature	Com'l	-55°C to +125°C
Ambient Temperature with Power Applied	Com'l	-55°C to +125°C
DC Input Voltage		-0.5V to +7.0V
DC Output Voltage		-0.5V to +7.0V
DC Output Current (Maximum Sink Current/Pin)		-60 to +120 mA

Notes:

- H = HIGH Voltage Level.
L = LOW Voltage Level.
X = Don't Care.
Z = HIGH Impedance.
┐ = LOW-to-HIGH transition.
- Output level before indicated steady-state input conditions were established.

Function Table^[1]

Inputs						Outputs
OE	CLR	CLKEN	CLK	D	Q	Function
H	X	X	X	X	Z	High Z
L	L	X	X	X	L	Clear
L	H	H	X	X	Q ^[2]	Hold
H	H	L	┐	L	Z	Load
H	H	L	┐	H	Z	
L	H	L	┐	L	L	
L	H	L	┐	H	H	

Power Dissipation	1.0W
Static Discharge Voltage (per MIL-STD-883, Method 3015)	>2001V

Operating Range

Range	Ambient Temperature	V _{CC}
Commercial	-40°C to +85°C	5V ± 10%

- Operation beyond the limits set forth may impair the useful life of the device. Unless otherwise noted, these limits are over the operating free-air temperature range.
- Unused inputs must always be connected to an appropriate logic voltage level, preferably either V_{CC} or ground.



Electrical Characteristics Over the Operating Range

Parameter	Description	Test Conditions	Min.	Typ. ^[8]	Max.	Unit
V _{IH}	Input HIGH Voltage		2.0			V
V _{IL}	Input LOW Voltage				0.8	V
V _{HI}	Input Hysteresis ^[5]			100		mV
V _{IK}	Input Clamp Diode Voltage	V _{CC} = Min., I _{IN} = -18 mA		-0.7	-1.2	V
I _{IH}	Input HIGH Current	V _{CC} = Max., V _I = V _{CC}			±1	μA
I _{IL}	Input LOW Current	V _{CC} = Max., V _I = GND			±1	μA
I _{OZH}	High Impedance Output Current (Three-State Output pins)	V _{CC} = Max., V _{OUT} = 2.7V			±1	μA
I _{OZI}	High Impedance Output Current (Three-State Output pins)	V _{CC} = Max., V _{OUT} = 0.5V			±1	μA
I _{OS}	Short Circuit Current ^[6]	V _{CC} = Max., V _{OUT} = GND	-80	-140	-200	mA
I _O	Output Drive Current ^[6]	V _{CC} = Max., V _{OUT} = 2.5V	-50		-180	mA
I _{OFF}	Power-Off Disable	V _{CC} = 0V, V _{OUT} ≤ 4.5V			1	μA

Output Drive Characteristics for CY74FCT16823T

Parameter	Description	Test Conditions	Min.	Typ. ^[8]	Max.	Unit
V _{O1H}	Output HIGH Voltage	V _{CC} = Min., I _{O1H} = -3 mA	2.5	3.5		V
		V _{CC} = Min., I _{O1H} = -15 mA	2.4	3.5		V
		V _{CC} = Min., I _{O1H} = -32 mA	2.0	3.0		V
V _{O1L}	Output LOW Voltage	V _{CC} = Min., I _{O1L} = 64 mA		0.2	0.55	V

Output Drive Characteristics for CY74FCT162823T

Parameter	Description	Test Conditions	Min.	Typ. ^[8]	Max.	Unit
I _{OSM}	Output LOW Voltage ^[6]	V _{CC} = 5V, V _{IN} = V _{IH} or V _{IL} , V _{OUT} = 1.5V	60	115	150	mA
I _{OSH}	Output HIGH Voltage ^[6]	V _{CC} = 5V, V _{IN} = V _{IH} or V _{IL} , V _{OUT} = 1.5V	-60	-115	-150	mA
V _{O1H}	Output HIGH Voltage	V _{CC} = Min., I _{O1H} = -24 mA	2.4	3.3		V
V _{O1L}	Output LOW Voltage	V _{CC} = Min., I _{O1L} = 24 mA		0.3	0.55	V

Capacitance^[7] (T_A = +25°C, f = 1.0 MHz)

Parameter	Description	Test Conditions	Typ. ^[8]	Max.	Unit
C _{IN}	Input Capacitance	V _{IN} = 0V	4.5	6.0	pF
C _{OUT}	Output Capacitance	V _{OUT} = 0V	5.5	8.0	pF

Notes:

- This input is guaranteed but not tested.
- Not more than one output should be shorted at a time. Duration of short should not exceed one second. The use of high-speed test apparatus and/or sample and hold techniques are preferable in order to minimize internal chip heating and more accurately reflect operational values. Otherwise prolonged shorting of a high output may raise the chip temperature well above normal and thereby cause invalid readings in other parametric tests. In any sequence of parameter tests, I_{OS} tests should be performed last.
- This parameter is guaranteed but not tested.
- Typical values are at V_{CC} = 5.0V, T_A = +25°C ambient.



CY74FCT16823T
CY74FCT162823T

Ordering Information CY74FCT16823

Speed (ns)	Ordering Code	Package Name	Package Type	Operating Range
6.0	CY74FCT16823CTPAC	Z56	56-Lead (240-Mil) TSSOP	Commercial
	CY74FCT16823CTPVC	O56	56-Lead (300-Mil) SSOP	
7.5	CY74FCT16823BTPAC	Z56	56-Lead (240-Mil) TSSOP	Commercial
	CY74FCT16823BTPVC	O56	56-Lead (300-Mil) SSOP	
10.0	CY74FCT16823ATPAC	Z56	56-Lead (240-Mil) TSSOP	Commercial
	CY74FCT16823ATPVC	O56	56-Lead (300-Mil) SSOP	

Ordering Information CY74FCT162823

Speed (ns)	Ordering Code	Package Name	Package Type	Operating Range
6.0	CY74FCT162823CTPAC	Z56	56-Lead (240-Mil) TSSOP	Commercial
	CY74FCT162823CTPVC	O56	56-Lead (300-Mil) SSOP	
7.5	CY74FCT162823ATPAC	Z56	56-Lead (240-Mil) TSSOP	Commercial
	CY74FCT162823ATPVC	O56	56-Lead (300-Mil) SSOP	
10.0	CY74FCT162823TPAC	Z56	56-Lead (240-Mil) TSSOP	Commercial
	CY74FCT162823TPVC	O56	56-Lead (300-Mil) SSOP	

Document #: 38-00385

3