



# 72-Mbit (2 M × 36) Pipelined Sync SRAM

## Features

- Supports bus operation up to 200 MHz
- Available speed grades are 200 and 167 MHz
- Registered inputs and outputs for pipelined operation
- 3.3 V core power supply
- 2.5 V/3.3 V I/O operation
- Fast clock-to-output times
  - 3.0 ns (for 200 MHz device)
- Provide high performance 3-1-1-1 access rate
- User selectable burst counter supporting Intel® Pentium® interleaved or linear burst sequences
- Separate processor and controller address strobes
- Synchronous self timed writes
- Asynchronous output enable
- Single cycle chip deselect
- CY7C1480V33 available in JEDEC-standard Pb-free 100-pin TQFP package
- IEEE 1149.1 JTAG-Compatible Boundary Scan
- “ZZ” Sleep Mode option

## Functional Description

The CY7C1480V33 SRAM integrates 2 M × 36 SRAM cells with advanced synchronous peripheral circuitry and a two-bit counter for internal burst operation. All synchronous inputs are gated by registers controlled by a positive-edge-triggered Clock Input (CLK). The synchronous inputs include all addresses, all data inputs, address-pipelining Chip Enable (CE<sub>1</sub>), depth-expansion Chip Enables (CE<sub>2</sub> and CE<sub>3</sub>), Burst Control inputs (ADSC, ADSP, and ADV), Write Enables (BW<sub>x</sub>, and BWE), and Global Write (GW). Asynchronous inputs include the Output Enable (OE) and the ZZ pin.

Addresses and chip enables are registered at the rising edge of the clock when either Address Strobe Processor (ADSP) or Address Strobe Controller (ADSC) are active. Subsequent burst addresses can be internally generated as controlled by the Advance pin (ADV).

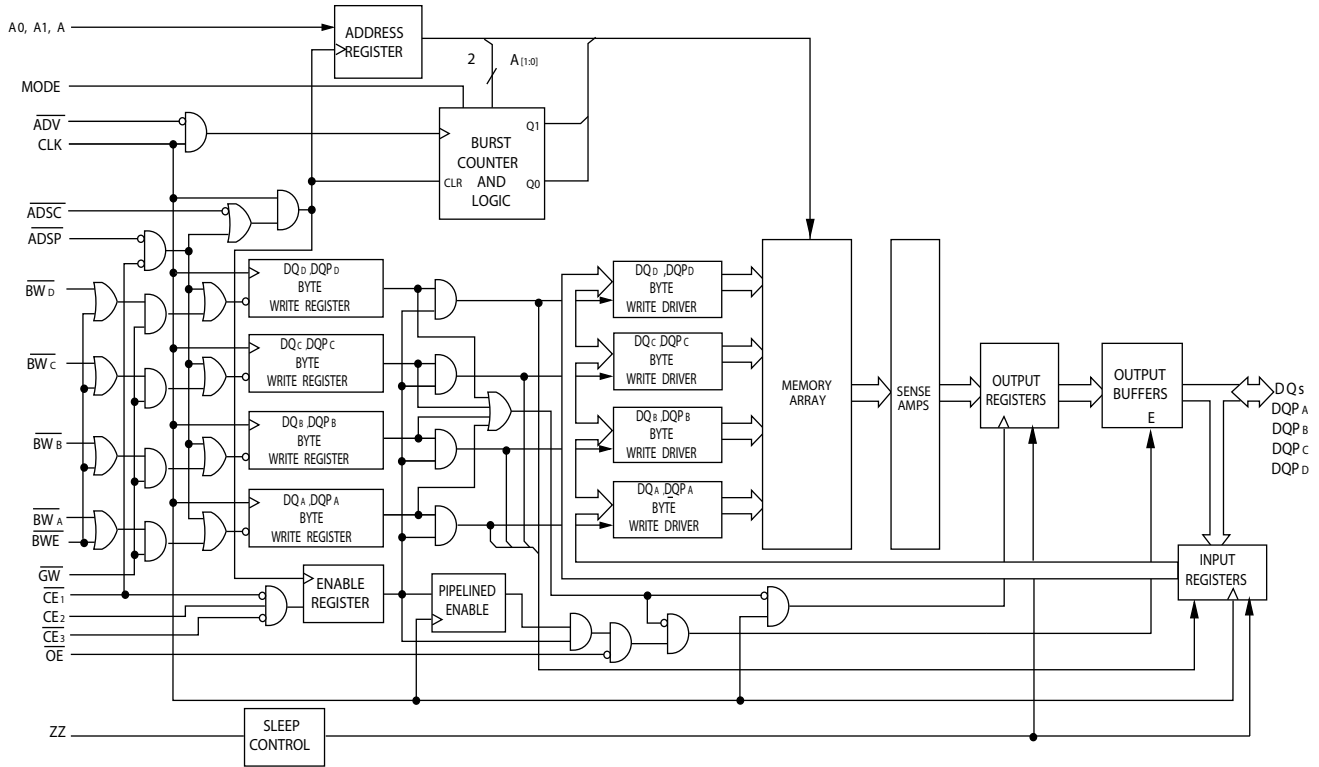
Address, data inputs, and write controls are registered on-chip to initiate a self timed write cycle. This part supports byte write operations (see [Pin Definitions on page 5](#) and [Truth Table on page 8](#) for further details). Write cycles can be one to two or four bytes wide as controlled by the byte write control inputs. GW when active LOW causes all bytes to be written.

The CY7C1480V33 operates from a +3.3 V core power supply while all outputs may operate with either a +2.5 or +3.3 V supply. All inputs and outputs are JEDEC standard JESD8-5 compatible.

## Selection Guide

Description	200 MHz	167 MHz	Unit
Maximum Access Time	3.0	3.4	ns
Maximum Operating Current	500	450	mA
Maximum CMOS Standby Current	120	120	mA

Logic Block Diagram – CY7C1480V33



**Contents**

<b>Pin Configurations</b> .....	<b>4</b>	<b>Capacitance</b> .....	<b>11</b>
<b>Pin Definitions</b> .....	<b>5</b>	<b>Thermal Resistance</b> .....	<b>11</b>
<b>Functional Overview</b> .....	<b>6</b>	<b>AC Test Loads and Waveforms</b> .....	<b>12</b>
Single Read Accesses .....	6	<b>Switching Characteristics</b> .....	<b>13</b>
Single Write Accesses Initiated by ADSP .....	6	<b>Switching Waveforms</b> .....	<b>14</b>
Single Write Accesses Initiated by ADSC .....	7	<b>Ordering Information</b> .....	<b>18</b>
Burst Sequences .....	7	Ordering Code Definitions .....	18
Sleep Mode .....	7	<b>Package Diagrams</b> .....	<b>19</b>
Interleaved Burst Address Table .....	7	<b>Acronyms</b> .....	<b>20</b>
Linear Burst Address Table .....	7	<b>Document Conventions</b> .....	<b>20</b>
<b>ZZ Mode Electrical Characteristics</b> .....	<b>7</b>	Units of Measure .....	20
<b>Truth Table</b> .....	<b>8</b>	<b>Document History Page</b> .....	<b>21</b>
<b>Truth Table for Read/Write</b> .....	<b>9</b>	<b>Sales, Solutions, and Legal Information</b> .....	<b>24</b>
<b>Maximum Ratings</b> .....	<b>10</b>	Worldwide Sales and Design Support .....	24
<b>Operating Range</b> .....	<b>10</b>	Products .....	24
<b>Electrical Characteristics</b> .....	<b>10</b>	PSoC Solutions .....	24



## Pin Definitions

Pin Name	I/O	Description
A <sub>0</sub> , A <sub>1</sub> , A	Input-Synchronous	<b>Address Inputs Used to Select One of the Address Locations.</b> Sampled at the rising edge of the CLK if ADSP or ADSC is active LOW, and CE <sub>1</sub> , CE <sub>2</sub> , and CE <sub>3</sub> are sampled active. A1:A0 are fed to the two-bit counter.
$\overline{BW_A}, \overline{BW_B}, \overline{BW_C}, \overline{BW_D}$	Input-Synchronous	<b>Byte Write Select Inputs, Active LOW.</b> Qualified with $\overline{BWE}$ to conduct byte writes to the SRAM. Sampled on the rising edge of CLK.
$\overline{GW}$	Input-Synchronous	<b>Global Write Enable Input, active LOW.</b> When asserted LOW on the rising edge of CLK, a global write is conducted (all bytes are written, regardless of the values on $\overline{BW_X}$ and BWE).
$\overline{BWE}$	Input-Synchronous	<b>Byte Write Enable Input, Active LOW.</b> Sampled on the rising edge of CLK. This signal must be asserted LOW to conduct a byte write.
CLK	Input-Clock	<b>Clock Input.</b> Used to capture all synchronous inputs to the device. Also used to increment the burst counter when ADV is asserted LOW during a burst operation.
$\overline{CE_1}$	Input-Synchronous	<b>Chip Enable 1 Input, Active LOW.</b> Sampled on the rising edge of CLK. Used in conjunction with CE <sub>2</sub> and CE <sub>3</sub> to select or deselect the device. ADSP is ignored if CE <sub>1</sub> is HIGH. $\overline{CE_1}$ is sampled only when a new external address is loaded.
CE <sub>2</sub>	Input-Synchronous	<b>Chip Enable 2 Input, Active HIGH.</b> Sampled on the rising edge of CLK. Used in conjunction with $\overline{CE_1}$ and CE <sub>3</sub> to select or deselect the device. CE <sub>2</sub> is sampled only when a new external address is loaded.
$\overline{CE_3}$	Input-Synchronous	<b>Chip Enable 3 Input, Active LOW.</b> Sampled on the rising edge of CLK. Used in conjunction with $\overline{CE_1}$ and CE <sub>2</sub> to select or deselect the device. CE <sub>3</sub> is sampled only when a new external address is loaded.
OE	Input-Asynchronous	<b>Output Enable, Asynchronous Input, Active LOW.</b> Controls the direction of the I/O pins. When LOW, the I/O pins behave as outputs. When deasserted HIGH, I/O pins are tri-stated, and act as input data pins. OE is masked during the first clock of a read cycle when emerging from a deselected state.
ADV	Input-Synchronous	<b>Advance Input Signal, Sampled on the Rising Edge of CLK, Active LOW.</b> When asserted, it automatically increments the address in a burst cycle.
ADSP	Input-Synchronous	<b>Address Strobe from Processor, Sampled on the Rising Edge of CLK, Active LOW.</b> When asserted LOW, addresses presented to the device are captured in the address registers. A1:A0 are also loaded into the burst counter. When ADSP and ADSC are both asserted, only ADSP is recognized. ADSP is ignored when CE <sub>1</sub> is deasserted HIGH.
ADSC	Input-Synchronous	<b>Address Strobe from Controller, Sampled on the Rising Edge of CLK, Active LOW.</b> When asserted LOW, addresses presented to the device are captured in the address registers. A1:A0 are also loaded into the burst counter. When ADSP and ADSC are both asserted, only ADSP is recognized.
ZZ	Input-Asynchronous	<b>ZZ “Sleep” Input, Active HIGH.</b> When asserted HIGH places the device in a non-time-critical “sleep” condition with data integrity preserved. For normal operation, this pin has to be LOW or left floating. ZZ pin has an internal pull-down.
DQs, DQPs	I/O-Synchronous	<b>Bidirectional Data I/O Lines.</b> As inputs, they feed into an on-chip data register that is triggered by the rising edge of CLK. As outputs, they deliver the data contained in the memory location specified by the addresses presented during the previous clock rise of the read cycle. The direction of the pins is controlled by OE. When OE is asserted LOW, the pins behave as outputs. When HIGH, DQs and DQP <sub>X</sub> are placed in a tri-state condition.
V <sub>DD</sub>	Power Supply	<b>Power supply inputs to the core of the device.</b>
V <sub>SS</sub>	Ground	<b>Ground for the core of the device.</b>
V <sub>SSQ</sub> <sup>[1]</sup>	I/O Ground	<b>Ground for the I/O circuitry.</b>
V <sub>DDQ</sub>	I/O Power Supply	<b>Power supply for the I/O circuitry.</b>

**Note**

1. Applicable for TQFP package.

**Pin Definitions** (continued)

Pin Name	I/O	Description
MODE	Input Static	<b>Selects Burst Order.</b> When tied to GND selects linear burst sequence. When tied to $V_{DD}$ or left floating selects interleaved burst sequence. This is a strap pin and must remain static during device operation. Mode Pin has an internal pull up.
TDO	JTAG Serial Output Synchronous	<b>Serial data-out to the JTAG circuit.</b> Delivers data on the negative edge of TCK. If the JTAG feature is not used, this pin must be disconnected. This pin is not available on TQFP packages.
TDI	JTAG Serial Input Synchronous	<b>Serial data-In to the JTAG circuit.</b> Sampled on the rising edge of TCK. If the JTAG feature is not used, this pin can be disconnected or connected to $V_{DD}$ . This pin is not available on TQFP packages.
TMS	JTAG Serial Input Synchronous	<b>Serial data-In to the JTAG circuit.</b> Sampled on the rising edge of TCK. If the JTAG feature is not used, this pin can be disconnected or connected to $V_{DD}$ . This pin is not available on TQFP packages.
TCK	JTAG Clock	<b>Clock input to the JTAG circuitry.</b> If the JTAG feature is not used, this pin must be connected to $V_{SS}$ . This pin is not available on TQFP packages.
NC	–	<b>No Connects.</b> Not internally connected to the die. 144M, 288M, 576M, and 1G are address expansion pins and are not internally connected to the die.

**Functional Overview**

All synchronous inputs pass through input registers controlled by the rising edge of the clock. All data outputs pass through output registers controlled by the rising edge of the clock. Maximum access delay from the clock rise ( $t_{CO}$ ) is 3.0 ns (200 MHz device).

The CY7C1480V33 supports secondary cache in systems using either a linear or interleaved burst sequence. The interleaved burst order supports Pentium and i486™ processors. The linear burst sequence is suited for processors that use a linear burst sequence. The burst order is user selectable, and is determined by sampling the MODE input. Accesses can be initiated with either the Processor Address Strobe (ADSP) or the Controller Address Strobe (ADSC). Address advancement through the burst sequence is controlled by the ADV input. A two-bit on-chip wraparound burst counter captures the first address in a burst sequence and automatically increments the address for the rest of the burst access.

Byte Write operations are qualified with the Byte Write Enable (BWE) and Byte Write Select ( $BW_X$ ) inputs. A Global Write Enable (GW) overrides all byte write inputs and writes data to all four bytes. All writes are simplified with on-chip synchronous self-timed write circuitry.

Three synchronous Chip Selects ( $\overline{CE}_1$ ,  $CE_2$ ,  $\overline{CE}_3$ ) and an asynchronous Output Enable ( $\overline{OE}$ ) provide easy bank selection and output tri-state control. ADSP is ignored if  $CE_1$  is HIGH.

**Single Read Accesses**

This access is initiated when the following conditions are satisfied at clock rise: (1) ADSP or ADSC is asserted LOW, (2)  $\overline{CE}_1$ ,  $CE_2$ ,  $\overline{CE}_3$  are all asserted active, and (3) the write signals (GW, BWE) are all deasserted HIGH. ADSP is ignored if  $CE_1$  is HIGH. The address presented to the address inputs (A) is stored into the address advancement logic and the Address Register while being presented to the memory array. The corresponding data is allowed to propagate to the input of the Output Registers. At the rising edge of the next clock the data is allowed to

propagate through the output register and onto the data bus within 3.0 ns (250-MHz device) if  $\overline{OE}$  is active LOW. The only exception occurs when the SRAM is emerging from a deselected state to a selected state, its outputs are always tri-stated during the first cycle of the access. After the first cycle of the access, the outputs are controlled by the  $\overline{OE}$  signal. Consecutive single read cycles are supported. After the SRAM is deselected at clock rise by the chip select and either ADSP or ADSC signals, its output tri-states immediately.

**Single Write Accesses Initiated by ADSP**

This access is initiated when both of the following conditions are satisfied at clock rise: (1) ADSP is asserted LOW, and (2)  $\overline{CE}_1$ ,  $CE_2$ ,  $\overline{CE}_3$  are all asserted active. The address presented to A is loaded into the address register and the address advancement logic while being delivered to the memory array. The write signals (GW, BWE, and  $BW_X$ ) and ADV inputs are ignored during this first cycle.

ADSP triggered write accesses require two clock cycles to complete. If GW is asserted LOW on the second clock rise, the data presented to the DQs inputs is written into the corresponding address location in the memory array. If GW is HIGH, then the write operation is controlled by BWE and  $BW_X$  signals.

The CY7C1480V33 provides byte write capability that is described in the [Truth Table for Read/Write on page 9](#). Asserting the Byte Write Enable input (BWE) with the selected Byte Write ( $BW_X$ ) input, will selectively write to only the desired bytes. Bytes not selected during a Byte Write operation will remain unaltered. A synchronous self-timed Write mechanism has been provided to simplify the Write operations.

Because CY7C1480V33 is a common I/O device, the Output Enable ( $\overline{OE}$ ) must be deasserted HIGH before presenting data to the DQs inputs. Doing so will tri-state the output drivers. As a safety precaution, DQs are automatically tri-stated whenever a Write cycle is detected, regardless of the state of  $\overline{OE}$ .

### Single Write Accesses Initiated by $\overline{\text{ADSC}}$

$\overline{\text{ADSC}}$  Write accesses are initiated when the following conditions are satisfied: (1)  $\overline{\text{ADSC}}$  is asserted LOW, (2)  $\overline{\text{ADSP}}$  is deasserted HIGH, (3)  $\overline{\text{CE}}_1$ ,  $\overline{\text{CE}}_2$ ,  $\overline{\text{CE}}_3$  are all asserted active, and (4) the appropriate combination of the Write inputs ( $\overline{\text{GW}}$ ,  $\overline{\text{BWE}}$ , and  $\overline{\text{BW}}_X$ ) are asserted active to conduct a Write to the desired byte(s).  $\overline{\text{ADSC}}$ -triggered Write accesses require a single clock cycle to complete. The address presented to A is loaded into the address register and the address advancement logic while being delivered to the memory array. The  $\overline{\text{ADV}}$  input is ignored during this cycle. If a global Write is conducted, the data presented to the DQs is written into the corresponding address location in the memory core. If a Byte Write is conducted, only the selected bytes are written. Bytes not selected during a Byte Write operation will remain unaltered. A synchronous self-timed Write mechanism has been provided to simplify the Write operations.

Because CY7C1480V33 is a common I/O device, the Output Enable ( $\overline{\text{OE}}$ ) must be deasserted HIGH before presenting data to the DQs inputs. Doing so will tri-state the output drivers. As a safety precaution, DQs are automatically tri-stated whenever a Write cycle is detected, regardless of the state of  $\overline{\text{OE}}$ .

### Burst Sequences

The CY7C1480V33 provides a two-bit wraparound counter, fed by A1:A0, that implements either an interleaved or linear burst sequence. The interleaved burst sequence is designed specifically to support Intel Pentium applications. The linear burst sequence is designed to support processors that follow a linear burst sequence. The burst sequence is user selectable through the MODE input.

Asserting  $\overline{\text{ADV}}$  LOW at clock rise will automatically increment the burst counter to the next address in the burst sequence. Both Read and Write burst operations are supported.

### Sleep Mode

The ZZ input pin is an asynchronous input. Asserting ZZ places the SRAM in a power conservation “sleep” mode. Two clock cycles are required to enter into or exit from this “sleep” mode. While in this mode, data integrity is guaranteed. Accesses pending when entering the “sleep” mode are not considered valid nor is the completion of the operation guaranteed. The device must be deselected before entering the “sleep” mode.  $\overline{\text{CE}}_1$ ,  $\overline{\text{CE}}_2$ ,  $\overline{\text{CE}}_3$ ,  $\overline{\text{ADSP}}$ , and  $\overline{\text{ADSC}}$  must remain inactive for the duration of  $t_{\text{ZZREC}}$  after the ZZ input returns LOW.

### Interleaved Burst Address Table

(MODE = Floating or  $V_{\text{DD}}$ )

First Address A1:A0	Second Address A1:A0	Third Address A1:A0	Fourth Address A1:A0
00	01	10	11
01	00	11	10
10	11	00	01
11	10	01	00

### Linear Burst Address Table

(MODE = GND)

First Address A1:A0	Second Address A1:A0	Third Address A1:A0	Fourth Address A1:A0
00	01	10	11
01	10	11	00
10	11	00	01
11	00	01	10

## ZZ Mode Electrical Characteristics

Parameter	Description	Test Conditions	Min	Max	Unit
$I_{\text{DDZZ}}$	Sleep mode standby current	$\text{ZZ} \geq V_{\text{DD}} - 0.2 \text{ V}$	–	120	mA
$t_{\text{ZZS}}$	Device operation to ZZ	$\text{ZZ} \geq V_{\text{DD}} - 0.2 \text{ V}$	–	$2t_{\text{CYC}}$	ns
$t_{\text{ZZREC}}$	ZZ recovery time	$\text{ZZ} \leq 0.2 \text{ V}$	$2t_{\text{CYC}}$	–	ns
$t_{\text{ZZI}}$	ZZ Active to Sleep current	This parameter is sampled	–	$2t_{\text{CYC}}$	ns
$t_{\text{RZZI}}$	ZZ Inactive to exit Sleep current	This parameter is sampled	0	–	ns

## Truth Table

The Truth Table for CY7C1480V33 follows. [2, 3, 4, 5, 6]

Operation	Add. Used	$\overline{CE}_1$	$CE_2$	$\overline{CE}_3$	ZZ	$\overline{ADSP}$	$\overline{ADSC}$	$\overline{ADV}$	$\overline{WRITE}$	$\overline{OE}$	CLK	DQ
Deselect Cycle, Power Down	None	H	X	X	L	X	L	X	X	X	L-H	Tri-State
Deselect Cycle, Power Down	None	L	L	X	L	L	X	X	X	X	L-H	Tri-State
Deselect Cycle, Power Down	None	L	X	H	L	L	X	X	X	X	L-H	Tri-State
Deselect Cycle, Power Down	None	L	L	X	L	H	L	X	X	X	L-H	Tri-State
Deselect Cycle, Power Down	None	L	X	H	L	H	L	X	X	X	L-H	Tri-State
Sleep Mode, Power Down	None	X	X	X	H	X	X	X	X	X	X	Tri-State
READ Cycle, Begin Burst	External	L	H	L	L	L	X	X	X	L	L-H	Q
READ Cycle, Begin Burst	External	L	H	L	L	L	X	X	X	H	L-H	Tri-State
WRITE Cycle, Begin Burst	External	L	H	L	L	H	L	X	L	X	L-H	D
READ Cycle, Begin Burst	External	L	H	L	L	H	L	X	H	L	L-H	Q
READ Cycle, Begin Burst	External	L	H	L	L	H	L	X	H	H	L-H	Tri-State
READ Cycle, Continue Burst	Next	X	X	X	L	H	H	L	H	L	L-H	Q
READ Cycle, Continue Burst	Next	X	X	X	L	H	H	L	H	H	L-H	Tri-State
READ Cycle, Continue Burst	Next	H	X	X	L	X	H	L	H	L	L-H	Q
READ Cycle, Continue Burst	Next	H	X	X	L	X	H	L	H	H	L-H	Tri-State
WRITE Cycle, Continue Burst	Next	X	X	X	L	H	H	L	L	X	L-H	D
WRITE Cycle, Continue Burst	Next	H	X	X	L	X	H	L	L	X	L-H	D
READ Cycle, Suspend Burst	Current	X	X	X	L	H	H	H	H	L	L-H	Q
READ Cycle, Suspend Burst	Current	X	X	X	L	H	H	H	H	H	L-H	Tri-State
READ Cycle, Suspend Burst	Current	H	X	X	L	X	H	H	H	L	L-H	Q
READ Cycle, Suspend Burst	Current	H	X	X	L	X	H	H	H	H	L-H	Tri-State
WRITE Cycle, Suspend Burst	Current	X	X	X	L	H	H	H	L	X	L-H	D
WRITE Cycle, Suspend Burst	Current	H	X	X	L	X	H	H	L	X	L-H	D

### Notes

- X = "Don't Care." H = Logic HIGH, L = Logic LOW.
- $\overline{WRITE} = L$  when any one or more Byte Write enable signals and  $\overline{BWE} = L$  or  $\overline{GW} = L$ .  $\overline{WRITE} = H$  when all Byte write enable signals,  $\overline{BWE}, \overline{GW} = H$ .
- The DQ pins are controlled by the current cycle and the  $\overline{OE}$  signal.  $\overline{OE}$  is asynchronous and is not sampled with the clock.
- The SRAM always initiates a read cycle when  $\overline{ADSP}$  is asserted, regardless of the state of  $\overline{GW}, \overline{BWE},$  or  $\overline{BW}_x$ . Writes may occur only on subsequent clocks after the  $\overline{ADSP}$  or with the assertion of  $\overline{ADSC}$ . As a result,  $\overline{OE}$  must be driven HIGH before the start of the write cycle to allow the outputs to tri-state.  $\overline{OE}$  is a "don't care" for the remainder of the write cycle.
- $\overline{OE}$  is asynchronous and is not sampled with the clock rise. It is masked internally during write cycles. During a read cycle all data bits are Tri-State when  $\overline{OE}$  is inactive or when the device is deselected, and all data bits behave as output when  $\overline{OE}$  is active (LOW).



### Truth Table for Read/Write

The following is a Truth Table for Read/Write for the CY7C1480V33. <sup>[7]</sup>

Function	$\overline{GW}$	$\overline{BWE}$	$\overline{BW_D}$	$\overline{BW_C}$	$\overline{BW_B}$	$\overline{BW_A}$
Read	H	H	X	X	X	X
Read	H	L	H	H	H	H
Write Byte A – (DQ <sub>A</sub> and DQP <sub>A</sub> )	H	L	H	H	H	L
Write Byte B – (DQ <sub>B</sub> and DQP <sub>B</sub> )	H	L	H	H	L	H
Write Bytes B, A	H	L	H	H	L	L
Write Byte C – (DQ <sub>C</sub> and DQP <sub>C</sub> )	H	L	H	L	H	H
Write Bytes C, A	H	L	H	L	H	L
Write Bytes C, B	H	L	H	L	L	H
Write Bytes C, B, A	H	L	H	L	L	L
Write Byte D – (DQ <sub>D</sub> and DQP <sub>D</sub> )	H	L	L	H	H	H
Write Bytes D, A	H	L	L	H	H	L
Write Bytes D, B	H	L	L	H	L	H
Write Bytes D, B, A	H	L	L	H	L	L
Write Bytes D, C	H	L	L	L	H	H
Write Bytes D, C, A	H	L	L	L	H	L
Write Bytes D, C, B	H	L	L	L	L	H
Write All Bytes	H	L	L	L	L	L
Write All Bytes	L	X	X	X	X	X

**Note**

7. The DQ pins are controlled by the current cycle and the  $\overline{OE}$  signal.  $\overline{OE}$  is asynchronous and is not sampled with the clock.

## Maximum Ratings

Exceeding the maximum ratings may impair the useful life of the device. These user guidelines are not tested.

Storage Temperature .....	-65 °C to +150 °C
Ambient Temperature with Power Applied .....	-55 °C to +125 °C
Supply Voltage on V <sub>DD</sub> Relative to GND .....	-0.3 V to +4.6 V
Supply Voltage on V <sub>DDQ</sub> Relative to GND .....	-0.3 V to +V <sub>DD</sub>
DC Voltage Applied to Outputs in Tri-State .....	-0.5 V to V <sub>DDQ</sub> + 0.5 V

DC Input Voltage .....	-0.5 V to V <sub>DD</sub> + 0.5 V
Current into Outputs (LOW) .....	20 mA
Static Discharge Voltage (MIL-STD-883, Method 3015) .....	> 2001 V
Latch-up Current .....	> 200 mA

## Operating Range

Range	Ambient Temperature	V <sub>DD</sub>	V <sub>DDQ</sub>
Commercial	0 °C to +70 °C	3.3 V - 5% / + 10%	2.5 V - 5% to V <sub>DD</sub>

## Electrical Characteristics

Over the Operating Range

Parameter <sup>[8, 9]</sup>	Description	Test Conditions	Min	Max	Unit	
V <sub>DD</sub>	Power Supply Voltage		3.135	3.6	V	
V <sub>DDQ</sub>	I/O Supply Voltage	For 3.3 V I/O	3.135	V <sub>DD</sub>	V	
		For 2.5 V I/O	2.375	2.625	V	
V <sub>OH</sub>	Output HIGH Voltage	For 3.3 V I/O, I <sub>OH</sub> = -4.0 mA	2.4	-	V	
		For 2.5 V I/O, I <sub>OH</sub> = -1.0 mA	2.0	-	V	
V <sub>OL</sub>	Output LOW Voltage	For 3.3 V I/O, I <sub>OL</sub> = 8.0 mA	-	0.4	V	
		For 2.5 V I/O, I <sub>OL</sub> = 1.0 mA	-	0.4	V	
V <sub>IH</sub>	Input HIGH Voltage <sup>[8]</sup>	For 3.3 V I/O	2.0	V <sub>DD</sub> + 0.3 V	V	
		For 2.5 V I/O	1.7	V <sub>DD</sub> + 0.3 V	V	
V <sub>IL</sub>	Input LOW Voltage <sup>[8]</sup>	For 3.3 V I/O	-0.3	0.8	V	
		For 2.5 V I/O	-0.3	0.7	V	
I <sub>X</sub>	Input Leakage Current except ZZ and MODE	GND ≤ V <sub>I</sub> ≤ V <sub>DDQ</sub>	-5	5	μA	
	Input Current of MODE	Input = V <sub>SS</sub>	-30	-	μA	
		Input = V <sub>DD</sub>	-	5	μA	
	Input Current of ZZ	Input = V <sub>SS</sub>	-5	-	μA	
Input = V <sub>DD</sub>		-	30	μA		
I <sub>OZ</sub>	Output Leakage Current	GND ≤ V <sub>I</sub> ≤ V <sub>DDQ</sub> , Output Disabled	-5	5	μA	
I <sub>DD</sub>	V <sub>DD</sub> Operating Supply Current	V <sub>DD</sub> = Max, I <sub>OUT</sub> = 0 mA, f = f <sub>MAX</sub> = 1/t <sub>CYC</sub>	5.0-ns cycle, 200 MHz	-	500	mA
			6.0-ns cycle, 167 MHz	-	450	mA
I <sub>SB1</sub>	Automatic CE Power Down Current – TTL Inputs	V <sub>DD</sub> = Max, Device Deselected, V <sub>IN</sub> ≥ V <sub>IH</sub> or V <sub>IN</sub> ≤ V <sub>IL</sub> , f = f <sub>MAX</sub> = 1/t <sub>CYC</sub>	5.0-ns cycle, 200 MHz	-	245	mA
			6.0-ns cycle, 167 MHz	-	245	mA
I <sub>SB2</sub>	Automatic CE Power Down Current – CMOS Inputs	V <sub>DD</sub> = Max, Device Deselected, V <sub>IN</sub> ≤ 0.3 V or V <sub>IN</sub> ≥ V <sub>DDQ</sub> - 0.3 V, f = 0	All speeds	-	120	mA

### Notes

- Overshoot: V<sub>IH(AC)</sub> < V<sub>DD</sub> + 1.5 V (Pulse width less than t<sub>CYC</sub>/2). Undershoot: V<sub>IL(AC)</sub> > -2V (Pulse width less than t<sub>CYC</sub>/2).
- Power up: Assumes a linear ramp from 0 V to V<sub>DD(min.)</sub> within 200 ms. During this time V<sub>IH</sub> < V<sub>DD</sub> and V<sub>DDQ</sub> ≤ V<sub>DD</sub>.

**Electrical Characteristics** (continued)

Over the Operating Range

Parameter <sup>[8, 9]</sup>	Description	Test Conditions	Min	Max	Unit	
I <sub>SB3</sub>	Automatic CE Power Down Current – CMOS Inputs	V <sub>DD</sub> = Max, Device Deselected, V <sub>IN</sub> ≤ 0.3 V or V <sub>IN</sub> ≥ V <sub>DDQ</sub> – 0.3 V, f = f <sub>MAX</sub> = 1/t <sub>CYC</sub>	5.0-ns cycle, 200 MHz	–	245	mA
			6.0-ns cycle, 167 MHz	–	245	mA
I <sub>SB4</sub>	Automatic CE Power Down Current – TTL Inputs	V <sub>DD</sub> = Max, Device Deselected, V <sub>IN</sub> ≥ V <sub>IH</sub> or V <sub>IN</sub> ≤ V <sub>IL</sub> , f = 0	–	135	mA	

**Capacitance**

Parameter <sup>[10]</sup>	Description	Test Conditions	100-pin TQFP Max	Unit
C <sub>ADDRESS</sub>	Address input capacitance	T <sub>A</sub> = 25 °C, f = 1 MHz, V <sub>DD</sub> = 3.3 V, V <sub>DDQ</sub> = 2.5 V	6	pF
C <sub>DATA</sub>	Data input capacitance		5	pF
C <sub>CTRL</sub>	Control input capacitance		8	pF
C <sub>CLK</sub>	Clock input capacitance		6	pF
C <sub>I/O</sub>	Input/Output capacitance		5	pF

**Thermal Resistance**

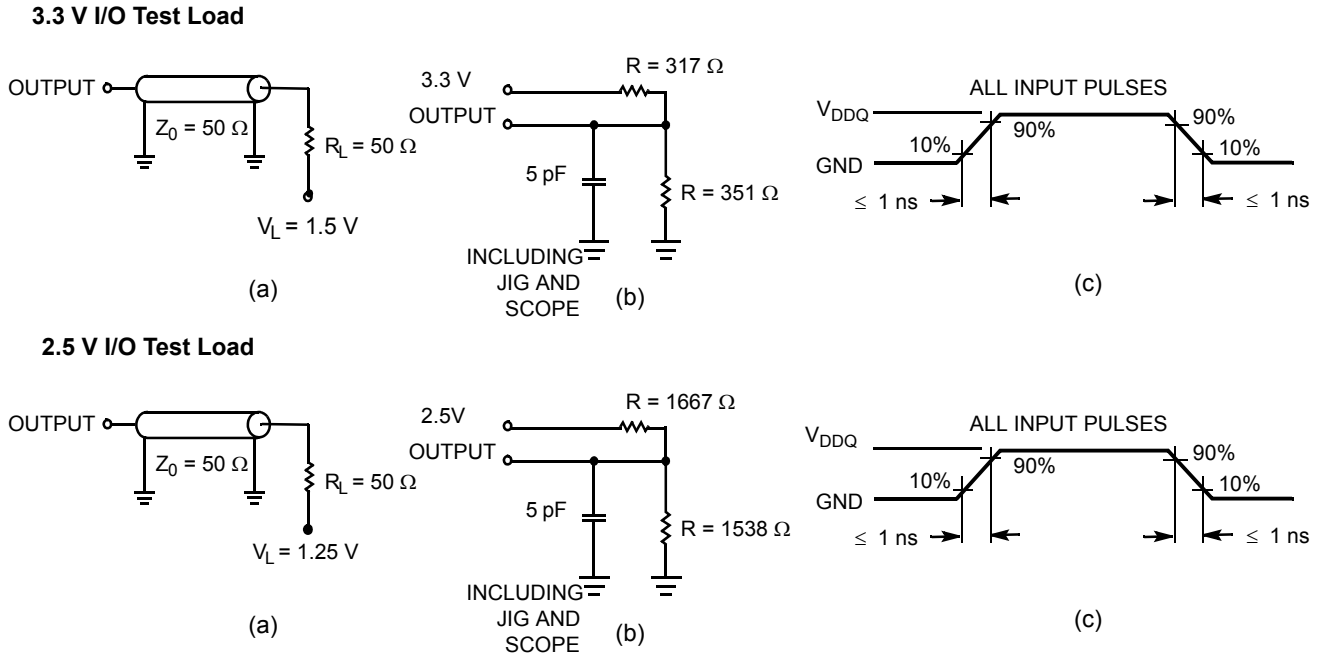
Parameter <sup>[10]</sup>	Description	Test Conditions	100-pin TQFP Package	Unit
Θ <sub>JA</sub>	Thermal resistance (junction to ambient)	Test conditions follow standard test methods and procedures for measuring thermal impedance, according to EIA/JESD51.	24.63	°C/W
Θ <sub>JC</sub>	Thermal resistance (junction to case)		2.28	°C/W

**Note**

10. Tested initially and after any design or process change that may affect these parameters.

AC Test Loads and Waveforms

Figure 2. AC Test Loads and Waveforms



## Switching Characteristics

Over the Operating Range

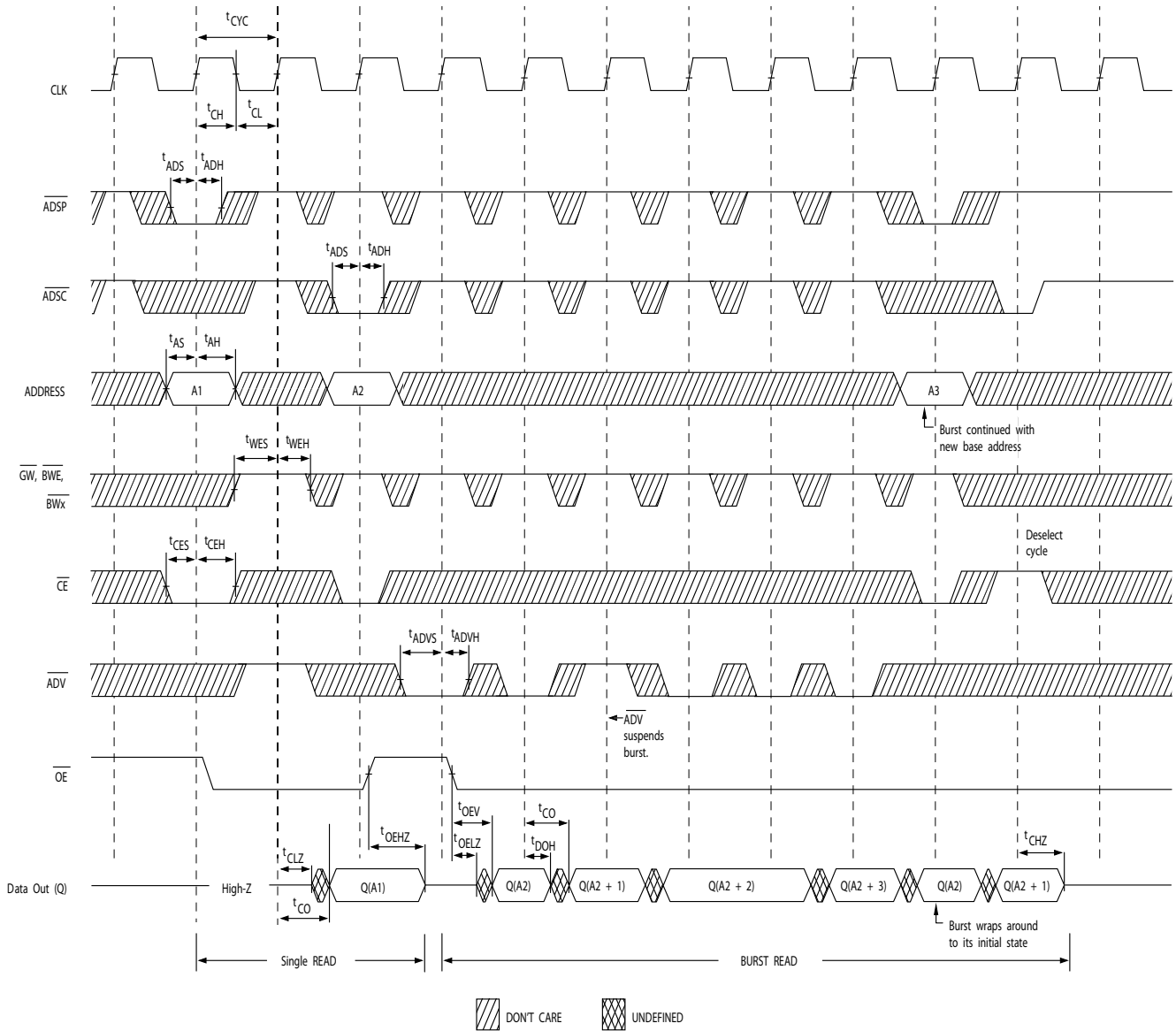
Parameter [11, 12]	Description	200 MHz		167 MHz		Unit
		Min	Max	Min	Max	
$t_{POWER}$	$V_{DD}$ (Typical) to the First Access [13]	1	–	1	–	ms
<b>Clock</b>						
$t_{CYC}$	Clock Cycle Time	5.0	–	6.0	–	ns
$t_{CH}$	Clock HIGH	2.0	–	2.4	–	ns
$t_{CL}$	Clock LOW	2.0	–	2.4	–	ns
<b>Output Times</b>						
$t_{CO}$	Data Output Valid After CLK Rise	–	3.0	–	3.4	ns
$t_{DOH}$	Data Output Hold After CLK Rise	1.3	–	1.5	–	ns
$t_{CLZ}$	Clock to Low Z [14, 15, 16]	1.3	–	1.5	–	ns
$t_{CHZ}$	Clock to High Z [14, 15, 16]	–	3.0	–	3.4	ns
$t_{OEV}$	$\overline{OE}$ LOW to Output Valid	–	3.0	–	3.4	ns
$t_{OELZ}$	$\overline{OE}$ LOW to Output Low Z [14, 15, 16]	0	–	0	–	ns
$t_{OEHZ}$	$\overline{OE}$ HIGH to Output High Z [14, 15, 16]	–	3.0	–	3.4	ns
<b>Setup Times</b>						
$t_{AS}$	Address Setup Before CLK Rise	1.4	–	1.5	–	ns
$t_{ADS}$	$\overline{ADSC}$ , $\overline{ADSP}$ Setup Before CLK Rise	1.4	–	1.5	–	ns
$t_{ADVS}$	$\overline{ADV}$ Setup Before CLK Rise	1.4	–	1.5	–	ns
$t_{WES}$	$\overline{GW}$ , $\overline{BWE}$ , $\overline{BW}_X$ Setup Before CLK Rise	1.4	–	1.5	–	ns
$t_{DS}$	Data Input Setup Before CLK Rise	1.4	–	1.5	–	ns
$t_{CES}$	Chip Enable Setup Before CLK Rise	1.4	–	1.5	–	ns
<b>Hold Times</b>						
$t_{AH}$	Address Hold After CLK Rise	0.4	–	0.5	–	ns
$t_{ADH}$	$\overline{ADSP}$ , $\overline{ADSC}$ Hold After CLK Rise	0.4	–	0.5	–	ns
$t_{ADVH}$	$\overline{ADV}$ Hold After CLK Rise	0.4	–	0.5	–	ns
$t_{WEH}$	$\overline{GW}$ , $\overline{BWE}$ , $\overline{BW}_X$ Hold After CLK Rise	0.4	–	0.5	–	ns
$t_{DH}$	Data Input Hold After CLK Rise	0.4	–	0.5	–	ns
$t_{CEH}$	Chip Enable Hold After CLK Rise	0.4	–	0.5	–	ns

### Notes

11. Timing reference level is 1.5 V when  $V_{DDQ} = 3.3$  V and is 1.25 V when  $V_{DDQ} = 2.5$  V.
12. Test conditions shown in (a) of [Figure 2 on page 12](#) unless otherwise noted.
13. This part has an internal voltage regulator;  $t_{POWER}$  is the time that the power needs to be supplied above  $V_{DD}(\text{minimum})$  initially before a read or write operation can be initiated.
14.  $t_{CHZ}$ ,  $t_{CLZ}$ ,  $t_{OELZ}$ , and  $t_{OEHZ}$  are specified with AC test conditions shown in part (b) of [Figure 2 on page 12](#). Transition is measured  $\pm 200$  mV from steady-state voltage.
15. At any possible voltage and temperature,  $t_{OEHZ}$  is less than  $t_{OELZ}$  and  $t_{CHZ}$  is less than  $t_{CLZ}$  to eliminate bus contention between SRAMs when sharing the same data bus. These specifications do not imply a bus contention condition, but reflect parameters guaranteed over worst case user conditions. Device is designed to achieve High-Z before Low-Z under the same system conditions.
16. This parameter is sampled and not 100% tested.

### Switching Waveforms

Figure 3. Read Cycle Timing [17]

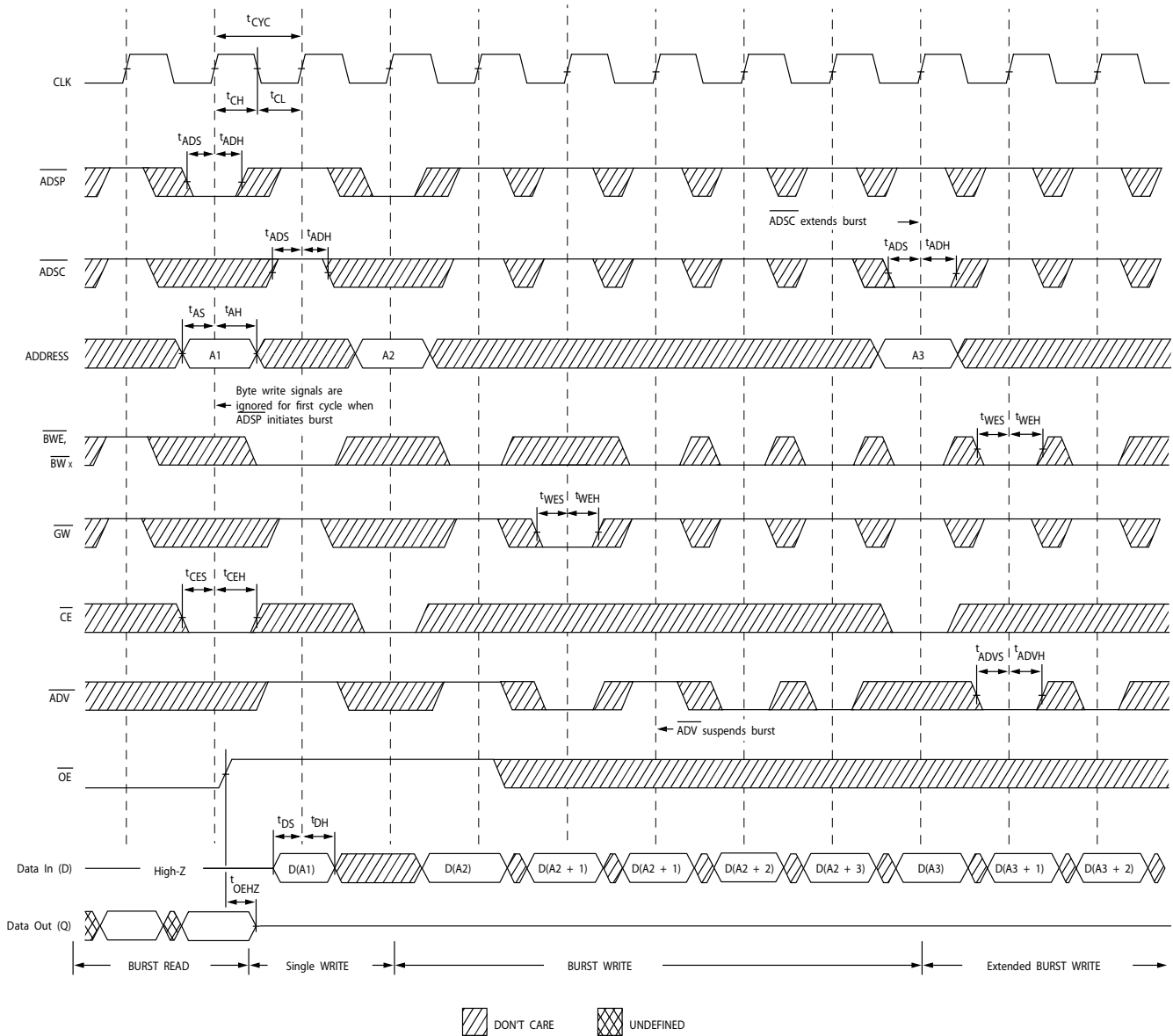


**Note**

17. On this diagram, when  $\overline{CE}$  is LOW:  $\overline{CE}_1$  is LOW,  $CE_2$  is HIGH and  $\overline{CE}_3$  is LOW. When  $\overline{CE}$  is HIGH:  $\overline{CE}_1$  is HIGH,  $CE_2$  is LOW, or  $\overline{CE}_3$  is HIGH.

Switching Waveforms (continued)

Figure 4. Write Cycle Timing [18, 19]

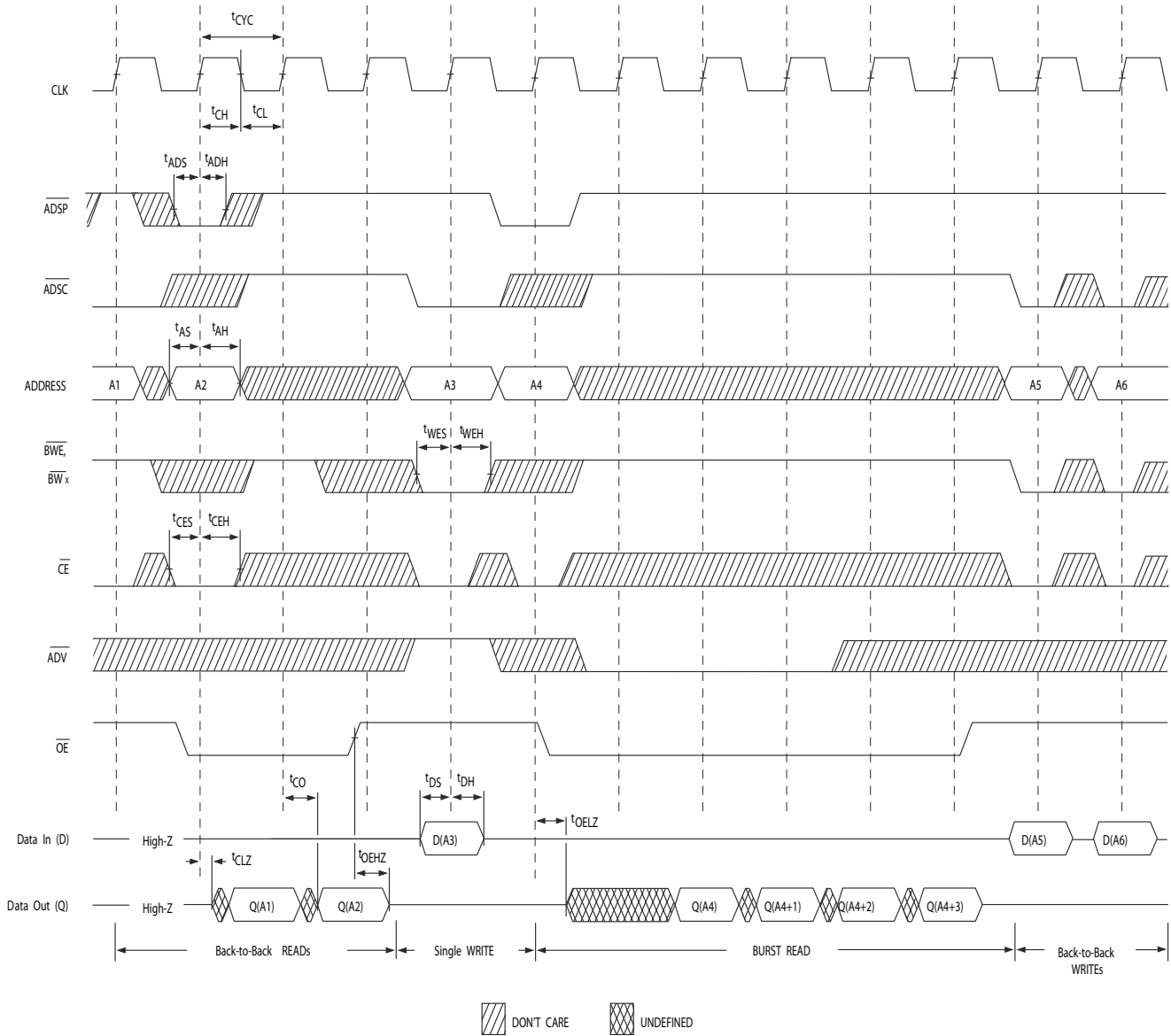


Notes

- 18. On this diagram, when  $\overline{CE}$  is LOW:  $\overline{CE}_1$  is LOW,  $CE_2$  is HIGH and  $\overline{CE}_3$  is LOW. When  $\overline{CE}$  is HIGH:  $\overline{CE}_1$  is HIGH,  $CE_2$  is LOW, or  $\overline{CE}_3$  is HIGH.
- 19. Full width write can be initiated by either  $\overline{GW}$  LOW; or by  $\overline{GW}$  HIGH,  $\overline{BWE}$  LOW, and  $\overline{BW}_x$  LOW.

Switching Waveforms (continued)

Figure 5. Read/Write Cycle Timing [20, 21, 22]



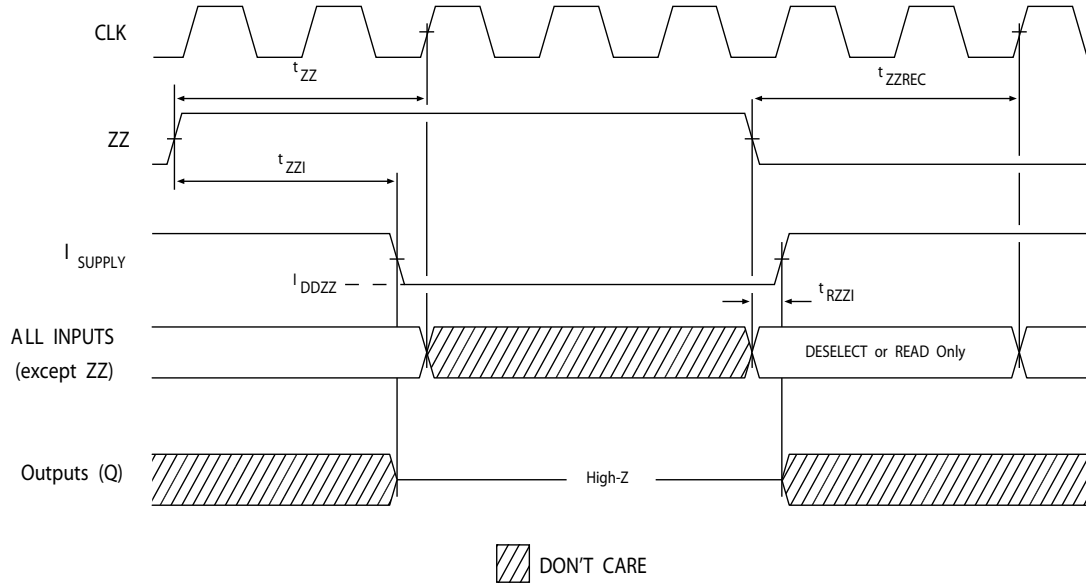
Notes

- 20. On this diagram, when  $\overline{CE}$  is LOW:  $\overline{CE}_1$  is LOW,  $\overline{CE}_2$  is HIGH and  $\overline{CE}_3$  is LOW. When  $\overline{CE}$  is HIGH:  $\overline{CE}_1$  is HIGH,  $\overline{CE}_2$  is LOW, or  $\overline{CE}_3$  is HIGH.
- 21. The data bus (Q) remains in high Z following a write cycle, unless a new read access is initiated by ADSP or ADSC.
- 22.  $\overline{GW}$  is HIGH.



Switching Waveforms (continued)

Figure 6. ZZ Mode Timing [23, 24]



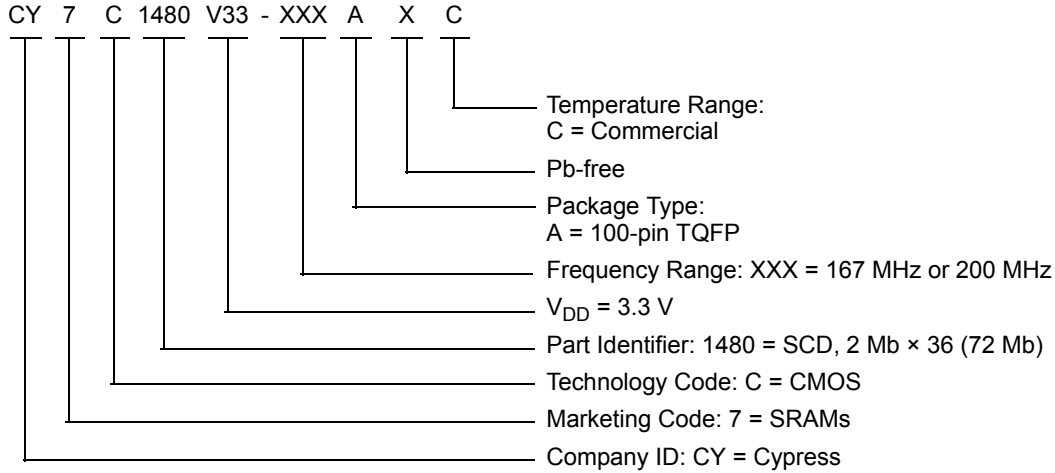
Notes

- 23. Device must be deselected when entering ZZ mode. See Truth Table on page 8 for all possible signal conditions to deselect the device.
- 24. DQs are in high Z when exiting ZZ sleep mode.

**Ordering Information**

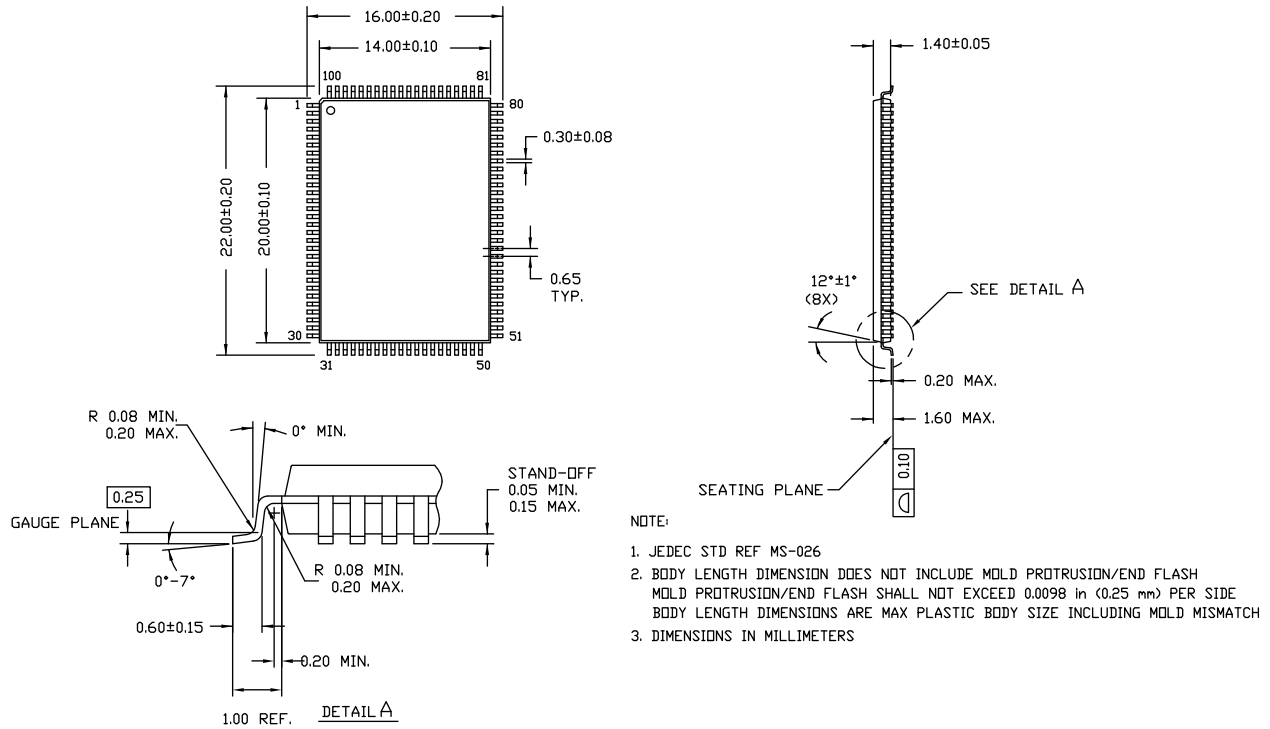
Speed (MHz)	Ordering Code	Package Diagram	Part and Package Type	Operating Range
167	CY7C1480V33-167AXC	51-85050	100-pin TQFP (14 × 20 × 1.4 mm) Pb-free	Commercial
200	CY7C1480V33-200AXC	51-85050	100-pin TQFP (14 × 20 × 1.4 mm) Pb-free	Commercial

**Ordering Code Definitions**



Package Diagrams

Figure 7. 100-pin TQFP (14 × 20 × 1.4 mm) A100RA Package Outline, 51-85050



51-85050 \*D

### Acronyms

Acronym	Description
BGA	ball grid array
CMOS	complementary metal oxide semiconductor
FBGA	fine-pitch ball grid array
I/O	input/output
JTAG	Joint Test Action Group
LSB	least significant bit
MSB	most significant bit
$\overline{OE}$	output enable
SRAM	static random access memory
TAP	test access port
TCK	test clock
TDI	test data-in
TDO	test data-out
TMS	test mode select
TQFP	thin quad flat pack
TTL	transistor transistor logic
$\overline{WE}$	write enable

### Document Conventions

#### Units of Measure

Symbol	Unit of Measure
°C	degree Celcius
μA	micro Amperes
mA	milli Amperes
mm	milli meter
ms	milli seconds
MHz	Mega Hertz
ns	nano seconds
Ω	Ohms
%	percent
pF	pico Farad
V	Volts
W	Watts

**Document History Page**

Document Title: CY7C1480V33, 72-Mbit (2 M × 36) Pipelined Sync SRAM Document Number: 38-05283				
Rev.	ECN No.	Submission Date	Orig. of Change	Description of Change
**	114670	08/06/02	PKS	New data sheet.
*A	118281	01/21/03	HGK	<p>Changed status from Advanced Information to Preliminary.</p> <p>Updated <a href="#">Features</a> (Removed 300 MHz frequency related information, updated package offering).</p> <p>Updated <a href="#">Selection Guide</a> (Removed 300 MHz frequency related information).</p> <p>Updated <a href="#">Electrical Characteristics</a> (Removed 300 MHz frequency related information).</p> <p>Updated <a href="#">Switching Characteristics</a> (Removed 300 MHz frequency related information, changed maximum value of <math>t_{CO}</math> parameter from 2.4 ns to 2.6 ns for 250 MHz).</p> <p>Updated <a href="#">Ordering Information</a> (Updated part numbers).</p>
*B	233368	See ECN	NJY	<p>Updated <a href="#">Features</a> (Removed 250 MHz frequency related information and included 225 MHz frequency related information).</p> <p>Updated <a href="#">Functional Description</a>.</p> <p>Updated Logic Block Diagrams (Corresponding to CY7C1480V33, CY7C1482V33, CY7C1486V33).</p> <p>Updated <a href="#">Selection Guide</a> (Removed 250 MHz frequency related information and included 225 MHz frequency related information).</p> <p>Updated <a href="#">Functional Overview</a>.</p> <p>Added Boundary Scan Exit Order (For all packages (Corresponding to CY7C1480V33, CY7C1482V33, CY7C1486V33)).</p> <p>Updated <a href="#">Electrical Characteristics</a> (Removed 250 MHz frequency related information and included 225 MHz frequency related information, replaced the TBD's with their respective values for <math>I_{DD}</math>, <math>I_{SB1}</math>, <math>I_{SB2}</math>, <math>I_{SB3}</math> and <math>I_{SB4}</math> parameters).</p> <p>Updated <a href="#">Capacitance</a> (Replaced values for all parameters for all Packages).</p> <p>Updated <a href="#">Thermal Resistance</a> (Replaced values of <math>\Theta_{JA}</math> and <math>\Theta_{JC}</math> parameters from TBD to respective Thermal Values for all Packages).</p> <p>Updated <a href="#">Switching Characteristics</a> (Removed 250 MHz frequency related information and included 225 MHz frequency related information).</p> <p>Updated <a href="#">Switching Waveforms</a>.</p> <p>Updated <a href="#">Package Diagrams</a> (Changed package outline for 165-ball FBGA package and 209-ball BGA package, removed 119-BGA package offering).</p>
*C	299452	See ECN	SYT	<p>Updated <a href="#">Features</a> (Removed 225 MHz frequency related information and included 250 MHz frequency related information).</p> <p>Updated <a href="#">Selection Guide</a> (Removed 225 MHz frequency related information and included 250 MHz frequency related information).</p> <p>Updated <a href="#">Electrical Characteristics</a> (Removed 225 MHz frequency related information and included 250 MHz frequency related information).</p> <p>Updated <a href="#">Thermal Resistance</a> (Changed values of <math>\Theta_{JA}</math> parameter from 16.8 °C/W to 24.63 °C/W and <math>\Theta_{JC}</math> parameter from 3.3 °C/W to 2.28 °C/W for 100-pin TQFP Package).</p> <p>Updated <a href="#">Switching Characteristics</a> (Removed 225 MHz frequency related information and included 250 MHz frequency related information, changed minimum value of <math>t_{CYC}</math> parameter from 4.4 ns to 4.0 ns for 250 MHz frequency).</p> <p>Updated <a href="#">Ordering Information</a> (Updated part numbers (Added Pb-free information for 100-pin TQFP, 165-ball FBGA and 209-ball BGA Packages), added 'Pb-free BG packages availability' comment below the Ordering Information).</p>

**Document History Page** (continued)

Document Title: CY7C1480V33, 72-Mbit (2 M × 36) Pipelined Sync SRAM Document Number: 38-05283				
Rev.	ECN No.	Submission Date	Orig. of Change	Description of Change
*D	323080	See ECN	PCI	Updated <a href="#">Selection Guide</a> (Unshaded 200 MHz and 167 MHz frequency related information). Updated <a href="#">Pin Configurations</a> (Modified Address expansion pins/balls in the pinouts for all packages as per JEDEC standard). Updated <a href="#">Pin Definitions</a> . Added Truth Table for Read/Write (Corresponding to CY7C1486V33). Added Note "BWx represents any byte write signal BW[0..7]. To enable any byte write BWx, a Logic LOW signal should be applied at clock rise. Any number of byte writes can be enabled at the same time for any given write." and referred the same note in that table). Updated <a href="#">Operating Range</a> (Added Industrial Operating Range). Updated <a href="#">Electrical Characteristics</a> (Unshaded 200 MHz and 167 MHz frequency related information, Updated test conditions for $V_{OL}$ , $V_{OH}$ parameters). Updated <a href="#">Switching Characteristics</a> (Unshaded 200 MHz and 167 MHz frequency related information). Updated <a href="#">Ordering Information</a> (Updated part numbers, removed 'Pb-free BG packages availability' comment below the Ordering Information).
*E	416193	See ECN	NXR	Changed status from Preliminary to Final. Changed address of Cypress Semiconductor Corporation from "3901 North First Street" to "198 Champion Court". Updated <a href="#">Electrical Characteristics</a> (Updated Note 9 (Changed test condition from $V_{IH} \leq V_{DD}$ to $V_{IH} < V_{DD}$ ), changed "Input Load Current except ZZ and MODE" to "Input Leakage Current except ZZ and MODE", changed minimum value of $I_X$ parameter (corresponding to Input current of MODE (Input = $V_{SS}$ )) from $-5 \mu A$ to $-30 \mu A$ , changed maximum value of $I_X$ parameter (corresponding to Input current of MODE (Input = $V_{DD}$ )) from $30 \mu A$ to $5 \mu A$ respectively, changed minimum value of $I_X$ parameter (corresponding to Input current of ZZ (Input = $V_{SS}$ )) from $-30 \mu A$ to $-5 \mu A$ , changed maximum value of $I_X$ parameter (corresponding to Input current of ZZ (Input = $V_{DD}$ )) from $5 \mu A$ to $30 \mu A$ respectively). Updated <a href="#">Ordering Information</a> (Updated part numbers, replaced Package Name column with Package Diagram in the Ordering Information table).
*F	470723	See ECN	VKN	Updated <a href="#">Maximum Ratings</a> (Added the Maximum Rating for Supply Voltage on $V_{DDQ}$ Relative to GND). Updated TAP AC Switching Characteristics (Changed minimum value of $t_{TH}$ and $t_{TL}$ parameters from 25 ns to 20 ns, changed maximum value of $t_{TDOV}$ parameter from 5 ns to 10 ns). Updated <a href="#">Ordering Information</a> (Updated part numbers).
*G	486690	See ECN	VKN	Updated <a href="#">Pin Configurations</a> (Corrected the typo in the figure 209-ball FBGA pinout (Corrected the ball name H9 to $V_{SS}$ from $V_{SSQ}$ )).
*H	1026720	See ECN	VKN	Updated <a href="#">Pin Definitions</a> (Added Note 1 and referred the same note in $V_{SSQ}$ pin).
*I	2898501	03/24/2010	NJY	Updated <a href="#">Ordering Information</a> (Removed inactive parts from Ordering Information table) Updated <a href="#">Package Diagrams</a> .
*J	3067398	10/20/10	NJY	Updated <a href="#">Ordering Information</a> (The part CY7C1480V33-250AXC found to be in "EOL Prune" state in Oracle PLM is removed from the ordering information table) and added <a href="#">Ordering Code Definitions</a> .
*K	3257192	05/14/2011	NJY	Updated <a href="#">Package Diagrams</a> . Added <a href="#">Acronyms and Units of Measure</a> . Updated in new template.

**Document History Page** (continued)

Document Title: CY7C1480V33, 72-Mbit (2 M × 36) Pipelined Sync SRAM Document Number: 38-05283				
Rev.	ECN No.	Submission Date	Orig. of Change	Description of Change
*L	3596931	04/23/2012	NJY	<p>Updated <a href="#">Features</a> (Removed 250 MHz frequency related information, removed CY7C1482V33, CY7C1486V33 related information, removed 165-ball FBGA package, 209-ball FBGA package related information).</p> <p>Updated <a href="#">Functional Description</a> (Removed CY7C1482V33, CY7C1486V33 related information, removed the Note “For best practices recommendations, please refer to the Cypress application note <a href="#">AN1064, SRAM System Guidelines.</a>” and its reference).</p> <p>Updated <a href="#">Selection Guide</a> (Removed 250 MHz frequency related information). Removed Logic Block Diagram – CY7C1482V33. Removed Logic Block Diagram – CY7C1486V33.</p> <p>Updated <a href="#">Pin Configurations</a> (Removed CY7C1482V33, CY7C1486V33 related information, removed 165-ball FBGA package, 209-ball FBGA package related information).</p> <p>Updated <a href="#">Functional Overview</a> (Removed CY7C1482V33, CY7C1486V33 related information).</p> <p>Updated <a href="#">Truth Table</a> (Removed CY7C1482V33, CY7C1486V33 related information). Removed Truth Table for Read/Write (Corresponding to CY7C1482V33, CY7C1486V33). Removed IEEE 1149.1 Serial Boundary Scan (JTAG). Removed TAP Controller State Diagram. Removed TAP Controller Block Diagram. Removed TAP Timing. Removed TAP AC Switching Characteristics. Removed 3.3 V TAP AC Test Conditions. Removed 3.3 V TAP AC Output Load Equivalent. Removed 2.5 V TAP AC Test Conditions. Removed 2.5 V TAP AC Output Load Equivalent. Removed TAP DC Electrical Characteristics and Operating Conditions. Removed Identification Register Definitions. Removed Scan Register Sizes. Removed Identification Codes. Removed Boundary Scan Exit Order (Corresponding to CY7C1480V33, CY7C1482V33, CY7C1486V33). Updated <a href="#">Operating Range</a> (Removed Industrial Temperature Range). Updated <a href="#">Electrical Characteristics</a> (Removed 250 MHz frequency related information). Updated <a href="#">Capacitance</a> (Removed 165-ball FBGA package, 209-ball FBGA package related information). Updated <a href="#">Thermal Resistance</a> (Removed 165-ball FBGA package, 209-ball FBGA package related information). Updated <a href="#">Switching Characteristics</a> (Removed 250 MHz frequency related information). Updated <a href="#">Package Diagrams</a> (Removed 165-ball FBGA package (spec 51-85165), 209-ball FBGA package (spec 51-85167) related information). Replaced all instances of IO with I/O across the document.</p>

## Sales, Solutions, and Legal Information

### Worldwide Sales and Design Support

Cypress maintains a worldwide network of offices, solution centers, manufacturer's representatives, and distributors. To find the office closest to you, visit us at [Cypress Locations](#).

### Products

Automotive	<a href="http://cypress.com/go/automotive">cypress.com/go/automotive</a>
Clocks & Buffers	<a href="http://cypress.com/go/clocks">cypress.com/go/clocks</a>
Interface	<a href="http://cypress.com/go/interface">cypress.com/go/interface</a>
Lighting & Power Control	<a href="http://cypress.com/go/powerpsoc">cypress.com/go/powerpsoc</a> <a href="http://cypress.com/go/plc">cypress.com/go/plc</a>
Memory	<a href="http://cypress.com/go/memory">cypress.com/go/memory</a>
Optical & Image Sensing	<a href="http://cypress.com/go/image">cypress.com/go/image</a>
PSoC	<a href="http://cypress.com/go/psoc">cypress.com/go/psoc</a>
Touch Sensing	<a href="http://cypress.com/go/touch">cypress.com/go/touch</a>
USB Controllers	<a href="http://cypress.com/go/USB">cypress.com/go/USB</a>
Wireless/RF	<a href="http://cypress.com/go/wireless">cypress.com/go/wireless</a>

### PSoC Solutions

[psoc.cypress.com/solutions](http://psoc.cypress.com/solutions)  
PSoC 1 | PSoC 3 | PSoC 5

---

© Cypress Semiconductor Corporation, 2002-2012. The information contained herein is subject to change without notice. Cypress Semiconductor Corporation assumes no responsibility for the use of any circuitry other than circuitry embodied in a Cypress product. Nor does it convey or imply any license under patent or other rights. Cypress products are not warranted nor intended to be used for medical, life support, life saving, critical control or safety applications, unless pursuant to an express written agreement with Cypress. Furthermore, Cypress does not authorize its products for use as critical components in life-support systems where a malfunction or failure may reasonably be expected to result in significant injury to the user. The inclusion of Cypress products in life-support systems application implies that the manufacturer assumes all risk of such use and in doing so indemnifies Cypress against all charges.

Any Source Code (software and/or firmware) is owned by Cypress Semiconductor Corporation (Cypress) and is protected by and subject to worldwide patent protection (United States and foreign), United States copyright laws and international treaty provisions. Cypress hereby grants to licensee a personal, non-exclusive, non-transferable license to copy, use, modify, create derivative works of, and compile the Cypress Source Code and derivative works for the sole purpose of creating custom software and or firmware in support of licensee product to be used only in conjunction with a Cypress integrated circuit as specified in the applicable agreement. Any reproduction, modification, translation, compilation, or representation of this Source Code except as specified above is prohibited without the express written permission of Cypress.

Disclaimer: CYPRESS MAKES NO WARRANTY OF ANY KIND, EXPRESS OR IMPLIED, WITH REGARD TO THIS MATERIAL, INCLUDING, BUT NOT LIMITED TO, THE IMPLIED WARRANTIES OF MERCHANTABILITY AND FITNESS FOR A PARTICULAR PURPOSE. Cypress reserves the right to make changes without further notice to the materials described herein. Cypress does not assume any liability arising out of the application or use of any product or circuit described herein. Cypress does not authorize its products for use as critical components in life-support systems where a malfunction or failure may reasonably be expected to result in significant injury to the user. The inclusion of Cypress' product in a life-support systems application implies that the manufacturer assumes all risk of such use and in doing so indemnifies Cypress against all charges.

Use may be limited by and subject to the applicable Cypress software license agreement.