

## 10-BIT 165-MSPS DIGITAL-TO-ANALOG CONVERTER

Check for Samples: [DAC900-Q1](#)

### FEATURES

- Qualified for Automotive Applications
- Single +5V OR +3V Operation
- High SFDR: 5MHz Output at 100MSPS: 68dBc
- Low Glitch: 3pV-s
- Low Power: 170mW at +5V
- Internal Reference: Optional External Reference Adjustable Full-Scale Range Multiplying Option
- Latch-Up Performance Meets 100 mA Per JESD 78, Class I

### APPLICATIONS

- Communication Transmit Channels
  - WLL, Cellular Base Station
  - Digital Microwave Links
  - Cable Modems
- Waveform Generation
  - Direct Digital Synthesis (DDS)
  - Arbitrary Waveform Generation (ARB)
- Medical/Ultrasound
- High-Speed Instrumentation and Control
- Video, Digital TV

### DESCRIPTION

The DAC900 is a high-speed, Digital-to-Analog Converter (DAC) offering a 10-bit resolution option within the SpeedPlus family of high-performance converters. Featuring pin compatibility among family members, the DAC908, DAC902, and DAC904 provide a component selection option to an 8-, 12-, and 14-bit resolution, respectively. All models within this family of DACs support update rates in excess of 165MSPS with excellent dynamic performance, and are especially suited to fulfill the demands of a variety of applications.

The advanced segmentation architecture of the DAC900 is optimized to provide a high Spurious-Free Dynamic Range (SFDR) for single-tone, as well as for multi-tone signals—essential when used for the transmit signal path of communication systems.

The DAC900 has a high impedance (200k $\Omega$ ) current output with a nominal range of 20mA and an output compliance of up to 1.25V. The differential outputs allow for both a differential or single-ended analog signal interface. The close matching of the current outputs ensures superior dynamic performance in the differential configuration, which can be implemented with a transformer.

Utilizing a small geometry CMOS process, the monolithic DAC900 can be operated on a wide, single-supply range of +2.7V to +5.5V. Its low power consumption allows for use in portable and battery-operated systems. Further optimization can be realized by lowering the output current with the adjustable full-scale option.

For noncontinuous operation of the DAC900, a power-down mode results in only 45mW of standby power.

The DAC900 comes with an integrated 1.24V bandgap reference and edge-triggered input latches, offering a complete converter solution. Both +3V and +5V CMOS logic families can be interfaced to the DAC900.

The reference structure of the DAC900 allows for additional flexibility by utilizing the on-chip reference, or applying an external reference. The full-scale output current can be adjusted over a span of 2mA to 20mA, with one external resistor, while maintaining the specified dynamic performance.

The DAC900 is available in a TSSOP-28 (PW) package.

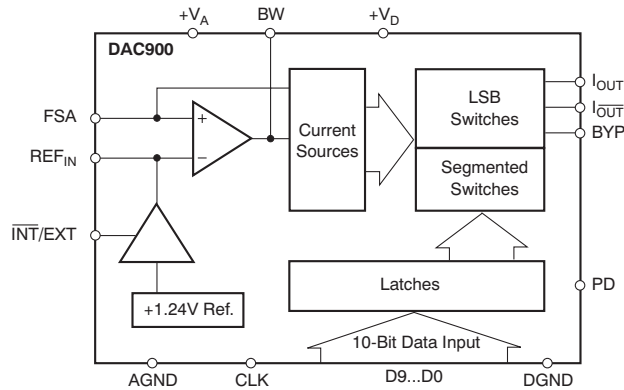


Please be aware that an important notice concerning availability, standard warranty, and use in critical applications of Texas Instruments semiconductor products and disclaimers thereto appears at the end of this data sheet.



This integrated circuit can be damaged by ESD. Texas Instruments recommends that all integrated circuits be handled with appropriate precautions. Failure to observe proper handling and installation procedures can cause damage.

ESD damage can range from subtle performance degradation to complete device failure. Precision integrated circuits may be more susceptible to damage because very small parametric changes could cause the device not to meet its published specifications.



**ORDERING INFORMATION<sup>(1)</sup>**

| T <sub>A</sub> | PACKAGE <sup>(2)</sup> |              | ORDERABLE PART NUMBER | TOP-SIDE MARKING |
|----------------|------------------------|--------------|-----------------------|------------------|
| -40°C to 105°C | TSSOP – PW             | Reel of 2500 | DAC900TPWRQ1          | DAC900T          |

- (1) For the most current package and ordering information, see the Package Option Addendum at the end of this document, or see the TI web site at [www.ti.com](http://www.ti.com).
- (2) Package drawings, thermal data, and symbolization are available at [www.ti.com/packaging](http://www.ti.com/packaging).

**ABSOLUTE MAXIMUM RATINGS**

over operating free-air temperature range (unless otherwise noted)

|                                    |                                |
|------------------------------------|--------------------------------|
| +V <sub>A</sub> to AGND            | -0.3V to +6V                   |
| +V <sub>D</sub> to DGND            | -0.3V to +6V                   |
| AGND to DGND                       | -0.3V to +0.3V                 |
| +V <sub>A</sub> to +V <sub>D</sub> | -6V to +6V                     |
| CLK, PD to DGND                    | -0.3V to V <sub>D</sub> + 0.3V |
| D0-D9 to DGND                      | -0.3V to V <sub>D</sub> + 0.3V |
| IOUT, IOUT to AGND                 | -1V to V <sub>A</sub> + 0.3V   |
| BW, BYP to AGND                    | -0.3V to V <sub>A</sub> + 0.3V |
| REFIN, FSA to AGND                 | -0.3V to V <sub>A</sub> + 0.3V |
| INT/EXT to AGND                    | -0.3V to V <sub>A</sub> + 0.3V |
| Junction temperature               | +150°C                         |
| Storage temperature                | +150°C                         |

## ELECTRICAL CHARACTERISTICS

At  $T_A = -40^\circ\text{C}$  to  $+105^\circ\text{C}$ ,  $+V_A = +5\text{V}$ ,  $+V_D = +5\text{V}$ , differential transformer coupled output,  $50\Omega$  doubly terminated, unless otherwise specified

| PARAMETER   | TEST CONDITIONS   | MIN   | TYP       | MAX   | UNIT                        |
|---|---|-------|-----------|-------|-----------------------------|
| <b>RESOLUTION</b>   |   |       | 10        |       | bits                        |
| <b>OUTPUT UPDATE RATE</b>   |   |       |           |       |                             |
| Output Update Rate ( $f_{\text{CLOCK}}$ )   | 2.7V to 3.3V  | 125   | 165       |       | MSPS                        |
|   | 4.5V to 5.5V  | 165   | 200       |       | MSPS                        |
| <b>STATIC ACCURACY</b> <sup>(1)</sup>   |   |       |           |       |                             |
| Differential Nonlinearity (DNL)   | $T_A = +25^\circ\text{C}$   |       |           |       |                             |
|   | $f_{\text{CLOCK}} = 25\text{MSPS}$ , $f_{\text{OUT}} = 1.0\text{MHz}$ | -0.75 | $\pm 0.3$ | +0.75 | LSB                         |
| Integral Nonlinearity (INL)   | $T_A = +25^\circ\text{C}$   | -1    | $\pm 0.5$ | +1    | LSB                         |
|   | $T_A = -40^\circ\text{C}$ to $+105^\circ\text{C}$                     | -1.5  |           | +1.5  |                             |
| <b>DYNAMIC PERFORMANCE</b>  |   |       |           |       |                             |
| Spurious-Free Dynamic Range (SFDR)  |   |       |           |       |                             |
| $f_{\text{OUT}} = 1.0\text{MHz}$ , $f_{\text{CLOCK}} = 25\text{MSPS}$   | To Nyquist  |       |           |       |                             |
|   | $T_A = +25^\circ\text{C}$   | 70    | 76        |       | dBc                         |
| $T_A = -40^\circ\text{C}$ to $+105^\circ\text{C}$   | 60  | 76    |           |       |                             |
| $f_{\text{OUT}} = 2.1\text{MHz}$ , $f_{\text{CLOCK}} = 50\text{MSPS}$   |   |       | 75        |       | dBc                         |
| $f_{\text{OUT}} = 5.04\text{MHz}$ , $f_{\text{CLOCK}} = 50\text{MSPS}$  |   |       | 68        |       | dBc                         |
| $f_{\text{OUT}} = 5.04\text{MHz}$ , $f_{\text{CLOCK}} = 100\text{MSPS}$                                       |   |       | 68        |       | dBc                         |
| $f_{\text{OUT}} = 20.2\text{MHz}$ , $f_{\text{CLOCK}} = 100\text{MSPS}$                                       |   |       | 62        |       | dBc                         |
| $f_{\text{OUT}} = 25.3\text{MHz}$ , $f_{\text{CLOCK}} = 125\text{MSPS}$                                       |   |       | 62        |       | dBc                         |
| $f_{\text{OUT}} = 41.5\text{MHz}$ , $f_{\text{CLOCK}} = 125\text{MSPS}$                                       |   |       | 53        |       | dBc                         |
| $f_{\text{OUT}} = 27.4\text{MHz}$ , $f_{\text{CLOCK}} = 165\text{MSPS}$                                       |   |       | 59        |       | dBc                         |
| $f_{\text{OUT}} = 54.8\text{MHz}$ , $f_{\text{CLOCK}} = 165\text{MSPS}$                                       |   |       | 53        |       | dBc                         |
| Spurious-Free Dynamic Range within a Window   |   |       |           |       |                             |
| $f_{\text{OUT}} = 5.04\text{MHz}$ , $f_{\text{CLOCK}} = 50\text{MSPS}$  | 2MHz Span   |       | 78        |       | dBc                         |
| $f_{\text{OUT}} = 5.04\text{MHz}$ , $f_{\text{CLOCK}} = 100\text{MSPS}$                                       | 4MHz Span   |       | 78        |       | dBc                         |
| Total Harmonic Distortion (THD)   |   |       |           |       |                             |
| $f_{\text{OUT}} = 2.1\text{MHz}$ , $f_{\text{CLOCK}} = 50\text{MSPS}$   |   |       | -74       |       | dBc                         |
| $f_{\text{OUT}} = 2.1\text{MHz}$ , $f_{\text{CLOCK}} = 125\text{MSPS}$  |   |       | -73       |       | dBc                         |
| Two Tone  |   |       |           |       |                             |
| $f_{\text{OUT}1} = 13.5\text{MHz}$ , $f_{\text{OUT}2} = 14.5\text{MHz}$ , $f_{\text{CLOCK}} = 100\text{MSPS}$ |   |       | 60        |       | dBc                         |
| Output Settling Time <sup>(2)</sup>   | to 0.1%   |       | 30        |       | ns                          |
| Output Rise Time <sup>(2)</sup>   | 10% to 90%  |       | 2         |       | ns                          |
| Output Fall Time <sup>(2)</sup>   | 90% to 10%  |       | 2         |       | ns                          |
| Glitch Impulse  |   |       | 3         |       | pV-s                        |
| <b>DC-ACCURACY</b>  |   |       |           |       |                             |
| Full-Scale Output Range <sup>(3)</sup> (FSR)  | All Bits High, $I_{\text{OUT}}$                                       | 2     |           | 20    | mA                          |
| Output Compliance Range   |   | -1    |           | +1.25 | V                           |
| Gain Error With Internal Reference  | $T_A = +25^\circ\text{C}$   | -10   | $\pm 1$   | +10   | %FSR                        |
|   | $T_A = -40^\circ\text{C}$ to $+105^\circ\text{C}$                     | -25   |           | +25   |                             |
| Gain Error With External Reference  |   | -10   | $\pm 2$   | +10   | %FSR                        |
| Gain Drift With Internal Reference  |   |       | $\pm 120$ |       | ppmFSR/<br>$^\circ\text{C}$ |
| Offset Error With Internal Reference  | $T_A = +25^\circ\text{C}$   | -0.06 |           | +0.06 | %FSR                        |
|   | $T_A = -40^\circ\text{C}$ to $+105^\circ\text{C}$                     | -0.1  |           | +0.1  |                             |

(1) At output  $I_{\text{OUT}}$ , while driving a virtual ground.

(2) Measured single-ended into  $50\Omega$  Load.

(3) Nominal full-scale output current is  $32 \times I_{\text{REF}}$ ; see Application Section for details.

**ELECTRICAL CHARACTERISTICS (continued)**

At  $T_A = -40^{\circ}\text{C}$  to  $+105^{\circ}\text{C}$ ,  $+V_A = +5\text{V}$ ,  $+V_D = +5\text{V}$ , differential transformer coupled output,  $50\Omega$  doubly terminated, unless otherwise specified

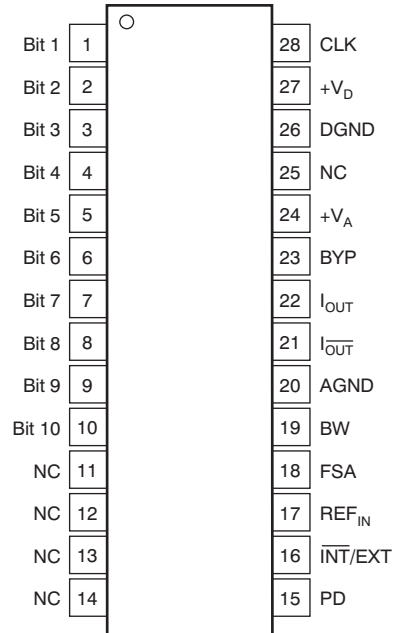
| PARAMETER  | TEST CONDITIONS   | MIN    | TYP                  | MAX    | UNIT                         |
|--|---|--------|----------------------|--------|------------------------------|
| Offset Drift With Internal Reference               |   |        | ±0.1                 |        | ppmFSR/<br>°C                |
| Power-Supply Rejection, $+V_A$                     | $T_A = +25^{\circ}\text{C}$                                   | -0.2   |                      | +0.2   | %FSR/V                       |
|  | $T_A = -40^{\circ}\text{C}$ to $+105^{\circ}\text{C}$         | -1.4   |                      | +1.4   |                              |
| Power-Supply Rejection, $+V_D$                     | $T_A = +25^{\circ}\text{C}$                                   | -0.025 |                      | +0.025 | %FSR/V                       |
|  | $T_A = -40^{\circ}\text{C}$ to $+105^{\circ}\text{C}$         | -0.4   |                      | +0.4   |                              |
| Output Noise                                       | $I_{\text{OUT}} = 20\text{mA}$ , $R_{\text{LOAD}} = 50\Omega$ |        | 50                   |        | $\text{pA}/\sqrt{\text{Hz}}$ |
| Output Resistance                                  |   |        | 200                  |        | k $\Omega$                   |
| Output Capacitance                                 | $I_{\text{OUT}}$ , $\overline{I_{\text{OUT}}}$ to Ground      |        | 12                   |        | pF                           |
| <b>REFERENCE</b>                                   |   |        |                      |        |                              |
| Reference Voltage                                  |   |        | +1.24                |        | V                            |
| Reference Tolerance                                |   |        | ±10                  |        | %                            |
| Reference Voltage Drift                            |   |        | ±50                  |        | ppmFSR/<br>°C                |
| Reference Output Current                           |   |        | 10                   |        | μA                           |
| Reference Input Resistance                         |   |        | 1                    |        | m $\Omega$                   |
| Reference Input Compliance Range                   |   | 0.1    |                      | 1.25   | V                            |
| Reference Small-Signal Bandwidth <sup>(4)</sup>    |   |        | 1.3                  |        | MHz                          |
| <b>DIGITAL INPUTS</b>                              |   |        |                      |        |                              |
| Logic Coding                                       |   |        | Straight Binary      |        |                              |
| Latch Command                                      |   |        | Rising Edge of Clock |        |                              |
| Logic High Voltage, $V_{\text{IH}}$                | $+V_D = +5\text{V}$   | 3.5    | 5                    |        | V                            |
| Logic Low Voltage, $V_{\text{IL}}$                 | $+V_D = +5\text{V}$   |        | 0                    | 1.2    | V                            |
| Logic High Voltage, $V_{\text{IH}}$                | $+V = +3\text{V}$   | 2      | 3                    |        | V                            |
| Logic Low Voltage, $V_{\text{IL}}$                 | $+V_D = +3\text{V}$   |        | 0                    | 0.8    | V                            |
| Logic High Current, $I_{\text{IH}}$ <sup>(5)</sup> | $+V_D = +5\text{V}$   |        | ±20                  |        | V                            |
| Logic Low Current, $I_{\text{IL}}$                 | $+V_D = +5\text{V}$   |        | ±20                  |        | μA                           |
| Input Capacitance                                  |   |        | 5                    |        | pF                           |
| <b>POWER SUPPLY</b>                                |   |        |                      |        |                              |
| Supply Voltages                                    |   |        |                      |        |                              |
| $+V_A$   |   | +2.7   | +5                   | +5.5   | V                            |
| $+V_D$   |   | +2.7   | +5                   | +5.5   | V                            |
| Supply Current <sup>(6)</sup>                      |   |        |                      |        |                              |
| $I_{V_A}$  |   |        | 24                   | 30     | mA                           |
| $I_{V_A}$ , Power-Down Mode                        |   |        | 1.1                  | 2      | mA                           |
| $I_{V_D}$  |   |        | 8                    | 15     | mA                           |
| Power Dissipation                                  | +5V, $I_{\text{OUT}} = 20\text{mA}$                           |        | 170                  | 230    | mW                           |
|  | +3V, $I_{\text{OUT}} = 2\text{mA}$                            |        | 50                   |        | mW                           |
|  | Power-Down Mode   |        | 45                   |        | mW                           |
| Thermal Resistance, $\theta_{\text{JA}}$           |   |        |                      |        |                              |
| TSSOP-28   |   |        | 50                   |        | °C/W                         |

(4) Reference bandwidth depends on size of external capacitor at the BW pin and signal level.

(5) Typically 45μA for the PD pin, which has an internal pulldown resistor.

(6) Measured at  $f_{\text{CLOCK}} = 50\text{MSPS}$  and  $f_{\text{OUT}} = 1.0\text{MHz}$ .

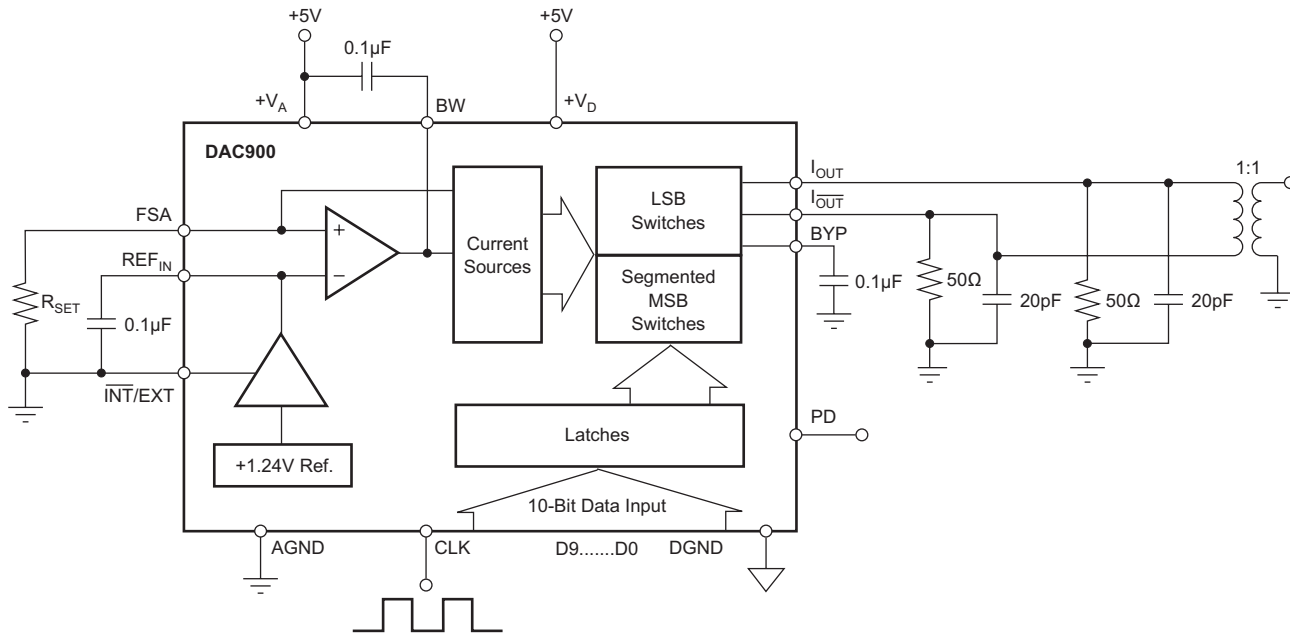
**PW PACKAGE  
(TOP VIEW)**



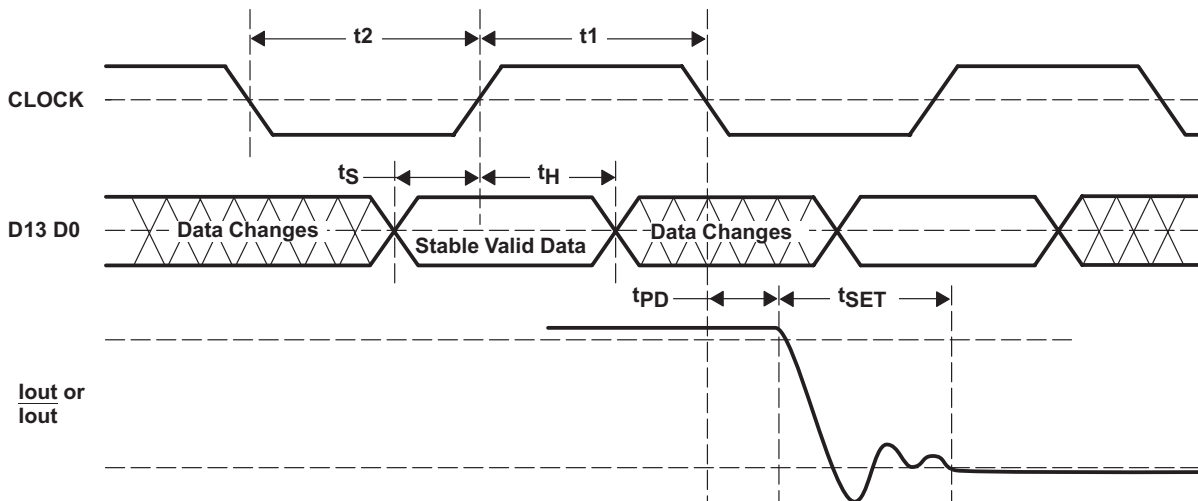
### TERMINAL FUNCTIONS

| TERMINAL |                                    | DESCRIPTION   |
|----------|------------------------------------|---|
| NO.      | NAME                               |   |
| 1        | Bit 1                              | Data Bit 1 (D9), MSB  |
| 2        | Bit 2                              | Data Bit 2 (D8)   |
| 3        | Bit 3                              | Data Bit 3 (D7)   |
| 4        | Bit 4                              | Data Bit 4 (D6)   |
| 5        | Bit 5                              | Data Bit 5 (D5)   |
| 6        | Bit 6                              | Data Bit 6 (D4)   |
| 7        | Bit 7                              | Data Bit 7 (D3)   |
| 8        | Bit 8                              | Data Bit 8 (D2)   |
| 9        | Bit 9                              | Data Bit 9 (D1)   |
| 10       | Bit 10                             | Data Bit 10 (D0), LSB   |
| 11       | NC                                 | No Connection   |
| 12       | NC                                 | No Connection   |
| 13       | NC                                 | No Connection   |
| 14       | NC                                 | No Connection   |
| 15       | PD                                 | Power Down, Control Input; Active HIGH. Contains internal pull-down circuit; may be left unconnected if not used. |
| 16       | $\overline{\text{INT}}/\text{EXT}$ | Reference Select Pin; Internal ( = 0) or External ( = 1) Reference Operation.                                     |
| 17       | REF <sub>IN</sub>                  | Reference Input/Output. See Applications section for further details.   |
| 18       | FSA                                | Full-Scale Output Adjust  |
| 19       | BW                                 | Bandwidth/Noise Reduction: Bypass with 0.1 $\mu$ F to +V <sub>A</sub> for Optimum Performance.                    |
| 20       | AGND                               | Analog Ground   |
| 21       | $\overline{\text{I}}_{\text{OUT}}$ | Complementary DAC Current Output  |
| 22       | I <sub>OUT</sub>                   | DAC Current Output  |
| 23       | BYP                                | Bypass Node: Use 0.1 $\mu$ F to AGND  |
| 24       | +V <sub>A</sub>                    | Analog Supply Voltage, 2.7V to 5.5V   |
| 25       | NC                                 | No Connection   |
| 26       | DGND                               | Digital Ground  |
| 27       | +V <sub>D</sub>                    | Digital Supply Voltage, 2.7V to 5.5V  |
| 28       | CLK                                | Clock Input   |

Typical Connection Circuit



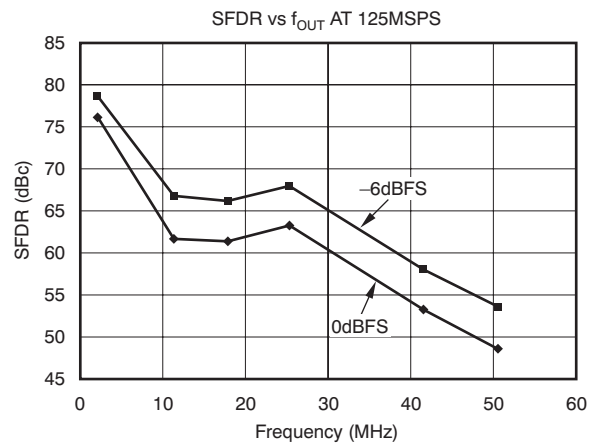
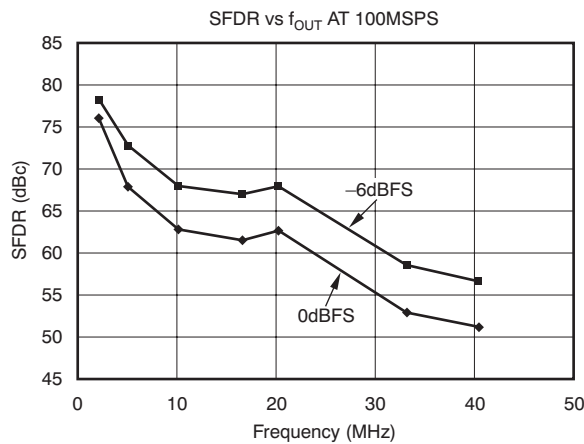
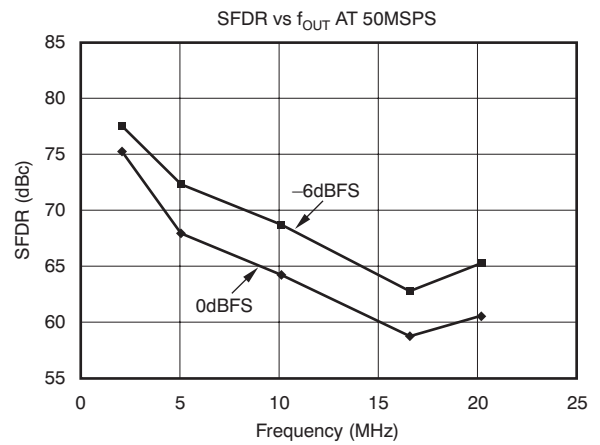
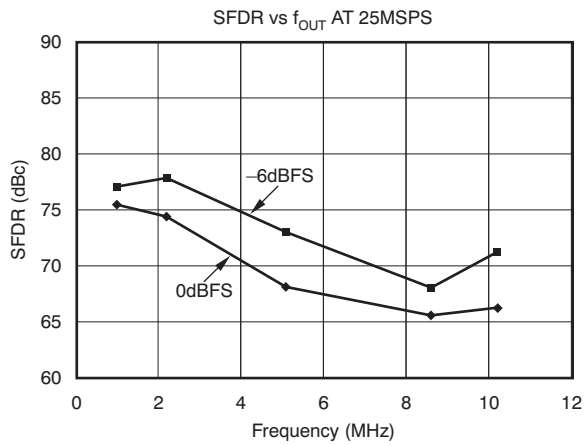
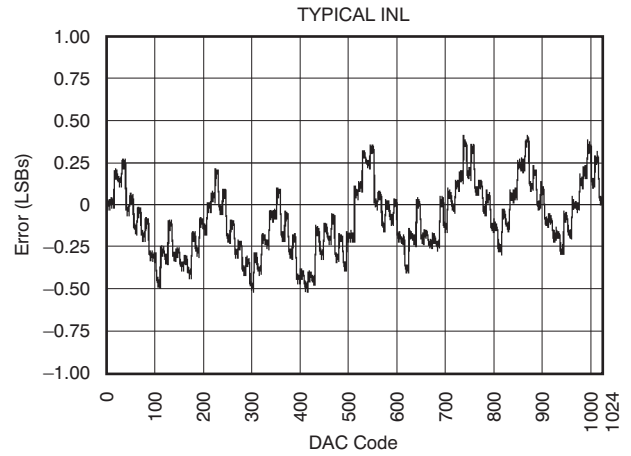
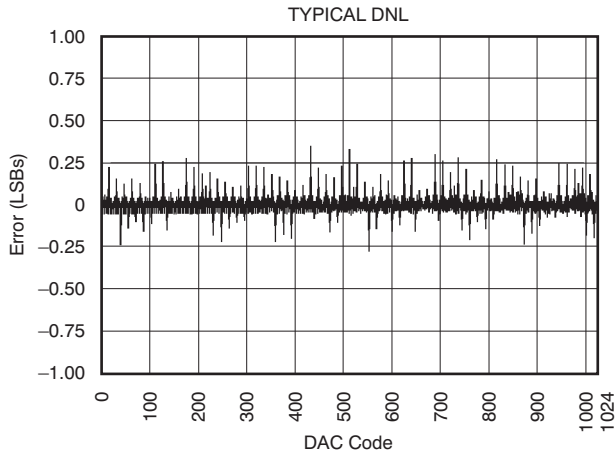
Timing Diagram



| SYMBOL           | DESCRIPTION                  | MIN | TYP | MAX | UNIT |
|------------------|------------------------------|-----|-----|-----|------|
| t <sub>1</sub>   | Clock Pulse HIGH Time        |     | 3   |     | ns   |
| t <sub>2</sub>   | Clock Pulse LOW Time         |     | 3   |     | ns   |
| t <sub>S</sub>   | Data Setup Time              |     | 1.5 |     | ns   |
| t <sub>H</sub>   | Data Hold Time               |     | 1   |     | ns   |
| t <sub>PD</sub>  | Propagation Delay Time       |     | 1   |     | ns   |
| t <sub>SET</sub> | Output Settling Time to 0.1% |     | 30  |     | ns   |

**TYPICAL CHARACTERISTICS:  $V_D = V_A = +5V$**

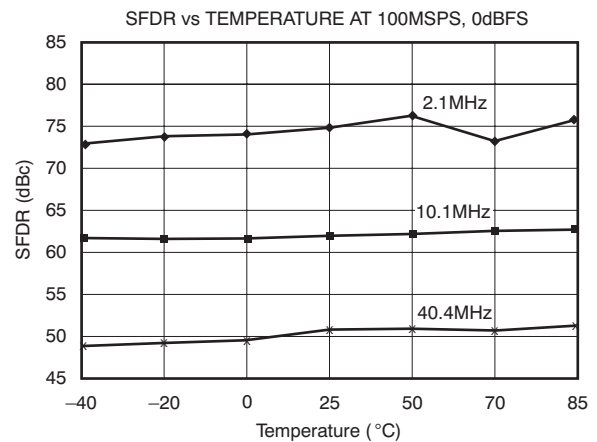
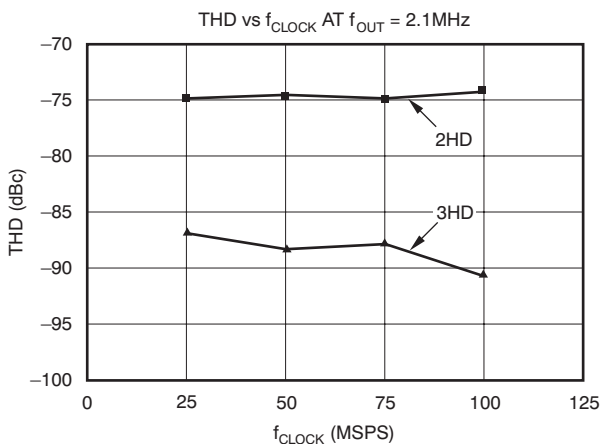
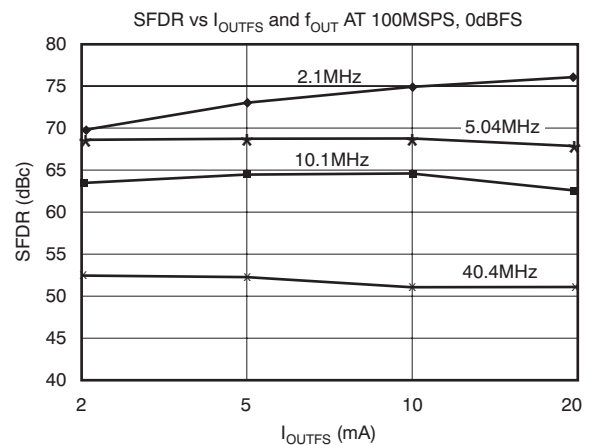
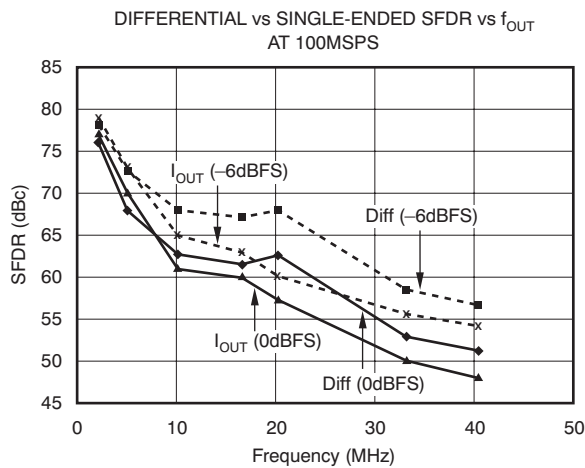
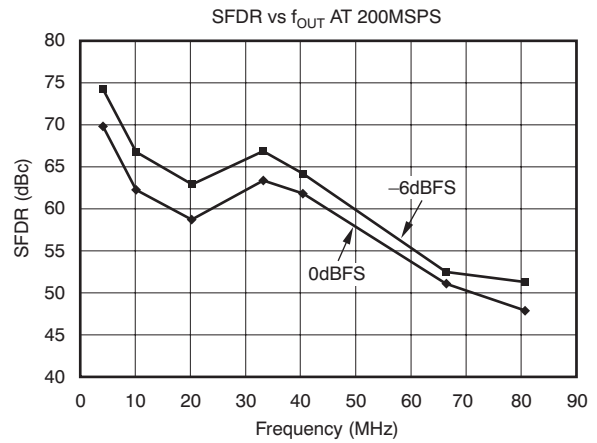
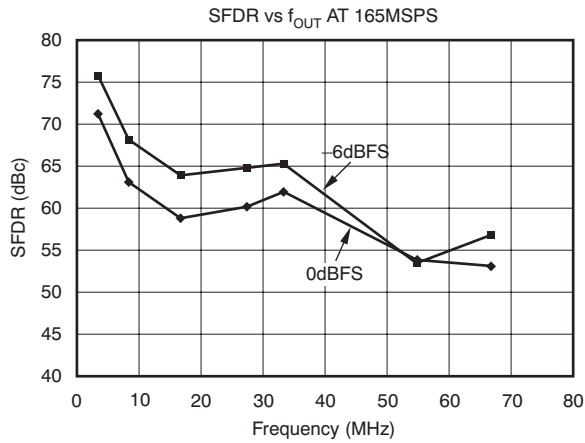
At  $T_A = +25^\circ C$ , Differential  $I_{OUT} = 20mA$ ,  $50\Omega$  double-terminated load, SFDR up to Nyquist, unless otherwise specified





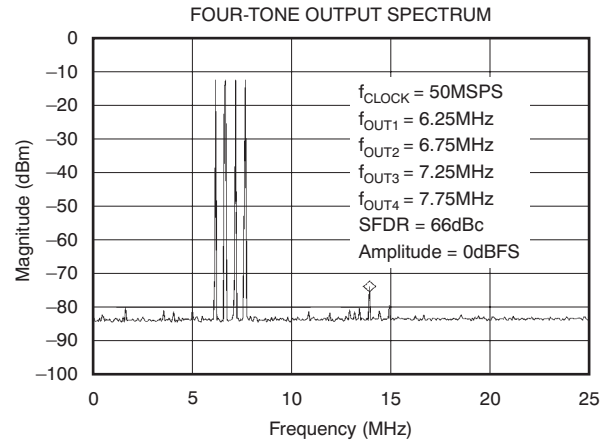
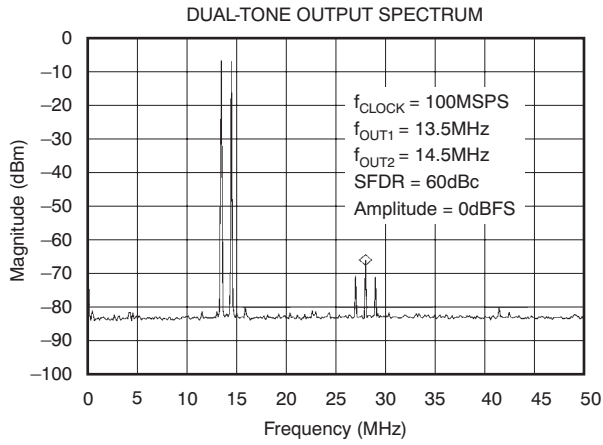
**TYPICAL CHARACTERISTICS:  $V_D = V_A = +5V$  (continued)**

At  $T_A = +25^\circ C$ , Differential  $I_{OUT} = 20mA$ ,  $50\Omega$  double-terminated load, SFDR up to Nyquist, unless otherwise specified



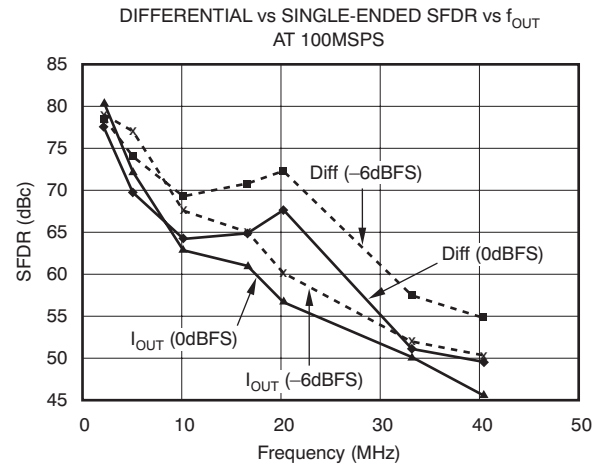
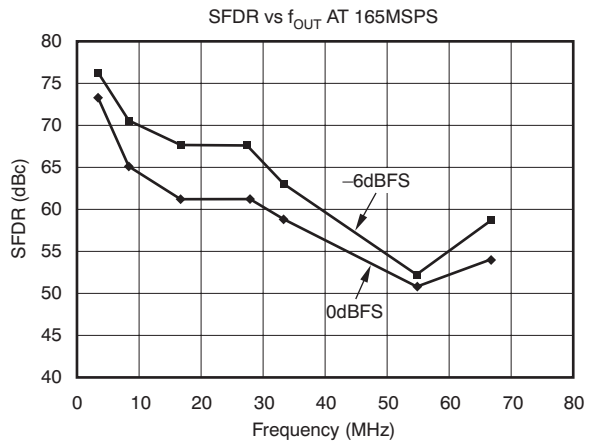
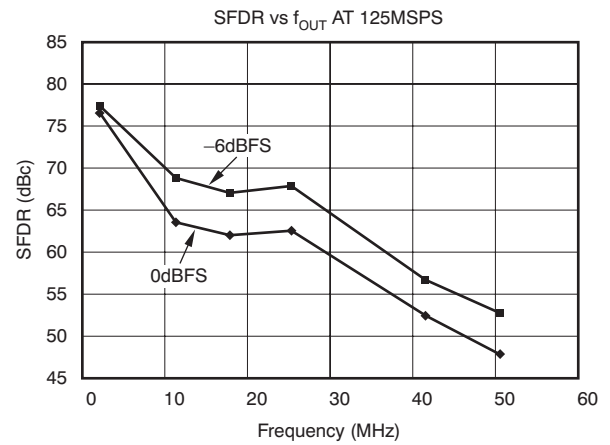
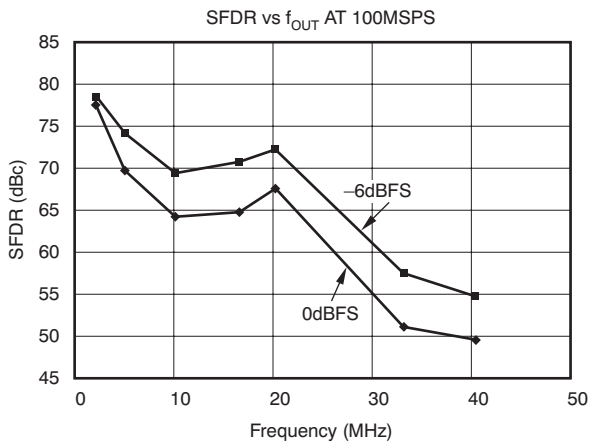
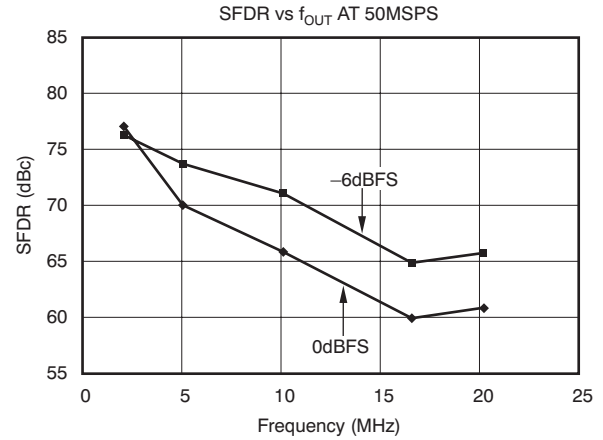
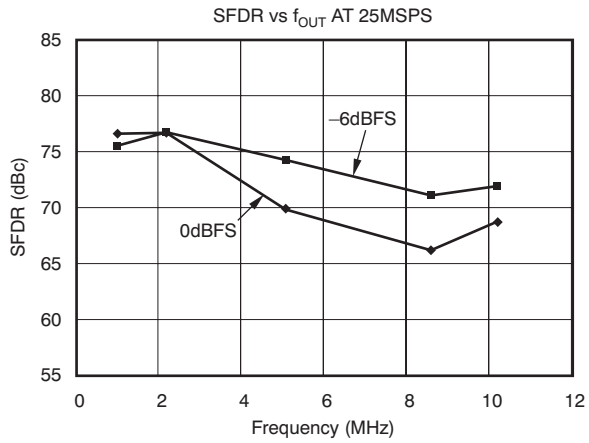
**TYPICAL CHARACTERISTICS:  $V_D = V_A = +5V$  (continued)**

At  $T_A = +25^\circ C$ , Differential  $I_{OUT} = 20mA$ ,  $50\Omega$  double-terminated load, SFDR up to Nyquist, unless otherwise specified



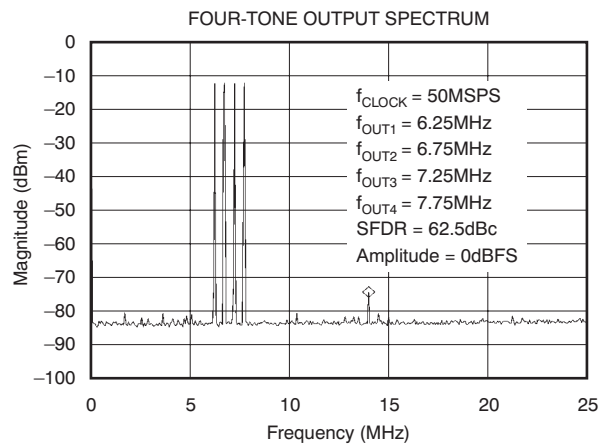
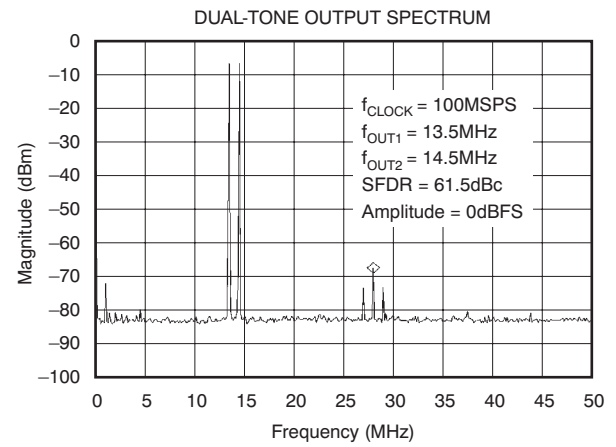
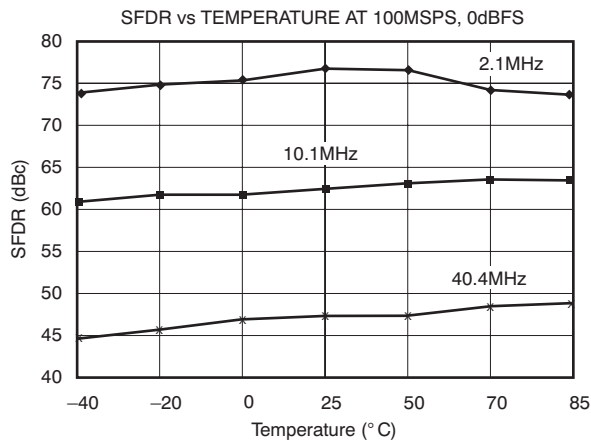
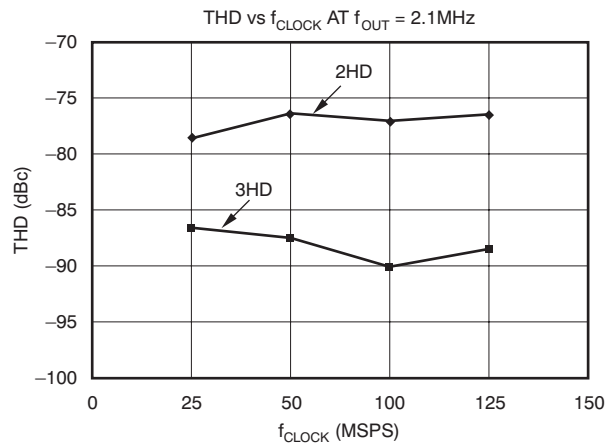
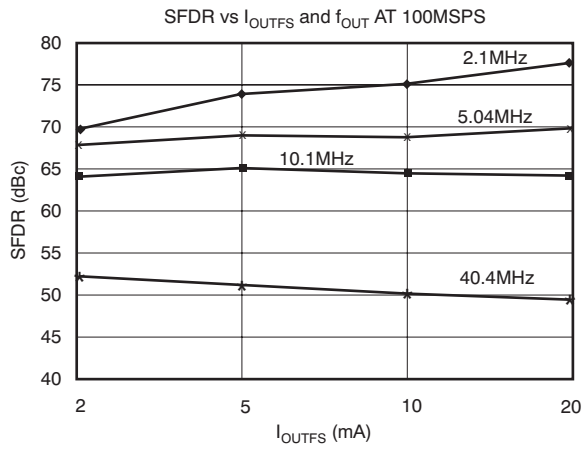
**TYPICAL CHARACTERISTICS:  $V_D = V_A = +3V$**

At  $T_A = +25^\circ\text{C}$ , Differential  $I_{OUT} = 20\text{mA}$ ,  $50\Omega$  double-terminated load, SFDR up to Nyquist, unless otherwise specified



**TYPICAL CHARACTERISTICS:  $V_D = V_A = +3V$  (continued)**

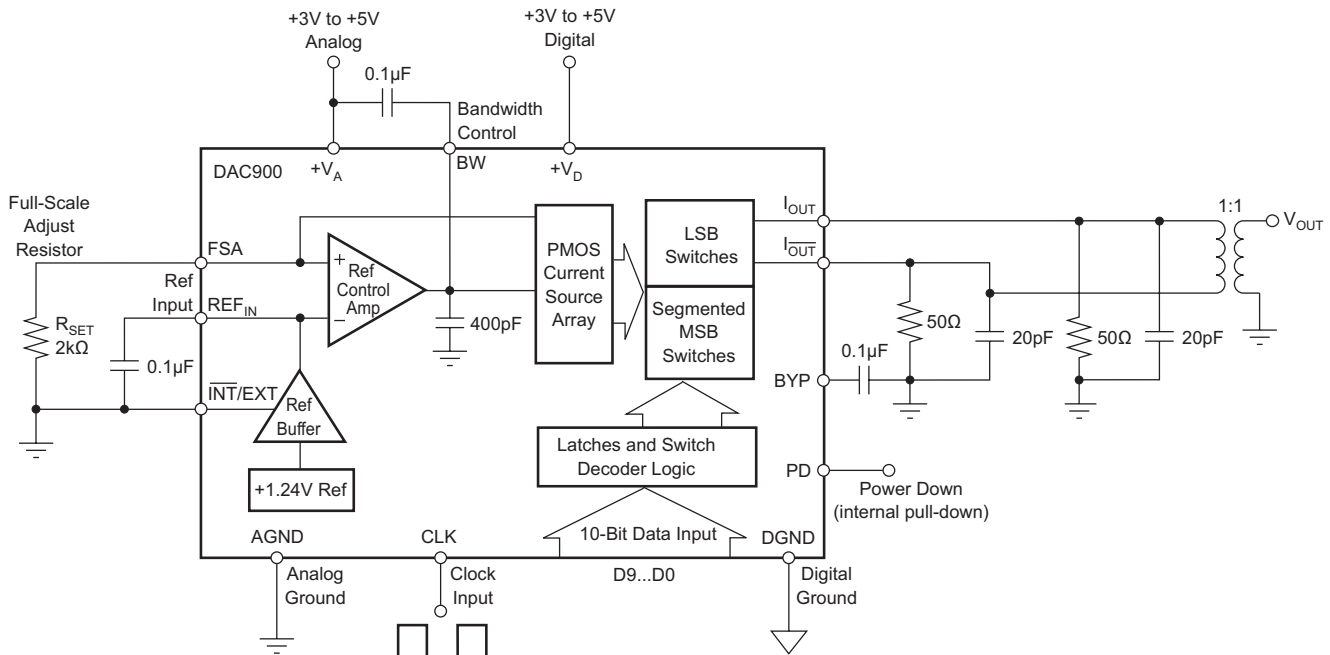
At  $T_A = +25^\circ C$ , Differential  $I_{OUT} = 20mA$ ,  $50\Omega$  double-terminated load, SFDR up to Nyquist, unless otherwise specified



## APPLICATION INFORMATION

### Theory of Operation

The architecture of the DAC900 uses the current steering technique to enable fast switching and a high update rate. The core element within the monolithic DAC is an array of segmented current sources, which are designed to deliver a full-scale output current of up to 20mA, as shown in Figure 1. An internal decoder addresses the differential current switches each time the DAC is updated and a corresponding output current is formed by steering all currents to either output summing node,  $I_{OUT}$  or  $I_{\overline{OUT}}$ . The complementary outputs deliver a differential output signal that improves the dynamic performance through reduction of even-order harmonics, common-mode signals (noise), and double the peak-to-peak output signal swing by a factor of two, compared to single-ended operation.



NOTE: Supply bypassing not shown.

Figure 1. Functional Block Diagram

The segmented architecture results in a significant reduction of the glitch energy, and improves the dynamic performance (SFDR) and DNL. The current outputs maintain a very high output impedance of greater than 200kΩ.

The full-scale output current is determined by the ratio of the internal reference voltage (1.24V) and an external resistor,  $R_{SET}$ . The resulting  $I_{REF}$  is internally multiplied by a factor of 32 to produce an effective DAC output current that can range from 2mA to 20mA, depending on the value of  $R_{SET}$ .

The DAC900 is split into a digital and an analog portion, each of which is powered through its own supply pin. The digital section includes edge-triggered input latches and the decoder logic, while the analog section comprises the current source array with its associated switches and the reference circuitry.

## DAC Transfer Function

The total output current,  $I_{OUTFS}$ , of the DAC900 is the summation of the two complementary output currents:

$$I_{OUTFS} = I_{OUT} + I_{\overline{OUT}} \quad (1)$$

The individual output currents depend on the DAC code and can be expressed as:

$$I_{OUT} = I_{OUTFS} \times \frac{\text{Code}}{1024} \quad (2)$$

$$I_{\overline{OUT}} = I_{OUTFS} \times \left( 1023 - \frac{\text{Code}}{1024} \right) \quad (3)$$

Where,

Code is the decimal representation of the DAC data input word.

Additionally,  $I_{OUTFS}$  is a function of the reference current  $I_{REF}$ , which is determined by the reference voltage and the external setting resistor,  $R_{SET}$ .

$$I_{OUTFS} = 32 \times I_{REF} = 32 \times \frac{V_{REF}}{R_{SET}} \quad (4)$$

In most cases the complementary outputs will drive resistive loads or a terminated transformer. A signal voltage will develop at each output according to:

$$V_{OUT} = I_{OUT} \times R_{LOAD} \quad (5)$$

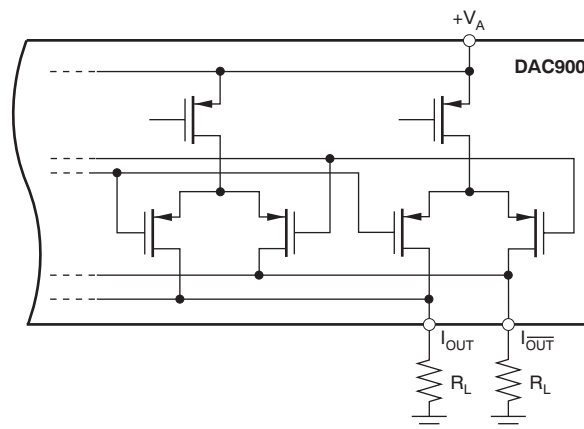
$$V_{\overline{OUT}} = I_{\overline{OUT}} \times R_{LOAD} \quad (6)$$

The value of the load resistance is limited by the output compliance specification of the DAC900. To maintain specified linearity performance, the voltage for  $I_{OUT}$  and  $I_{\overline{OUT}}$  should not exceed the maximum allowable compliance range. The two single-ended output voltages can be combined to find the total differential output swing:

$$V_{OUTDIFF} = V_{OUT} - V_{\overline{OUT}} = \frac{2 \times \text{Code} - 1023}{1024} \times I_{OUTFS} \times R_{LOAD} \quad (7)$$

## Analog Outputs

The DAC900 provides two complementary current outputs,  $I_{OUT}$  and  $I_{\overline{OUT}}$ . The simplified circuit of the analog output stage representing the differential topology is shown in Figure 2. The output impedance of  $200\text{k}\Omega \parallel 12\text{pF}$  for  $I_{OUT}$  and  $I_{\overline{OUT}}$  results from the parallel combination of the differential switches, along with the current sources and associated parasitic capacitances.



**Figure 2. Equivalent Analog Output**

The signal voltage swing that may develop at the two outputs,  $I_{OUT}$  and  $I_{\overline{OUT}}$ , is limited by a negative and positive compliance. The negative limit of  $-1\text{V}$  is given by the breakdown voltage of the CMOS process, and exceeding it

will compromise the reliability of the DAC900, or even cause permanent damage. With the full-scale output set to 20mA, the positive compliance equals 1.25V, operating with  $+V_D = 5V$ . Note that the compliance range decreases to about 1V for a selected output current of  $I_{OUTFS} = 2mA$ . Care should be taken that the configuration of DAC900 does not exceed the compliance range to avoid degradation of the distortion performance and integral linearity.

Best distortion performance is typically achieved with the maximum full-scale output signal limited to approximately 0.5V. This is the case for a 50Ω doubly-terminated load and a 20mA full-scale output current. A variety of loads can be adapted to the output of the DAC900 by selecting a suitable transformer while maintaining optimum voltage levels at  $I_{OUT}$  and  $\overline{I_{OUT}}$ . Furthermore, using the differential output configuration in combination with a transformer will be instrumental for achieving excellent distortion performance. Common-mode errors, such as even-order harmonics or noise, can be substantially reduced. This is particularly the case with high output frequencies and/or output amplitudes below full-scale.

For those applications requiring the optimum distortion and noise performance, it is recommended to select a full-scale output of 20mA. A lower full-scale range down to 2mA may be considered for applications that require a low power consumption, but can tolerate a reduced performance level.

**Table 1. Input Coding vs Analog Output Current**

| INPUT CODE (D9 - D0) | $I_{OUT}$ | $\overline{I_{OUT}}$ |
|----------------------|-----------|----------------------|
| 11 1111 1111         | 20mA      | 0mA                  |
| 10 0000 0000         | 10mA      | 10mA                 |
| 00 0000 0000         | 0mA       | 20mA                 |

## Output Configurations

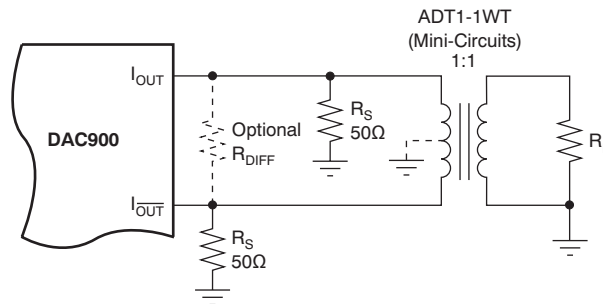
The current output of the DAC900 allows for a variety of configurations, some of which are illustrated in the following sections. As mentioned previously, utilizing the converter's differential outputs will yield the best dynamic performance. Such a differential output circuit may consist of an RF transformer (see [Figure 3](#)) or a differential amplifier configuration (see [Figure 4](#)). The transformer configuration is ideal for most applications with ac coupling, while op amps will be suitable for a DC-coupled configuration.

The single-ended configuration (see [Figure 6](#)) may be considered for applications requiring a unipolar output voltage. Connecting a resistor from either one of the outputs to ground will convert the output current into a ground-referenced voltage signal. To improve on the DC linearity, an I-to-V converter can be used instead. This will result in a negative signal excursion and, therefore, requires a dual supply amplifier.

## Differential With Transformer

Using an RF transformer provides a convenient way of converting the differential output signal into a single-ended signal while achieving excellent dynamic performance (see [Figure 3](#)). The appropriate transformer should be carefully selected based on the output frequency spectrum and impedance requirements. The differential transformer configuration has the benefit of significantly reducing common-mode signals, thus improving the dynamic performance over a wide range of frequencies. Furthermore, by selecting a suitable impedance ratio (winding ratio), the transformer can be used to provide optimum impedance matching while controlling the compliance voltage for the converter outputs. The model shown in [Figure 3](#) has a 1:1 ratio and may be used to interface the DAC900 to a 50Ω load. This results in a 25Ω load for each of the outputs,  $I_{OUT}$  and  $\overline{I_{OUT}}$ . The output signals are ac coupled and inherently isolated because of the transformer's magnetic coupling.

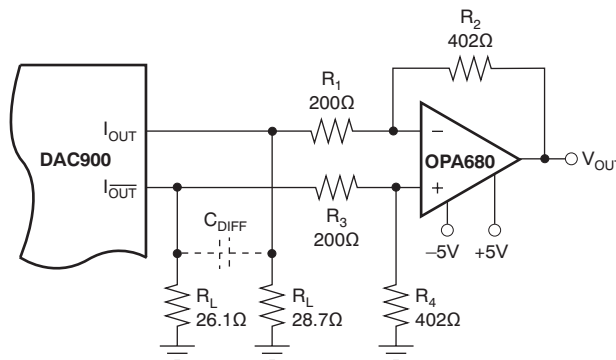
As shown in [Figure 3](#), the transformer's center tap is connected to ground. This forces the voltage swing on  $I_{OUT}$  and  $\overline{I_{OUT}}$  to be centered at 0V. In this case the two resistors,  $R_S$ , may be replaced with one,  $R_{DIFF}$ , or omitted altogether. This approach should only be used if all components are close to each other, and if the  $V_{SWR}$  is not important. A complete power transfer from the DAC output to the load can be realized, but the output compliance range should be observed. Alternatively, if the center tap is not connected, the signal swing will be centered at  $R_S \times I_{OUTFS} / 2$ . However, in this case, the two resistors ( $R_S$ ) must be used to enable the necessary DC-current flow for both outputs.



**Figure 3. Differential Output Configuration Using an RF Transformer**

### Differential Configuration Using an Op Amp

If the application requires a DC-coupled output, a difference amplifier may be considered, as shown in Figure 4. Four external resistors are needed to configure the voltage-feedback op amp OPA680 as a difference amplifier performing the differential to single-ended conversion. Under the shown configuration, the DAC900 generates a differential output signal of 0.5V<sub>p-p</sub> at the load resistors,  $R_L$ . The resistor values shown were selected to result in a symmetric 25Ω loading for each of the current outputs since the input impedance of the difference amplifier is in parallel to resistors  $R_L$ , and should be considered.



**Figure 4. Difference Amplifier Provides Differential to Single-Ended Conversion and DC-Coupling**

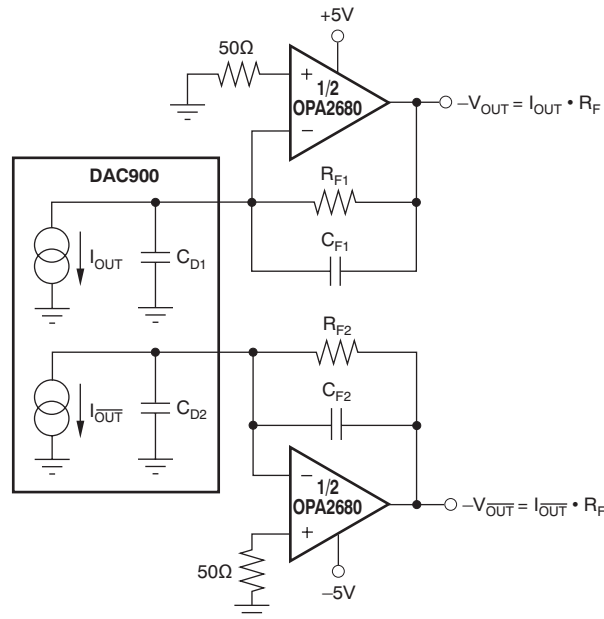
The OPA680 is configured for a gain of two. Therefore, operating the DAC900 with a 20mA full-scale output will produce a voltage output of  $\pm 1V$ . This requires the amplifier to operate off of a dual power supply ( $\pm 5V$ ). The tolerance of the resistors typically sets the limit for the achievable common-mode rejection. An improvement can be obtained by fine tuning resistor  $R_4$ .

This configuration typically delivers a lower level of ac performance than the previously discussed transformer solution because the amplifier introduces another source of distortion. Suitable amplifiers should be selected based on their slew-rate, harmonic distortion, and output swing capabilities. High-speed amplifiers like the OPA680 or OPA687 may be considered. The ac performance of this circuit may be improved by adding a small capacitor,  $C_{DIFF}$ , between the outputs  $I_{OUT}$  and  $I_{OUT-bar}$ , as shown in Figure 4. This will introduce a real pole to create a low-pass filter in order to slewlimit the DACs fast output signal steps that otherwise could drive the amplifier into slew-limitations or into an overload condition; both would cause excessive distortion. The difference amplifier can easily be modified to add a level shift for applications requiring the single-ended output voltage to be unipolar, i.e., swing between 0V and +2V.



## Dual Transimpedance Output Configuration

The circuit example of Figure 5 shows the signal output currents connected into the summing junction of the OPA2680, which is set up as a transimpedance stage, or I-to-V converter. With this circuit, the DAC's output will be kept at a virtual ground, minimizing the effects of output impedance variations, and resulting in the best DC linearity (INL). However, as mentioned previously, the amplifier may be driven into slew-rate limitations, and produce unwanted distortion. This may occur especially at high DAC update rates.



**Figure 5. Dual Voltage-Feedback Amplifier OPA2680 Forms Differential Transimpedance Amplifier**

The DC gain for this circuit is equal to feedback resistor  $R_F$ . At high frequencies, the DAC output impedance ( $C_{D1}$ ,  $C_{D2}$ ) will produce a zero in the noise gain for the OPA2680 that may cause peaking in the closed-loop frequency response.  $C_F$  is added across  $R_F$  to compensate for this noise-gain peaking. To achieve a flat transimpedance frequency response, the pole in each feedback network should be set to:

$$\frac{1}{2\pi R_F C_F} = \frac{\sqrt{GBP}}{4\pi R_F C_D} \quad (8)$$

Where,

GBP = Gain Bandwidth Product of OPA

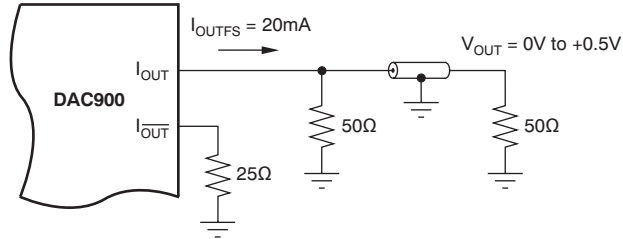
This gives a corner frequency  $f_{-3dB}$  of approximately:

$$f_{-3dB} = \frac{\sqrt{GBP}}{2\pi R_F C_D} \quad (9)$$

The full-scale output voltage is defined by the product of  $I_{OUTFS} \times R_F$ , and has a negative unipolar excursion. To improve on the ac performance of this circuit, adjustment of  $R_F$  and/or  $I_{OUTFS}$  should be considered. Further extensions of this application example may include adding a differential filter at the OPA2680's output followed by a transformer, in order to convert to a single-ended signal.

## Single-Ended Configuration

Using a single load resistor connected to the one of the DAC outputs, a simple current-to-voltage conversion can be accomplished. The circuit in [Figure 6](#) shows a  $50\Omega$  resistor connected to  $I_{OUT}$ , providing the termination of the further connected  $50\Omega$  cable. Therefore, with a nominal output current of  $20\text{mA}$ , the DAC produces a total signal swing of  $0\text{V}$  to  $0.5\text{V}$  into the  $25\Omega$  load.



**Figure 6. Driving a Doubly-Terminated  $50\Omega$  Cable Directly**

Different load resistor values may be selected as long as the output compliance range is not exceeded. Additionally, the output current,  $I_{OUTFS}$ , and the load resistor may be mutually adjusted to provide the desired output signal swing and performance.

## Internal Reference Operation

The DAC900 has an on-chip reference circuit that comprises a 1.24V bandgap reference and a control amplifier. Grounding pin 16,  $\overline{\text{INT}}/\text{EXT}$ , enables the internal reference operation. The full-scale output current,  $I_{\text{OUTFS}}$ , of the DAC900 is determined by the reference voltage,  $V_{\text{REF}}$ , and the value of resistor  $R_{\text{SET}}$ .  $I_{\text{OUTFS}}$  can be calculated by:

$$I_{\text{OUTFS}} = 32 \times I_{\text{REF}} = 32 \times \frac{V_{\text{REF}}}{R_{\text{SET}}} \quad (10)$$

As shown in Figure 7, the external resistor  $R_{\text{SET}}$  connects to the FSA pin (Full-Scale Adjust). The reference control amplifier operates as a V-to-I converter producing a reference current,  $I_{\text{REF}}$ , which is determined by the ratio of  $V_{\text{REF}}$  and  $R_{\text{SET}}$ , as shown in Equation 10. The full-scale output current,  $I_{\text{OUTFS}}$ , results from multiplying  $I_{\text{REF}}$  by a fixed factor of 32.

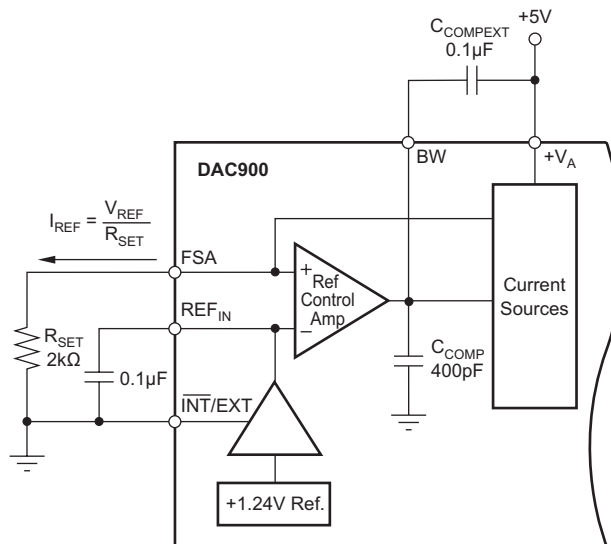


Figure 7. Internal Reference Configuration

Using the internal reference, a 2kΩ resistor value results in a 20mA full-scale output. Resistors with a tolerance of 1% or better should be considered. Selecting higher values, the converter output can be adjusted from 20mA down to 2mA. Operating the DAC900 at lower than 20mA output currents may be desirable for reasons of reducing the total power consumption, improving the distortion performance, or observing the output compliance voltage limitations for a given load condition.

It is recommended to bypass the  $\text{REF}_{\text{IN}}$  pin with a ceramic chip capacitor of 0.1μF or more. The control amplifier is internally compensated, and its small signal bandwidth is approximately 1.3MHz. To improve the ac performance, an additional capacitor ( $C_{\text{COMPEXT}}$ ) should be applied between the BW pin and the analog supply,  $+V_A$ , as shown in Figure 7. Using a 0.1μF capacitor, the small-signal bandwidth and output impedance of the control amplifier is further diminished, reducing the noise that is fed into the current source array. This also helps shunting feedthrough signals more effectively, and improving the noise performance of the DAC900.

## External Reference Operation

The internal reference can be disabled by applying a logic HIGH ( $+V_A$ ) to pin  $\overline{\text{INT}}/\text{EXT}$ . An external reference voltage can then be driven into the  $\text{REF}_{\text{IN}}$  pin, which in this case functions as an input, as shown in Figure 8. The use of an external reference may be considered for applications that require higher accuracy and drift performance, or to add the ability of dynamic gain control.

While a  $0.1\mu\text{F}$  capacitor is recommended to be used with the internal reference, it is optional for the external reference operation. The reference input,  $\text{REF}_{\text{IN}}$ , has a high input impedance ( $1\text{M}\Omega$ ) and can easily be driven by various sources. Note that the voltage range of the external reference should stay within the compliance range of the reference input ( $0.1\text{V}$  to  $1.25\text{V}$ ).

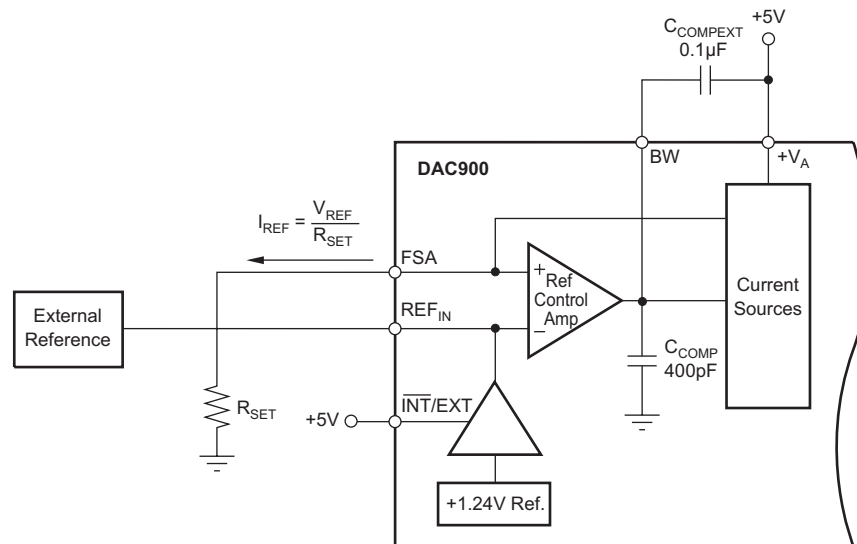


Figure 8. External Reference Configuration

## Digital Inputs

The digital inputs, D0 (LSB) through D9 (MSB) of the DAC900 accepts standard-positive binary coding. The digital input word is latched into a master-slave latch with the rising edge of the clock. The DAC output becomes updated with the following falling clock edge (refer to the specification table and timing diagram for details). The best performance will be achieved with a 50% clock duty cycle, however, the duty cycle may vary as long as the timing specifications are met. Additionally, the setup and hold times may be chosen within their specified limits. All digital inputs are CMOS compatible. The logic thresholds depend on the applied digital supply voltage such that they are set to approximately half the supply voltage;  $V_{\text{th}} = +V_D/2$  ( $\pm 20\%$  tolerance). The DAC900 is designed to operate over a supply range of  $2.7\text{V}$  to  $5.5\text{V}$ .

## Power-Down Mode

The DAC900 features a power-down function that can be used to reduce the supply current to less than  $9\text{mA}$  over the specified supply range of  $2.7\text{V}$  to  $5.5\text{V}$ . Applying a logic HIGH to the PD pin will initiate the power-down mode, while a logic LOW enables normal operation. When left unconnected, an internal active pull-down circuit will enable the normal operation of the converter.

## Grounding, Decoupling, and Layout Information

Proper grounding and bypassing, short lead length, and the use of ground planes are particularly important for high frequency designs. Multilayer pc-boards are recommended for best performance since they offer distinct advantages such as minimization of ground impedance, separation of signal layers by ground layers, etc.

The DAC900 uses separate pins for its analog and digital supply and ground connections. The placement of the decoupling capacitor should be such that the analog supply ( $+V_A$ ) is bypassed to the analog ground (AGND), and the digital supply bypassed to the digital ground (DGND). In most cases 0.1  $\mu$ F ceramic chip capacitors at each supply pin are adequate to provide a low impedance decoupling path. Keep in mind that their effectiveness largely depends on the proximity to the individual supply and ground pins. Therefore, they should be located as close as physically possible to those device leads. Whenever possible, the capacitors should be located immediately under each pair of supply/ ground pins on the reverse side of the pc-board. This layout approach will minimize the parasitic inductance of component leads and pcb runs.

Further supply decoupling with surface mount tantalum capacitors (1  $\mu$ F to 4.7  $\mu$ F) may be added as needed in proximity of the converter.

Low noise is required for all supply and ground connections to the DAC900. It is recommended to use a multilayer pcboard utilizing separate power and ground planes. Mixed signal designs require particular attention to the routing of the different supply currents and signal traces. Generally, analog supply and ground planes should only extend into analog signal areas, such as the DAC output signal and the reference signal. Digital supply and ground planes must be confined to areas covering digital circuitry, including the digital input lines connecting to the converter, as well as the clock signal. The analog and digital ground planes should be joined together at one point underneath the DAC. This can be realized with a short track of approximately 1/8" (3mm).

The power to the DAC900 should be provided through the use of wide pcb runs or planes. Wide runs will present a lower trace impedance, further optimizing the supply decoupling. The analog and digital supplies for the converter should only be connected together at the supply connector of the pc-board. In the case of only one supply voltage being available to power the DAC, ferrite beads along with bypass capacitors may be used to create an LC filter. This will generate a low-noise analog supply voltage that can then be connected to the  $+V_A$  supply pin of the DAC900.

While designing the layout, it is important to keep the analog signal traces separate from any digital line, in order to prevent noise coupling onto the analog signal path.

**PACKAGING INFORMATION**

| Orderable Device | Status <sup>(1)</sup> | Package Type | Package Drawing | Pins | Package Qty | Eco Plan <sup>(2)</sup>    | Lead/<br>Ball Finish | MSL Peak Temp <sup>(3)</sup> | Samples<br>(Requires Login) |
|------------------|-----------------------|--------------|-----------------|------|-------------|----------------------------|----------------------|------------------------------|-----------------------------|
| DAC900TPWRQ1     | ACTIVE                | TSSOP        | PW              | 28   | 2500        | Green (RoHS<br>& no Sb/Br) | CU NIPDAU            | Level-2-260C-1 YEAR          |                             |

<sup>(1)</sup> The marketing status values are defined as follows:

**ACTIVE:** Product device recommended for new designs.

**LIFEBUY:** TI has announced that the device will be discontinued, and a lifetime-buy period is in effect.

**NRND:** Not recommended for new designs. Device is in production to support existing customers, but TI does not recommend using this part in a new design.

**PREVIEW:** Device has been announced but is not in production. Samples may or may not be available.

**OBSOLETE:** TI has discontinued the production of the device.

<sup>(2)</sup> Eco Plan - The planned eco-friendly classification: Pb-Free (RoHS), Pb-Free (RoHS Exempt), or Green (RoHS & no Sb/Br) - please check <http://www.ti.com/productcontent> for the latest availability information and additional product content details.

**TBD:** The Pb-Free/Green conversion plan has not been defined.

**Pb-Free (RoHS):** TI's terms "Lead-Free" or "Pb-Free" mean semiconductor products that are compatible with the current RoHS requirements for all 6 substances, including the requirement that lead not exceed 0.1% by weight in homogeneous materials. Where designed to be soldered at high temperatures, TI Pb-Free products are suitable for use in specified lead-free processes.

**Pb-Free (RoHS Exempt):** This component has a RoHS exemption for either 1) lead-based flip-chip solder bumps used between the die and package, or 2) lead-based die adhesive used between the die and leadframe. The component is otherwise considered Pb-Free (RoHS compatible) as defined above.

**Green (RoHS & no Sb/Br):** TI defines "Green" to mean Pb-Free (RoHS compatible), and free of Bromine (Br) and Antimony (Sb) based flame retardants (Br or Sb do not exceed 0.1% by weight in homogeneous material)

<sup>(3)</sup> MSL, Peak Temp. -- The Moisture Sensitivity Level rating according to the JEDEC industry standard classifications, and peak solder temperature.

**Important Information and Disclaimer:** The information provided on this page represents TI's knowledge and belief as of the date that it is provided. TI bases its knowledge and belief on information provided by third parties, and makes no representation or warranty as to the accuracy of such information. Efforts are underway to better integrate information from third parties. TI has taken and continues to take reasonable steps to provide representative and accurate information but may not have conducted destructive testing or chemical analysis on incoming materials and chemicals. TI and TI suppliers consider certain information to be proprietary, and thus CAS numbers and other limited information may not be available for release.

In no event shall TI's liability arising out of such information exceed the total purchase price of the TI part(s) at issue in this document sold by TI to Customer on an annual basis.

**OTHER QUALIFIED VERSIONS OF DAC900-Q1 :**

- Catalog: [DAC900](#)

NOTE: Qualified Version Definitions:

- Catalog - TI's standard catalog product

**TAPE AND REEL INFORMATION**
**REEL DIMENSIONS**

**TAPE DIMENSIONS**


|    |   |
|----|---|
| A0 | Dimension designed to accommodate the component width     |
| B0 | Dimension designed to accommodate the component length    |
| K0 | Dimension designed to accommodate the component thickness |
| W  | Overall width of the carrier tape                         |
| P1 | Pitch between successive cavity centers                   |

**TAPE AND REEL INFORMATION**

\*All dimensions are nominal

| Device       | Package Type | Package Drawing | Pins | SPQ  | Reel Diameter (mm) | Reel Width W1 (mm) | A0 (mm) | B0 (mm) | K0 (mm) | P1 (mm) | W (mm) | Pin1 Quadrant |
|--------------|--------------|-----------------|------|------|--------------------|--------------------|---------|---------|---------|---------|--------|---------------|
| DAC900TPWRQ1 | TSSOP        | PW              | 28   | 2500 | 330.0              | 16.4               | 6.9     | 10.2    | 1.8     | 12.0    | 16.0   | Q1            |

**TAPE AND REEL BOX DIMENSIONS**



\*All dimensions are nominal

| Device       | Package Type | Package Drawing | Pins | SPQ  | Length (mm) | Width (mm) | Height (mm) |
|--------------|--------------|-----------------|------|------|-------------|------------|-------------|
| DAC900TPWRQ1 | TSSOP        | PW              | 28   | 2500 | 367.0       | 367.0      | 38.0        |



PW (R-PDSO-G28)

PLASTIC SMALL OUTLINE

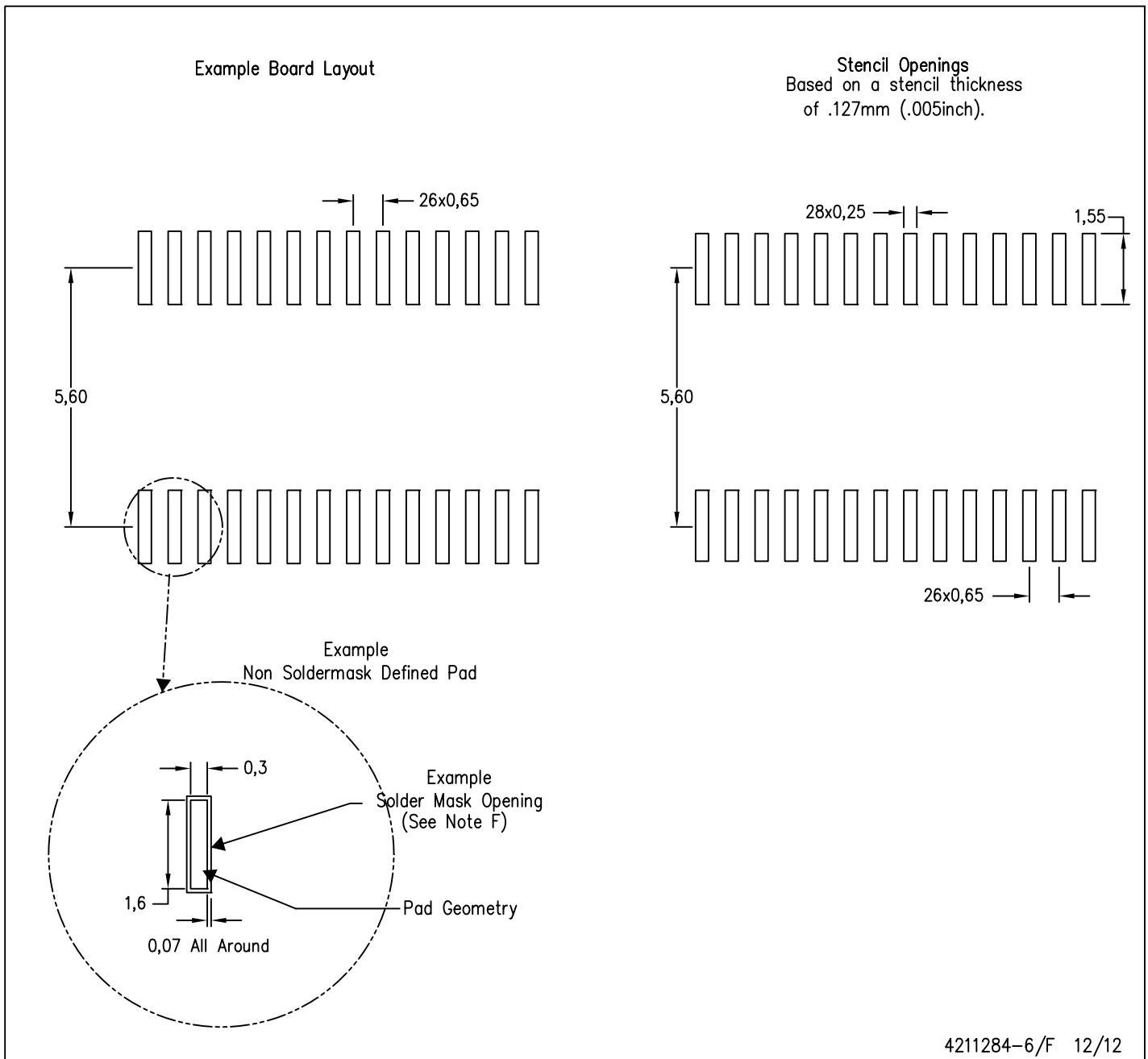


4040064-7/G 02/11

- NOTES:
- A. All linear dimensions are in millimeters. Dimensioning and tolerancing per ASME Y14.5M-1994.
  - B. This drawing is subject to change without notice.
  - C. Body length does not include mold flash, protrusions, or gate burrs. Mold flash, protrusions, or gate burrs shall not exceed 0,15 each side.
  - D. Body width does not include interlead flash. Interlead flash shall not exceed 0,25 each side.
  - E. Falls within JEDEC MO-153

PW (R-PDSO-G28)

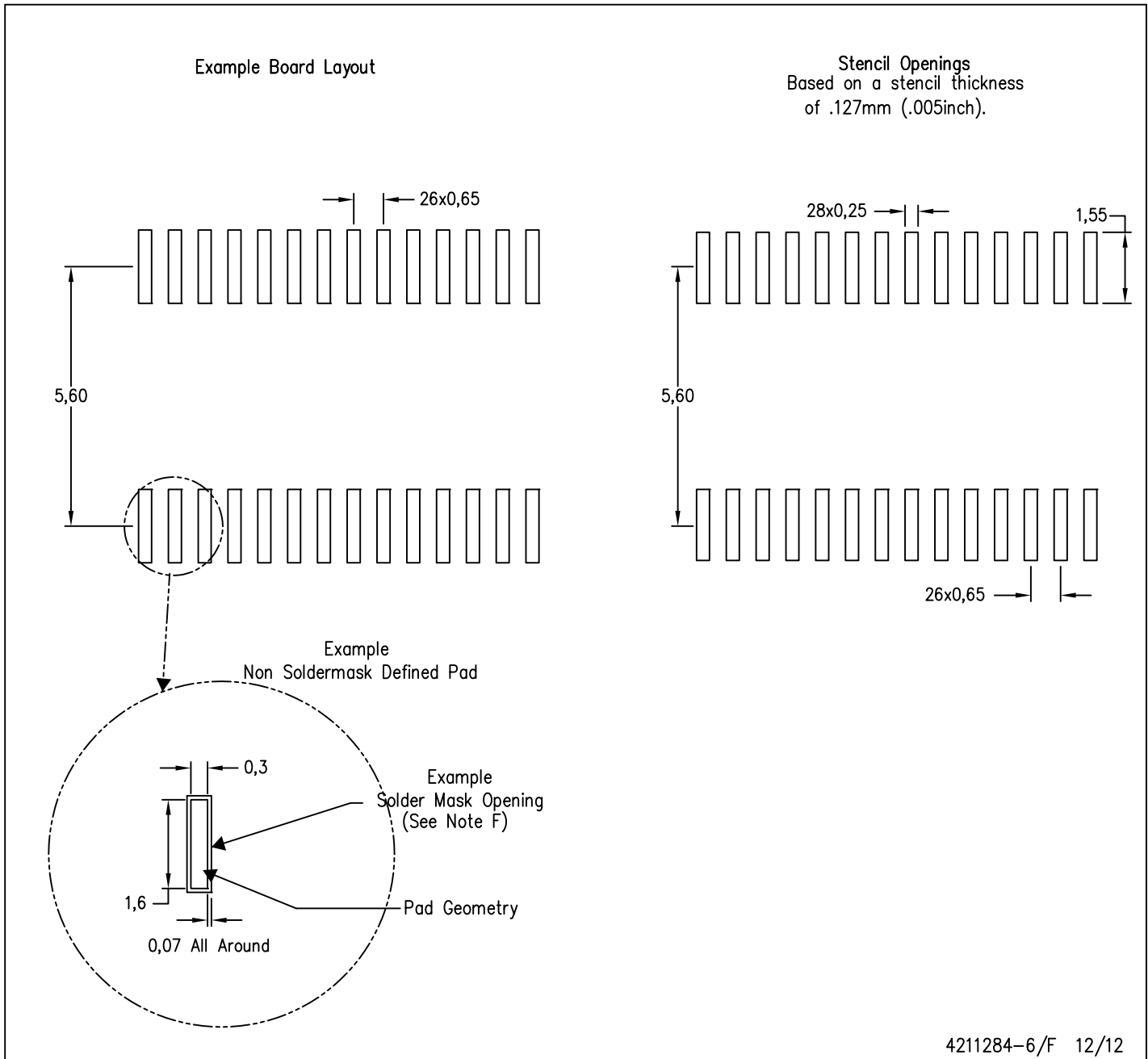
PLASTIC SMALL OUTLINE



- NOTES:
- A. All linear dimensions are in millimeters.
  - B. This drawing is subject to change without notice.
  - C. Publication IPC-7351 is recommended for alternate design.
  - D. Laser cutting apertures with trapezoidal walls and also rounding corners will offer better paste release. Customers should contact their board assembly site for stencil design recommendations. Refer to IPC-7525 for other stencil recommendations.
  - E. Customers should contact their board fabrication site for solder mask tolerances between and around signal pads.

PW (R-PDSO-G28)

PLASTIC SMALL OUTLINE



- NOTES:
- A. All linear dimensions are in millimeters.
  - B. This drawing is subject to change without notice.
  - C. Publication IPC-7351 is recommended for alternate design.
  - D. Laser cutting apertures with trapezoidal walls and also rounding corners will offer better paste release. Customers should contact their board assembly site for stencil design recommendations. Refer to IPC-7525 for other stencil recommendations.
  - E. Customers should contact their board fabrication site for solder mask tolerances between and around signal pads.

## IMPORTANT NOTICE

Texas Instruments Incorporated and its subsidiaries (TI) reserve the right to make corrections, enhancements, improvements and other changes to its semiconductor products and services per JESD46, latest issue, and to discontinue any product or service per JESD48, latest issue. Buyers should obtain the latest relevant information before placing orders and should verify that such information is current and complete. All semiconductor products (also referred to herein as "components") are sold subject to TI's terms and conditions of sale supplied at the time of order acknowledgment.

TI warrants performance of its components to the specifications applicable at the time of sale, in accordance with the warranty in TI's terms and conditions of sale of semiconductor products. Testing and other quality control techniques are used to the extent TI deems necessary to support this warranty. Except where mandated by applicable law, testing of all parameters of each component is not necessarily performed.

TI assumes no liability for applications assistance or the design of Buyers' products. Buyers are responsible for their products and applications using TI components. To minimize the risks associated with Buyers' products and applications, Buyers should provide adequate design and operating safeguards.

TI does not warrant or represent that any license, either express or implied, is granted under any patent right, copyright, mask work right, or other intellectual property right relating to any combination, machine, or process in which TI components or services are used. Information published by TI regarding third-party products or services does not constitute a license to use such products or services or a warranty or endorsement thereof. Use of such information may require a license from a third party under the patents or other intellectual property of the third party, or a license from TI under the patents or other intellectual property of TI.

Reproduction of significant portions of TI information in TI data books or data sheets is permissible only if reproduction is without alteration and is accompanied by all associated warranties, conditions, limitations, and notices. TI is not responsible or liable for such altered documentation. Information of third parties may be subject to additional restrictions.

Resale of TI components or services with statements different from or beyond the parameters stated by TI for that component or service voids all express and any implied warranties for the associated TI component or service and is an unfair and deceptive business practice. TI is not responsible or liable for any such statements.

Buyer acknowledges and agrees that it is solely responsible for compliance with all legal, regulatory and safety-related requirements concerning its products, and any use of TI components in its applications, notwithstanding any applications-related information or support that may be provided by TI. Buyer represents and agrees that it has all the necessary expertise to create and implement safeguards which anticipate dangerous consequences of failures, monitor failures and their consequences, lessen the likelihood of failures that might cause harm and take appropriate remedial actions. Buyer will fully indemnify TI and its representatives against any damages arising out of the use of any TI components in safety-critical applications.

In some cases, TI components may be promoted specifically to facilitate safety-related applications. With such components, TI's goal is to help enable customers to design and create their own end-product solutions that meet applicable functional safety standards and requirements. Nonetheless, such components are subject to these terms.

No TI components are authorized for use in FDA Class III (or similar life-critical medical equipment) unless authorized officers of the parties have executed a special agreement specifically governing such use.

Only those TI components which TI has specifically designated as military grade or "enhanced plastic" are designed and intended for use in military/aerospace applications or environments. Buyer acknowledges and agrees that any military or aerospace use of TI components which have **not** been so designated is solely at the Buyer's risk, and that Buyer is solely responsible for compliance with all legal and regulatory requirements in connection with such use.

TI has specifically designated certain components as meeting ISO/TS16949 requirements, mainly for automotive use. In any case of use of non-designated products, TI will not be responsible for any failure to meet ISO/TS16949.

### Products

|                              |  |
|------------------------------|--|
| Audio                        | <a href="http://www.ti.com/audio">www.ti.com/audio</a>                               |
| Amplifiers                   | <a href="http://amplifier.ti.com">amplifier.ti.com</a>                               |
| Data Converters              | <a href="http://dataconverter.ti.com">dataconverter.ti.com</a>                       |
| DLP® Products                | <a href="http://www.dlp.com">www.dlp.com</a>   |
| DSP                          | <a href="http://dsp.ti.com">dsp.ti.com</a>   |
| Clocks and Timers            | <a href="http://www.ti.com/clocks">www.ti.com/clocks</a>                             |
| Interface                    | <a href="http://interface.ti.com">interface.ti.com</a>                               |
| Logic                        | <a href="http://logic.ti.com">logic.ti.com</a>                                       |
| Power Mgmt                   | <a href="http://power.ti.com">power.ti.com</a>                                       |
| Microcontrollers             | <a href="http://microcontroller.ti.com">microcontroller.ti.com</a>                   |
| RFID                         | <a href="http://www.ti-rfid.com">www.ti-rfid.com</a>                                 |
| OMAP Applications Processors | <a href="http://www.ti.com/omap">www.ti.com/omap</a>                                 |
| Wireless Connectivity        | <a href="http://www.ti.com/wirelessconnectivity">www.ti.com/wirelessconnectivity</a> |

### Applications

|                               |  |
|-------------------------------|--|
| Automotive and Transportation | <a href="http://www.ti.com/automotive">www.ti.com/automotive</a>                         |
| Communications and Telecom    | <a href="http://www.ti.com/communications">www.ti.com/communications</a>                 |
| Computers and Peripherals     | <a href="http://www.ti.com/computers">www.ti.com/computers</a>                           |
| Consumer Electronics          | <a href="http://www.ti.com/consumer-apps">www.ti.com/consumer-apps</a>                   |
| Energy and Lighting           | <a href="http://www.ti.com/energy">www.ti.com/energy</a>                                 |
| Industrial                    | <a href="http://www.ti.com/industrial">www.ti.com/industrial</a>                         |
| Medical                       | <a href="http://www.ti.com/medical">www.ti.com/medical</a>                               |
| Security                      | <a href="http://www.ti.com/security">www.ti.com/security</a>                             |
| Space, Avionics and Defense   | <a href="http://www.ti.com/space-avionics-defense">www.ti.com/space-avionics-defense</a> |
| Video and Imaging             | <a href="http://www.ti.com/video">www.ti.com/video</a>                                   |

### TI E2E Community

[e2e.ti.com](http://e2e.ti.com)