



## Precision Monolithic Quad SPST Low-Voltage CMOS Analog Switches

### FEATURES

- 2.7- thru 12-V Single Supply or  $\pm 3$ - thru  $\pm 6$ -Dual Supply
- On-Resistance— $r_{DS(on)}$ : 17  $\Omega$
- Fast Switching— $t_{ON}$ : 19 ns  
— $t_{OFF}$ : 12 ns
- TTL, CMOS Compatible
- Low Leakage: 0.25 nA
- 2000-V ESD Protection

### BENEFITS

- Widest Dynamic Range
- Low Signal Errors and Distortion
- Break-Before-Make Switching Action
- Simple Interfacing

### APPLICATIONS

- Precision Automatic Test Equipment
- Precision Data Acquisition
- Communication Systems
- Battery Powered Systems
- Computer Peripherals
- SDSL, DSLAM
- Audio and Video Signal Routing

### DESCRIPTION

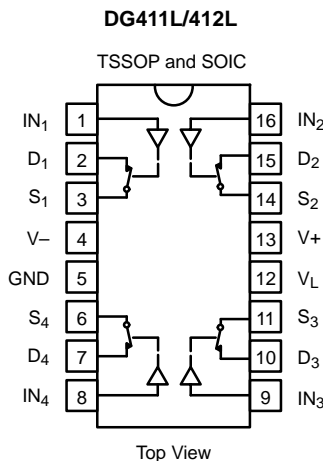
The DG411L/412L/413L are low voltage pin-for-pin compatible companion devices to the industry standard DG411/412/413 with improved performance

Using BiCMOS wafer fabrication technology allows the DG411L/412L/413L to operate on single and dual supplies. Single supply voltage ranges from 3 to 12 V while dual supply operation is recommended with  $\pm 3$  to  $\pm 6$  V.

Combining high speed ( $t_{ON}$ : 19 ns), flat  $r_{DS(on)}$  over the analog signal range (5  $\Omega$ ), minimal insertion lose ( $-3$  dB at 280 MHz), and excellent crosstalk and off-isolation performance ( $-50$  dB at 50 MHz), the DG411L/412L/413L are ideally suited for audio and video signal switching.

The DG411L and DG412L respond to opposite control logic as shown in the Truth Table. The DG413L has two normally open and two normally closed switches.

### FUNCTIONAL BLOCK DIAGRAM AND PIN CONFIGURATION

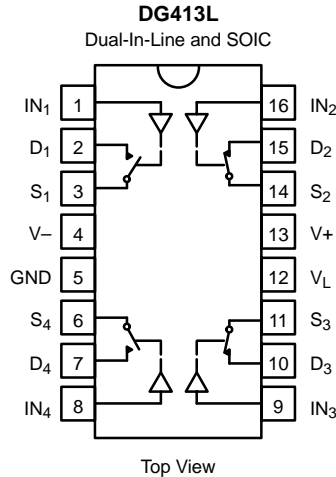


TRUTH TABLE		
Logic	DG411L	DG412L
0	ON	OFF
1	OFF	ON

Logic "0"  $\leq 0.8$  V  
Logic "1"  $\geq 2.4$  V



**FUNCTIONAL BLOCK DIAGRAM AND PIN CONFIGURATION**



TRUTH TABLE		
Logic	SW <sub>1</sub> , SW <sub>4</sub>	SW <sub>2</sub> , SW <sub>3</sub>
0	OFF	ON
1	ON	OFF

Logic "0" ≤ 0.8 V  
Logic "1" ≥ 2.4 V

ORDERING INFORMATION		
Temp Range	Package	Part Number
<b>DG411L/412L</b>		
-40 to 85°C	16-Pin Narrow SOIC	DG411LDY
		DG412LDY
	16-Pin TSSOP	DG411LDQ
		DG412LDQ
<b>DG413L</b>		
-40 to 85°C	16-Pin Narrow SOIC	DG413LDY
	16-Pin TSSOP	DG413LDQ

**ABSOLUTE MAXIMUM RATINGS**

V+ to V-	-0.3 TO 13 V
GND to V-	7 V
V <sub>L</sub>	(GND - 0.3 V) to (V+ + 0.3 V)
I <sub>N</sub> <sup>a</sup> , V <sub>S</sub> , V <sub>D</sub>	-0.3 to (V+ + 0.3 V) or 30 mA, whichever occurs first
Continuous Current (Any Terminal)	30 mA
Peak Current, S or D (Pulsed 1 ms, 10% Duty Cycle)	100 mA
Storage Temperature (DQ, DY Suffix)	-65 to 125°C

Power Dissipation (Package) <sup>b</sup>	
16-Pin TSSOP <sup>c</sup>	450 mW
16-Pin SOIC <sup>d</sup>	650 mW

Notes:

- a. Signals on S<sub>X</sub>, D<sub>X</sub>, or IN<sub>X</sub> exceeding V+ or V- will be clamped by internal diodes. Limit forward diode current to maximum current ratings.
- b. All leads welded or soldered to PC Board.
- c. Derate 7 mW/°C above 75°C
- d. Derate 7.6 mW/°C above 75°C



SPECIFICATIONS <sup>a</sup> (SINGLE SUPPLY 12 V)							
Parameter	Symbol	Test Conditions Unless Specified $V_+ = 12\text{ V}, V_- = 0\text{ V}$ $V_L = 5\text{ V}, V_{IN} = 2.4\text{ V}, 0.8\text{ V}^f$	Temp <sup>b</sup>	Limits -40 to 85°C			Unit
				Min <sup>d</sup>	Typ <sup>c</sup>	Max <sup>d</sup>	
<b>Analog Switch</b>							
Analog Signal Range <sup>e</sup>	$V_{ANALOG}$		Full	0		12	V
Drain-Source On-Resistance	$r_{DS(on)}$	$V_+ = 10.8\text{ V}, V_- = 0\text{ V}$ $I_S = -10\text{ mA}, V_D = 2/9\text{ V}$	Room Full		20	30 40	$\Omega$
Switch Off Leakage Current	$I_{S(off)}$	$V_D = 1/11\text{ V}, V_S = 11/1\text{ V}$	Room Full	-0.1 -2.5	$\pm 0.01$	0.1 2.5	nA
	$I_{D(off)}$		Room Full	-0.1 -2.5	$\pm 0.01$	0.1 2.5	
Channel On Leakage Current	$I_{D(on)}$	$V_S = V_D = 11/1\text{ V}$	Room Full	-0.2 -5	$\pm 0.01$	0.2 5	
<b>Digital Control</b>							
Input Current, $V_{IN}$ Low	$I_{IL}$	$V_{IN}$ Under Test = 0.8 V	Full	-1	0.01	1	$\mu\text{A}$
Input Current, $V_{IN}$ High	$I_{IH}$	$V_{IN}$ Under Test = 2.4 V	Full	-1		1	
<b>Dynamic Characteristics</b>							
Turn-On Time	$t_{ON}$	$R_L = 300\ \Omega, C_L = 35\text{ pF}$ $V_S = 5\text{ V}$ See Figure 2	Room Full		20	50 60	ns
Turn-Off Time	$t_{OFF}$		Room Full		12	30 40	
Break-Before-Make Time Delay	$t_D$	DG413L Only, $V_S = 5\text{ V}$ $R_L = 300\ \Omega, C_L = 35\text{ pF}$	Room		6		
Charge Injection <sup>e</sup>	Q	$V_g = 0\text{ V}, R_g = 0\ \Omega, C_L = 10\text{ nF}$	Room		5		pC
Off Isolation <sup>e</sup>	OIRR	$R_L = 50\ \Omega, C_L = 5\text{ pF},$ $f = 1\text{ MHz}$	Room		71		dB
Channel-to-Channel Crosstalk <sup>e</sup>	$X_{TALK}$		Room		95		
Source Off Capacitance <sup>e</sup>	$C_{S(off)}$	f = 1 MHz	Room		5		pF
Drain Off Capacitance <sup>e</sup>	$C_{D(off)}$		Room		6		
Channel On Capacitance <sup>e</sup>	$C_{D(on)}$		Room		15		
<b>Power Supplies</b>							
Positive Supply Current	$I_+$	$V_{IN} = 0\text{ or }5\text{ V}$	Room Full		0.02	1 5	$\mu\text{A}$
Negative Supply Current	$I_-$		Room Full	-1 -5	-0.002		
Logic Supply Current	$I_L$		Room Full		0.002	1 5	
Ground Current	$I_{GND}$		Room Full	-1 -5	-0.002		

SPECIFICATIONS <sup>a</sup> (DUAL SUPPLY $\pm 5\text{ V}$ )							
Parameter	Symbol	Test Conditions Unless Specified $V_+ = 5\text{ V}, V_- = -5\text{ V}$ $V_L = 5\text{ V}, V_{IN} = 2.4\text{ V}, 0.8\text{ V}^f$	Temp <sup>b</sup>	Limits -40 to 85°C			Unit
				Min <sup>d</sup>	Typ <sup>c</sup>	Max <sup>d</sup>	
<b>Analog Switch</b>							
Analog Signal Range <sup>e</sup>	$V_{ANALOG}$		Full	-5		5	V
Drain-Source On-Resistance	$r_{DS(on)}$	$V_+ = 5\text{ V}, V_- = -5\text{ V}$ $I_S = -10\text{ mA}, V_D = \pm 3.5\text{ V}$	Room Full		20	30 40	$\Omega$
Switch Off Leakage Current <sup>g</sup>	$I_{S(off)}$	$V_+ = 5\text{ V}, V_- = -5\text{ V}$ $V_D = \pm 4.5\text{ V}, V_S = \mp 4.5\text{ V}$	Room Full	-0.1 -2.5	$\pm 0.01$ $\pm 0.5$	0.1 2.5	nA
	$I_{D(off)}$		Room Full	-0.1 -2.5	$\pm 0.01$	0.1 2.5	
Channel On Leakage Current <sup>g</sup>	$I_{D(on)}$	$V_+ = 5\text{ V}, V_- = -5\text{ V}$ $V_S = V_D = \pm 4.5\text{ V}$	Room Full	-0.2 -5	$\pm 0.01$ $\pm 0.5$	0.2 5	



SPECIFICATIONS <sup>a</sup> (DUAL SUPPLY ± 5 V)							
Parameter	Symbol	Test Conditions Unless Specified $V_+ = 5\text{ V}, V_- = -5\text{ V}$ $V_L = 5\text{ V}, V_{IN} = 2.4\text{ V}, 0.8\text{ V}^f$	Temp <sup>b</sup>	Limits -40 to 85°C			Unit
				Min <sup>d</sup>	Typ <sup>c</sup>	Max <sup>d</sup>	
<b>Digital Control</b>							
Input Current, $V_{IN}$ Low <sup>e</sup>	$I_{IL}$	$V_{IN}$ Under Test = 0.8 V	Full	-1	0.05	1	μA
Input Current, $V_{IN}$ High <sup>e</sup>	$I_{IH}$	$V_{IN}$ Under Test = 2.4 V	Full	-1	0.05	1	
<b>Dynamic Characteristics</b>							
Turn-On Time	$t_{ON}$	$R_L = 300\ \Omega, C_L = 35\text{ pF}$ $V_S = \pm 3.5\text{ V}$ See Figure 2	Room Full		21	50	ns
Turn-Off Time	$t_{OFF}$		Room Full		16	35	
Break-Before-Make Time Delay <sup>e</sup>	$t_D$	DG413L Only, $V_S = 3.5\text{ V}$ $R_L = 300\ \Omega, C_L = 35\text{ pF}$	Room		6		
Charge Injection <sup>e</sup>	Q	$V_g = 0\text{ V}, R_g = 0\ \Omega, C_L = 10\text{ nF}$	Room		5		pC
Off Isolation <sup>e</sup>	OIRR	$R_L = 50\ \Omega, C_L = 5\text{ pF},$ $f = 1\text{ MHz}$	Room		68		dB
Channel-to-Channel Crosstalk <sup>e</sup>	$X_{TALK}$		Room		85		
Source Off Capacitance <sup>e</sup>	$C_{S(off)}$	$f = 1\text{ MHz}$	Room		9		pF
Drain Off Capacitance <sup>e</sup>	$C_{D(off)}$		Room		9		
Channel On Capacitance <sup>e</sup>	$C_{D(on)}$		Room		20		
<b>Power Supplies</b>							
Positive Supply Current <sup>e</sup>	$I_+$	$V_{IN} = 0\text{ or }5\text{ V}$	Room Full		0.03	1	μA
Negative Supply Current <sup>e</sup>	$I_-$		Room Full	-1 -5	-0.002		
Logic Supply Current <sup>e</sup>	$I_L$		Room Full		0.002	1	
Ground Current <sup>e</sup>	$I_{GND}$		Room Full	-1 -5	-0.002		

SPECIFICATIONS <sup>a</sup> (SINGLE SUPPLY 5 V)								
Parameter	Symbol	Test Conditions Unless Specified $V_+ = 5\text{ V}, V_- = 0\text{ V}$ $V_L = 5\text{ V}, V_{IN} = 2.4\text{ V}, 0.8\text{ V}^f$	Temp <sup>b</sup>	Limits -40 to 85°C			Unit	
				Min <sup>d</sup>	Typ <sup>c</sup>	Max <sup>d</sup>		
<b>Analog Switch</b>								
Analog Signal Range <sup>e</sup>	$V_{ANALOG}$		Full			5	V	
Drain-Source On-Resistance <sup>e</sup>	$r_{DS(on)}$	$V_+ = 4.5\text{ V}, I_S = -5\text{ mA}$ $V_D = 1\text{ V}, 3.5\text{ V}$	Room Full		35	50	75	Ω
<b>Dynamic Characteristics</b>								
Turn-On Time <sup>e</sup>	$t_{ON}$	$R_L = 300\ \Omega, C_L = 35\text{ pF}$ $V_S = 3.5\text{ V}$ , See Figure 2	Room Hot		27	50	ns	
Turn-Off Time <sup>e</sup>	$t_{OFF}$		Room Hot		15	30		40
Break-Before-Make Time Delay <sup>e</sup>	$t_D$	DG413L Only, $V_S = 3.5\text{ V}$ $R_L = 300\ \Omega, C_L = 35\text{ pF}$	Room		6			
Charge Injection <sup>e</sup>	Q	$V_g = 0\text{ V}, R_g = 0\ \Omega, C_L = 10\text{ nF}$	Room		0.5		pC	



SPECIFICATIONS <sup>a</sup> (SINGLE SUPPLY 5 V)							
Parameter	Symbol	Test Conditions Unless Specified $V_+ = 5\text{ V}, V_- = 0\text{ V}$ $V_L = 5\text{ V}, V_{IN} = 2.4\text{ V}, 0.8\text{ V}^f$	Temp <sup>b</sup>	Limits -40 to 85°C			Unit
				Min <sup>d</sup>	Typ <sup>c</sup>	Max <sup>d</sup>	
<b>Power Supplies</b>							
Positive Supply Current <sup>e</sup>	I <sup>+</sup>	V <sub>IN</sub> = 0 or 5 V	Room Hot		0.02	1 5	μA
Negative Supply Current <sup>e</sup>	I <sup>-</sup>		Room Hot	-1 -5	-0.002		
Logic Supply Current <sup>e</sup>	I <sub>L</sub>		Room Hot		0.002	1 5	
Ground Current <sup>e</sup>	I <sub>GND</sub>		Room Hot	-1 -5	-0.002		

SPECIFICATIONS <sup>a</sup> (SINGLE SUPPLY 3 V)							
Parameter	Symbol	Test Conditions Unless Specified $V_+ = 3\text{ V}, V_- = 0\text{ V}$ $V_L = 3\text{ V}, V_{IN} = 0.4\text{ V}^f$	Temp <sup>b</sup>	Limits -40 to 85°C			Unit
				Min <sup>d</sup>	Typ <sup>c</sup>	Max <sup>d</sup>	
<b>Analog Switch</b>							
Analog Signal Range <sup>e</sup>	V <sub>ANALOG</sub>		Full	0		3	V
Drain-Source On-Resistance	r <sub>DS(on)</sub>	V <sub>+</sub> = 2.7 V, V <sub>-</sub> = 0 V I <sub>S</sub> = -10 mA, V <sub>D</sub> = 0.5, 2.2 V	Room Full		65	80 100	Ω
Switch Off Leakage Current <sup>g</sup>	I <sub>S(off)</sub>	V <sub>+</sub> = 3 V, V <sub>-</sub> = 0 V V <sub>D</sub> = 1, 2 V, V <sub>S</sub> = 2, 1 V	Room Full	-0.1 -2.5	±0.01	0.1 2.5	nA
	I <sub>D(off)</sub>		Room Full	-0.1 -2.5	±0.01	0.1 2.5	
Channel On Leakage Current <sup>g</sup>	I <sub>D(on)</sub>	V <sub>+</sub> = 3 V, V <sub>-</sub> = 0 V V <sub>S</sub> = V <sub>D</sub> = 1, 2 V	Room Full	-0.2 -5	±0.01	0.2 5	
<b>Digital Control</b>							
Input Current, V <sub>IN</sub> Low	I <sub>IL</sub>	V <sub>IN</sub> Under Test = 0.4 V	Full	-1	0.005	1	μA
Input Current, V <sub>IN</sub> High	I <sub>IH</sub>	V <sub>IN</sub> Under Test = 2.4 V	Full	-1	0.005	1	
<b>Dynamic Characteristics</b>							
Turn-On Time	t <sub>ON</sub>	R <sub>L</sub> = 300 Ω, C <sub>L</sub> = 35 pF V <sub>S</sub> = 1.5 V See Figure 2	Room Full		50	85 110	ns
Turn-Off Time	t <sub>OFF</sub>		Room Full		30	60 85	
Break-Before-Make Time Delay	t <sub>D</sub>	DG413L Only, V <sub>S</sub> = 1.5 V R <sub>L</sub> = 300 Ω, C <sub>L</sub> = 35 pF	Room		6		
Charge Injection <sup>e</sup>	Q	V <sub>g</sub> = 0 V, R <sub>g</sub> = 0 Ω, C <sub>L</sub> = 10 nF	Room		1		pC
Off Isolation <sup>e</sup>	OIRR	R <sub>L</sub> = 50 Ω, C <sub>L</sub> = 5 pF, f = 1 MHz	Room		68		dB
Channel-to-Channel Crosstalk <sup>e</sup>	X <sub>TALK</sub>		Room		85		
Source Off Capacitance <sup>e</sup>	C <sub>S(off)</sub>	f = 1 MHz	Room		6		pF
Drain Off Capacitance <sup>e</sup>	C <sub>D(off)</sub>		Room		6		
Channel On Capacitance <sup>e</sup>	C <sub>D(on)</sub>		Room		20		

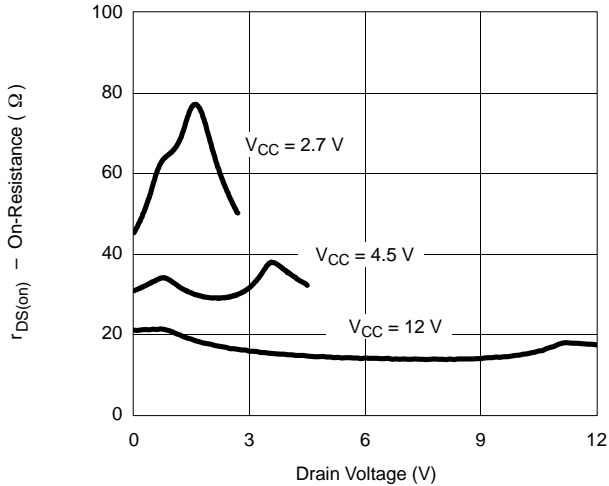
Notes:

- Refer to PROCESS OPTION FLOWCHART.
- Room = 25°C, Full = as determined by the operating temperature suffix.
- Typical values are for DESIGN AID ONLY, not guaranteed nor subject to production testing.
- The algebraic convention whereby the most negative value is a minimum and the most positive a maximum, is used in this data sheet.
- Guaranteed by design, not subject to production test.
- V<sub>IN</sub> = input voltage to perform proper function.
- Leakage parameters are guaranteed by worst case test conditions and not subject to test.

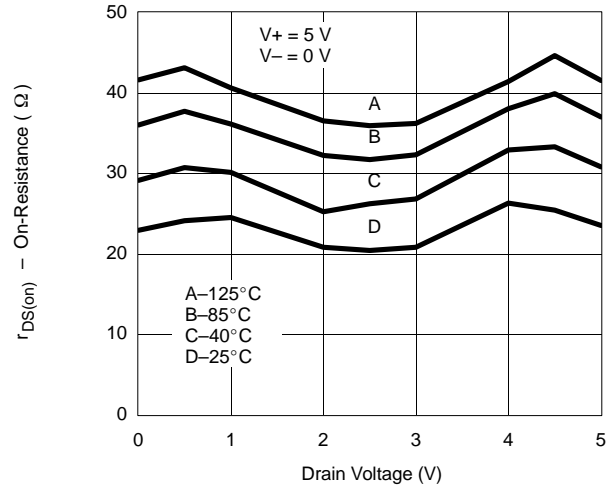


### TYPICAL CHARACTERISTICS (25°C UNLESS NOTED)

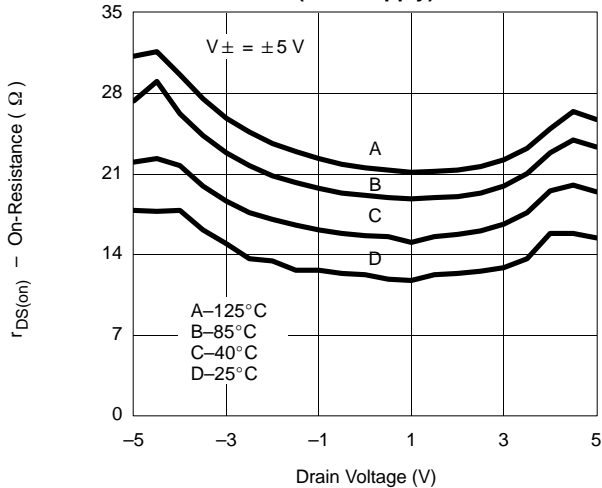
$r_{DS(on)}$  vs. Drain Voltage  
(Single Supply)



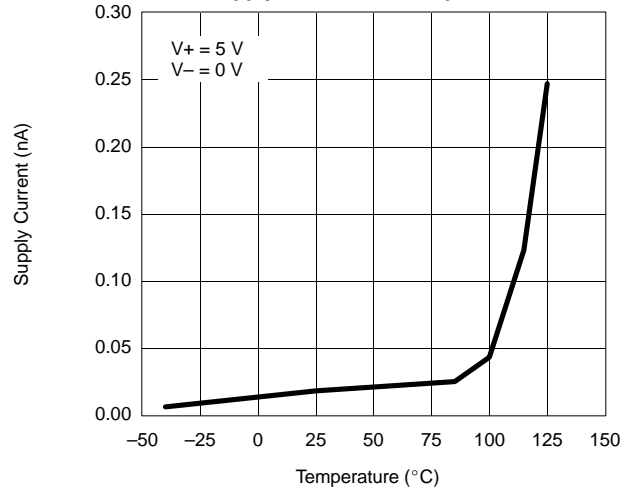
$r_{DS(on)}$  vs. Drain Voltage and Temperature  
(Single Supply)



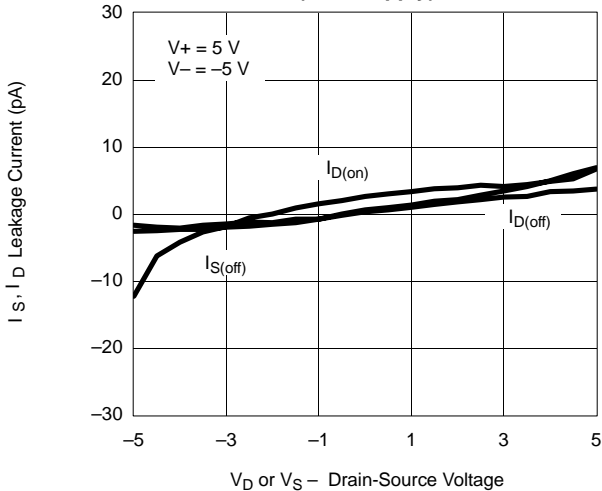
$r_{DS(on)}$  vs. Drain Voltage and Temperature  
(Dual Supply)



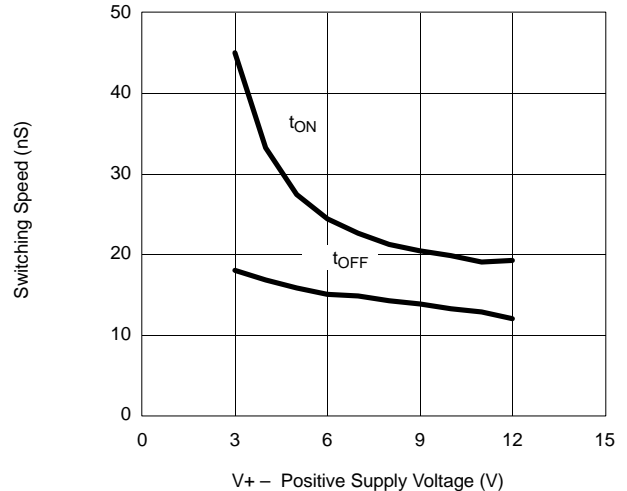
Supply Current vs. Temperature



Leakage Current vs. Analog Voltage  
(Dual Supply)



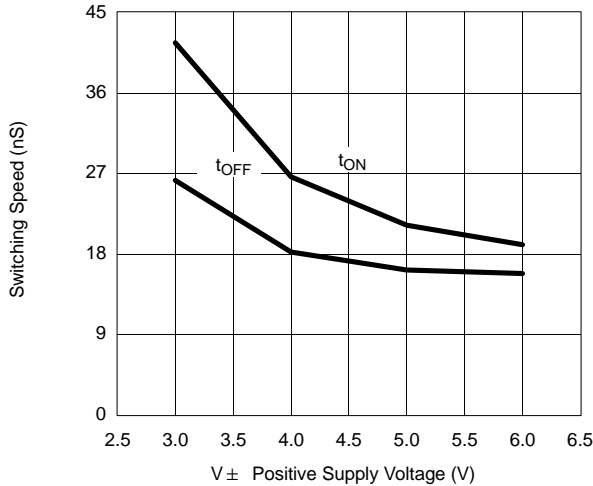
Switching Time vs. Single Supply



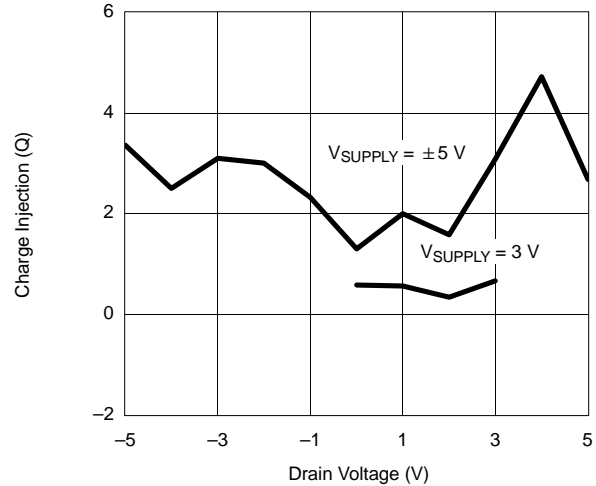


**TYPICAL CHARACTERISTICS (25°C UNLESS NOTED)**

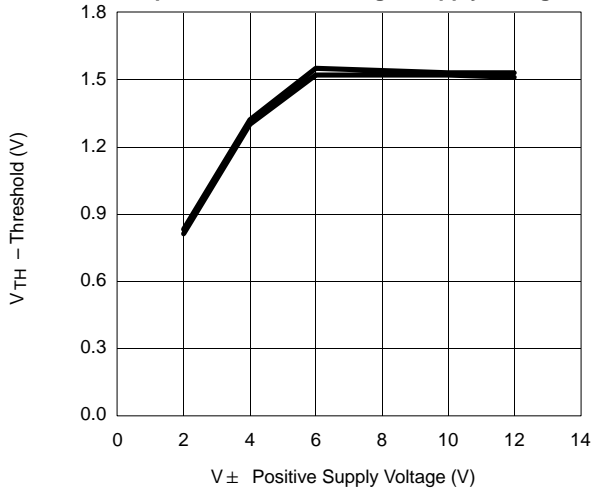
Switching Time vs. Dual Supply



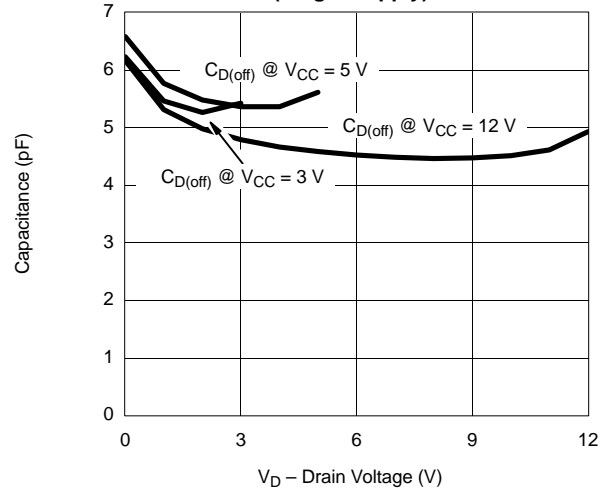
Charge Injection vs. Drain Voltage



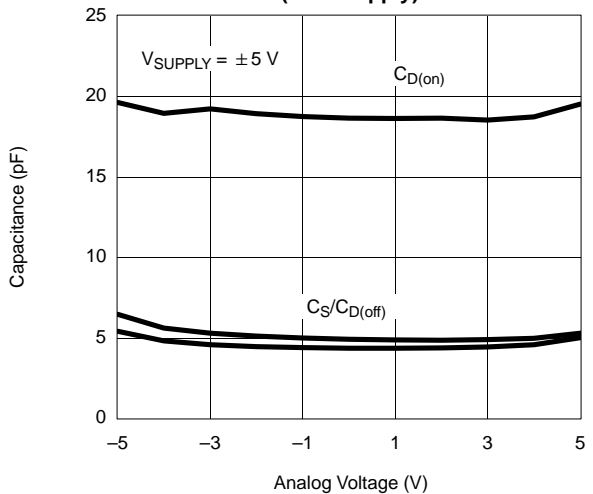
Input Threshold vs. Single Supply Voltage



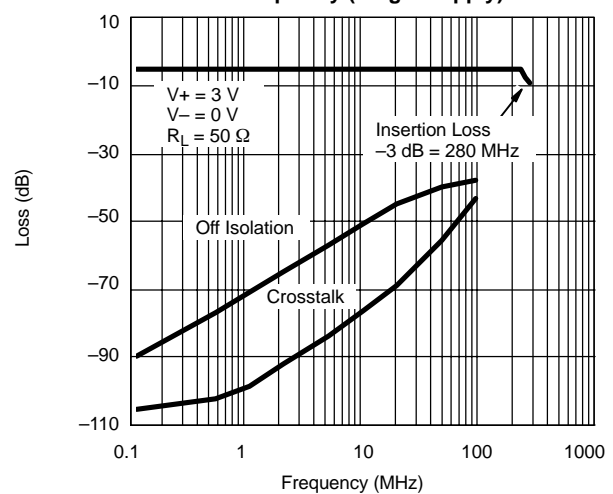
Drain Capacitance vs. Drain Voltage (Single Supply)



Capacitance vs. Analog Signal (Dual Supply)



Insertion Loss, Off Isolation and Crosstalk vs. Frequency (Single Supply)



**SCHEMATIC DIAGRAM (TYPICAL CHANNEL)**

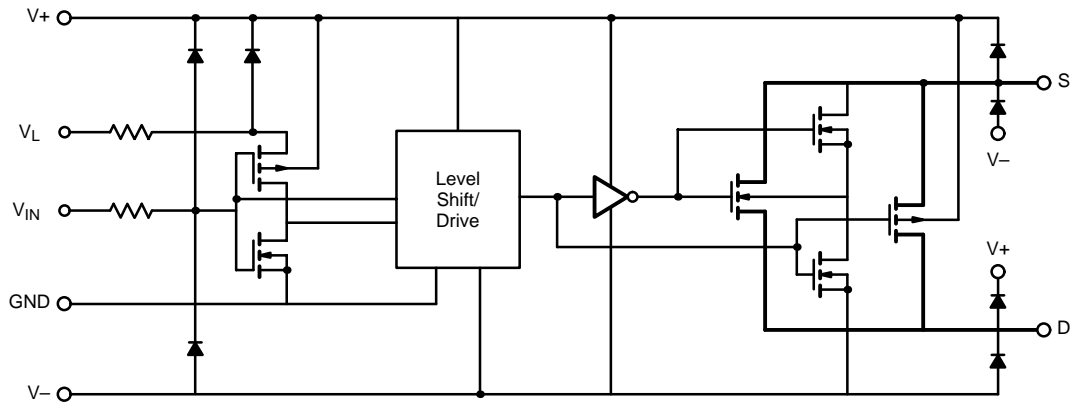
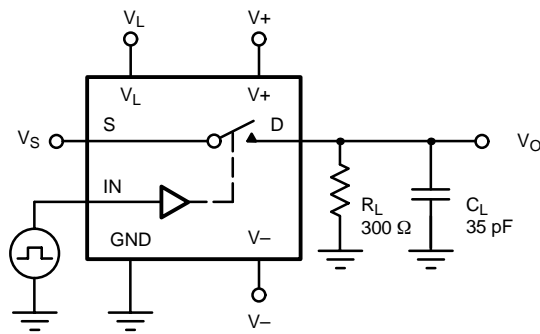


FIGURE 1.

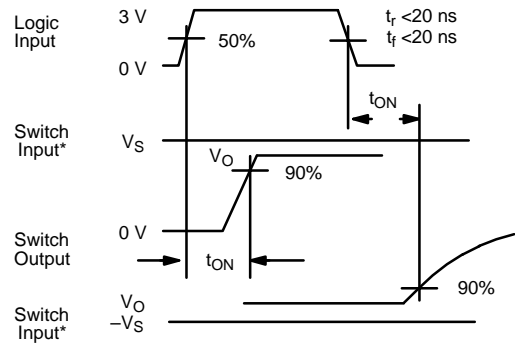
**TEST CIRCUITS**



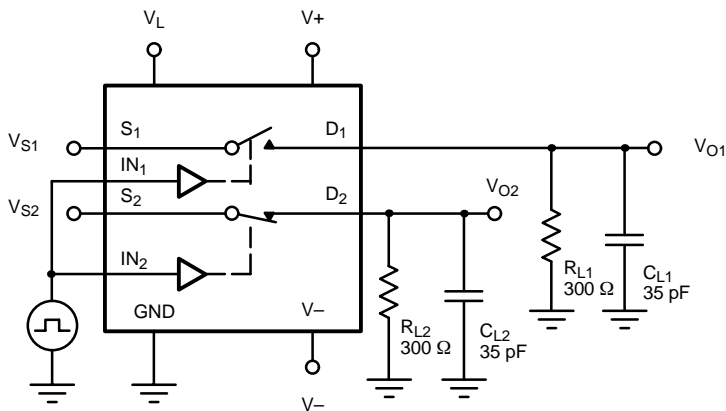
$C_L$  (includes fixture and stray capacitance)

$$V_O = V_S \frac{R_L}{R_L + r_{DS(on)}}$$

FIGURE 2. Switching Time

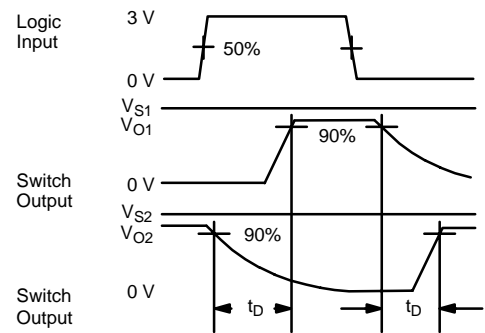


Note: Logic input waveform is inverted for switches that have the opposite logic sense control



$C_L$  (includes fixture and stray capacitance)

FIGURE 3. Break-Before-Make (DG413L)





**TEST CIRCUITS**

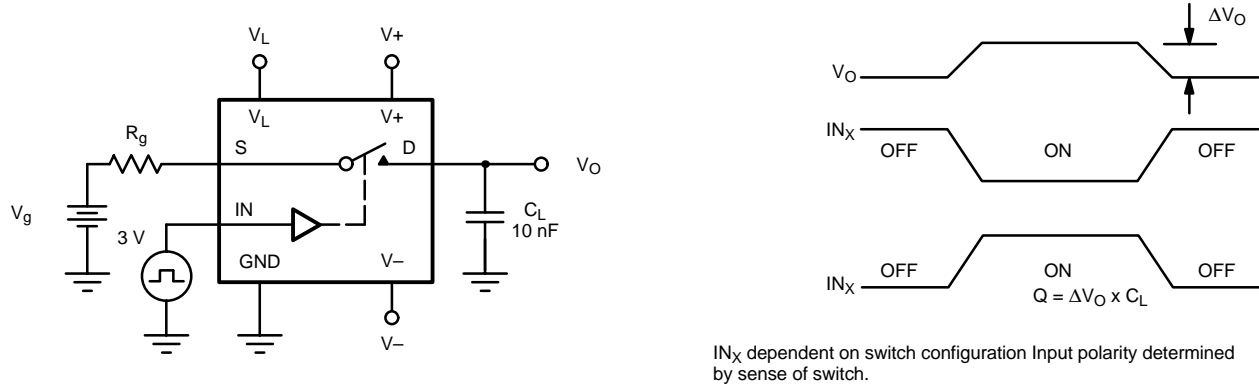


FIGURE 4. Charge Injection

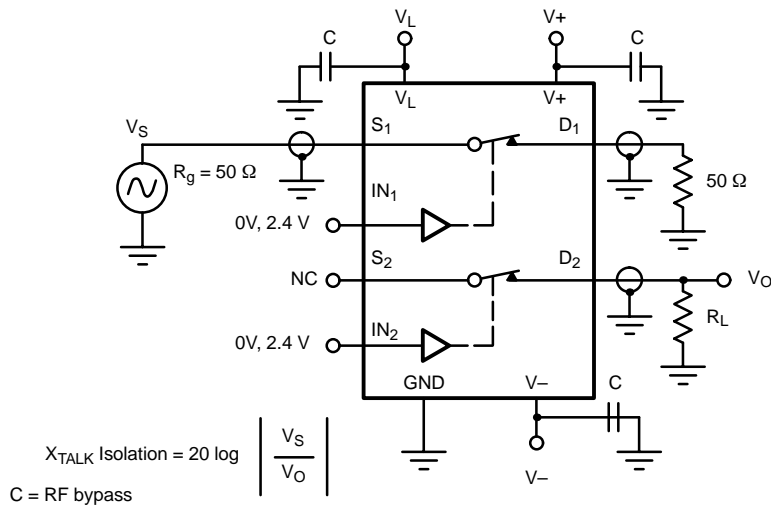


FIGURE 5. Crosstalk

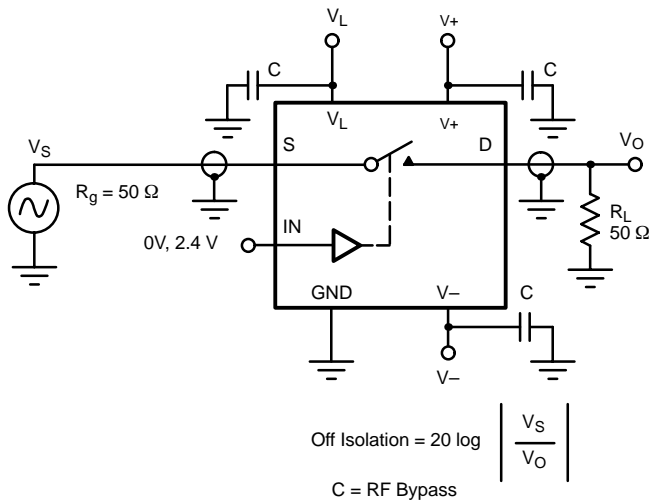


FIGURE 6. Off Isolation

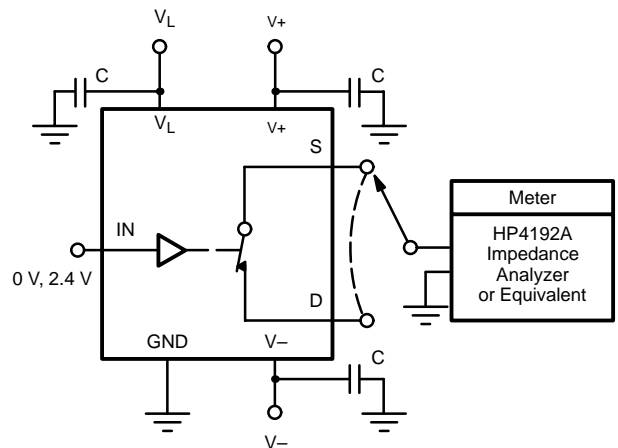


FIGURE 7. Source/Drain Capacitances