

## DP83865BVH Gig PHYTER® V 10/100/1000 Ethernet Physical Layer

### General Description

The DP83865 is a fully featured Physical Layer transceiver with integrated PMD sublayers to support 10BASE-T, 100BASE-TX and 1000BASE-T Ethernet protocols.

The DP83865 is an ultra low power version of the DP83861 and DP83891. It uses advanced 0.18  $\mu\text{m}$ , 1.8 V CMOS technology, fabricated at National Semiconductor's South Portland, Maine facility.

The DP83865 is designed for easy implementation of 10/100/1000 Mb/s Ethernet LANs. It interfaces directly to Twisted Pair media via an external transformer. This device interfaces directly to the MAC layer through the IEEE 802.3u Standard Media Independent Interface (MII) or the IEEE 802.3z Gigabit Media Independent Interface (GMII).

The DP83865 is a fourth generation Gigabit PHY with field proven architecture and performance. Its robust performance ensures drop-in replacement of existing 10/100 Mb/s equipment with 10/100/1000 Mb/s networking infrastructure.

### Applications

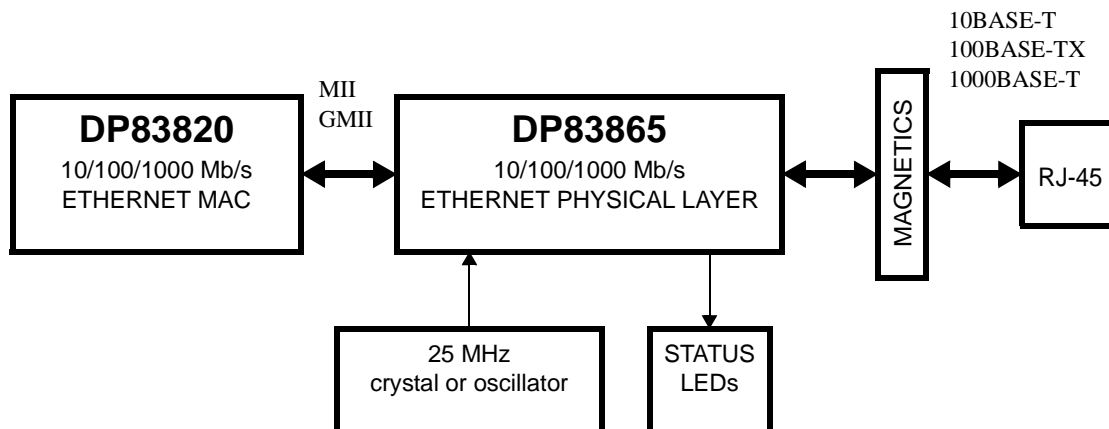
The DP83865 fits applications in:

- 10/100/1000 Mb/s capable node cards
- Switches with 10/100/1000 Mb/s capable ports
- High speed uplink ports (backbone)

### Features

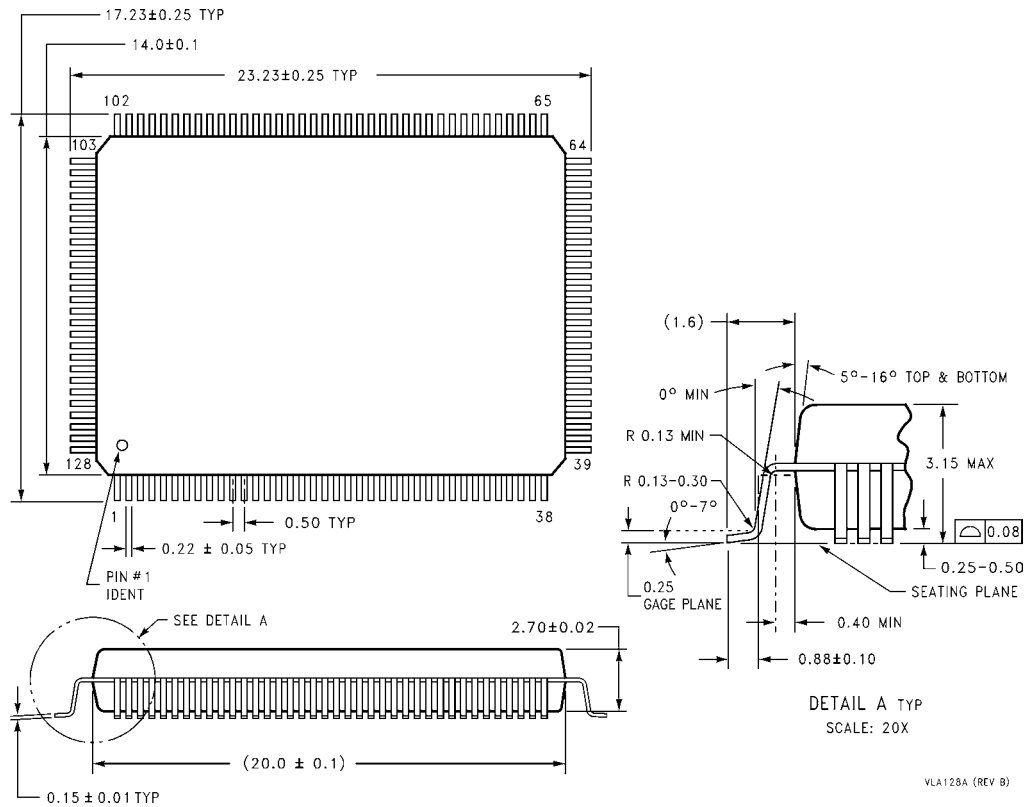
- Fully compliant with IEEE 10BASE-T, 100BASE-TX and 1000BASE-T specifications (802.3u, 802.3z, 802.3ab).
- Integrated PMD sublayer featuring adaptive equalization and baseline wander compensation according to ANSI X3.T12.
- 3.3 V or 2.5 V MAC interfaces:
  - IEEE 802.3u MII
  - IEEE 802.3z GMII
- User programmable GMII pin ordering.
- IEEE 802.3u Auto-Negotiation and Parallel Detection
  - Fully Auto-Negotiates between 1000 Mb/s, 100 Mb/s, and 10 Mb/s full duplex and half duplex devices
- LED support for activity, full / half duplex, link1000, link100 and link10 or user programmable (manual on/off).
- Supports 25 MHz operation with crystal or oscillator.
- Requires only two power supplies, 1.8 V (core and analog) and 2.5 V (analog and I/O). 3.3V is supported as an alternative supply for I/O voltage.
- User programmable interrupt.
- Supports Auto-MDIX at 10, 100 and 1000 Mb/s.
- Supports JTAG (IEEE1149.1).
- Ultra low power consumption of one watt typical.
- Management port (MDC / MDIO).
- 128-pin PQFP package (14mm x 20mm).
- WOL support.

### System Diagram



PHYTER® is a registered trademark of National Semiconductor Corporation.

**Physical Dimensions** inches (millimeters) unless otherwise noted



128 Plastic Ledged Flat Pack  
NS Package Number VLA128A  
Dimensions in mm

**LIFE SUPPORT POLICY**

NATIONAL'S PRODUCTS ARE NOT AUTHORIZED FOR USE AS CRITICAL COMPONENTS IN LIFE SUPPORT DEVICES OR SYSTEMS WITHOUT THE EXPRESS WRITTEN APPROVAL OF THE PRESIDENT AND GENERAL COUNSEL OF NATIONAL SEMICONDUCTOR CORPORATION. As used herein:

1. Life support devices or systems are devices or systems which, (a) are intended for surgical implant into the body, or (b) support or sustain life, and whose failure to perform when properly used in accordance with instructions for use provided in the labeling, can be reasonably expected to result in a significant injury to the user.
2. A critical component is any component of a life support device or system whose failure to perform can be reasonably expected to cause the failure of the life support device or system, or to affect its safety or effectiveness.



**National Semiconductor Corporation**  
Americas  
Tel: 1-800-272-9959  
Fax: 1-800-737-7018  
Email: support@nsc.com

**National Semiconductor Europe**  
Fax: +49 (0) 180-530 85 86  
Email: europe.support@nsc.com  
Deutsch Tel: +49 (0) 69 9508 6208  
English Tel: +44 (0) 870 24 0 2171  
Francais Tel: +33 (0) 1 41 91 8790

**National Semiconductor Asia Pacific Customer Response Group**  
Tel: 65-2544466  
Fax: 65-2504466  
Email: ap.support@nsc.com

**National Semiconductor Japan Ltd.**  
Tel: 81-3-5639-7560  
Fax: 81-3-5639-7507

www.national.com