

DARLINGTON ARRAYS

- EIGHT DARLINGTONS PER PACKAGE
- OUTPUT CURRENT 400 mA PER DRIVER (500 mA PEAK)
- OUTPUT VOLTAGE 90 V ($V_{CE(sus)} = 70$ V)
- INTEGRAL SUPPRESSION DIODES FOR INDUCTIVE LOADS
- OUTPUTS CAN BE PARALLELED FOR HIGHER CURRENT
- TTL / CMOS / PMOS / DTL COMPATIBLE INPUTS
- INPUTS PINNED OPPOSITE OUTPUTS TO SIMPLIFY LAYOUT

DESCRIPTION

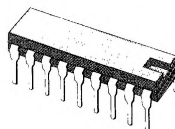
The L601, L602, L603 and L604 are high voltage, high current darlington arrays each containing eight open collector darlington pairs with common emitters. Each channel is rated at 400 mA and can with stand peak currents of 500 mA. Suppression diodes are included for inductive load driving and the inputs are pinned opposite the outputs to simplify board layout.

The four versions interface to all common logic families :

L601	General purpose
L602	14 - 25 V PMOS
L603	5 V TTL, CMOS
L604	6 - 15 V CMOS, PMOS

These versatile devices are useful for driving a wide range of loads, including solenoids, relays DC motors, LED displays, filament lamps, thermal print-heads and high power buffers.

The L601, L602, L603 and L604 are supplied in 18 pin plastic DIP packages with a copper leadframe to reduce thermal resistance.



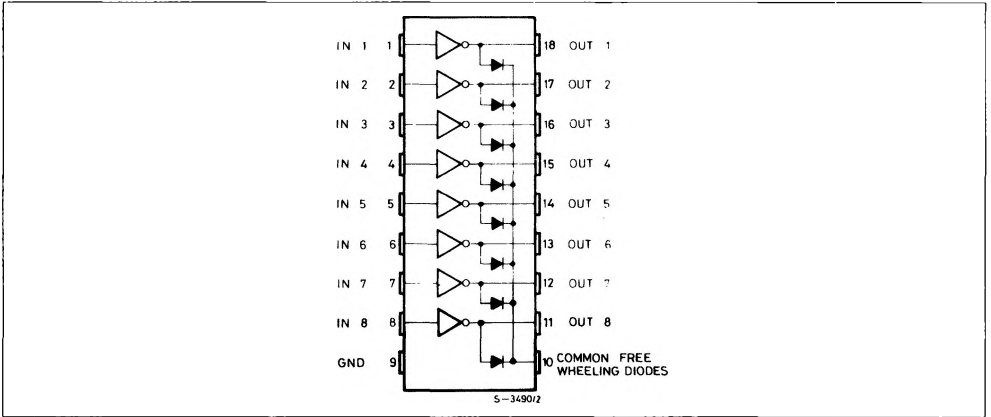
DIP-18
(Plastic)

ORDER CODES : L601C, L603B
L602B, L604B

ABSOLUTE MAXIMUM RATINGS

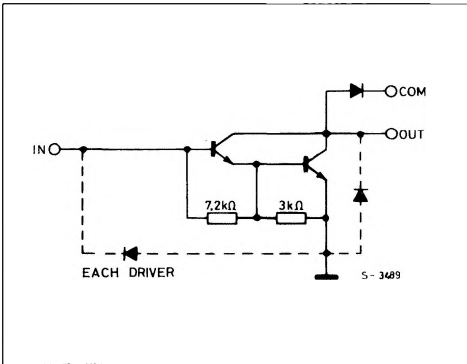
Symbol	Parameter	Value	Unit
V_{CEX}	Collector Emitter Voltage (input open)	90	V
I_C	Collector Current	0.4	A
I_{cP}	Collector Peak Current	0.5	A
V_i	Input Voltage (for L602, L603 and L604)	30	V
I_i	Input Current (for L601 only)	25	mA
P_{tot}	Total Power Dissipation at $T_{amb} = 25^\circ\text{C}$	1.8	W
T_{op}	Operating Junction Temperature	- 25 to 150	$^\circ\text{C}$

PIN CONNECTIONS (top view)

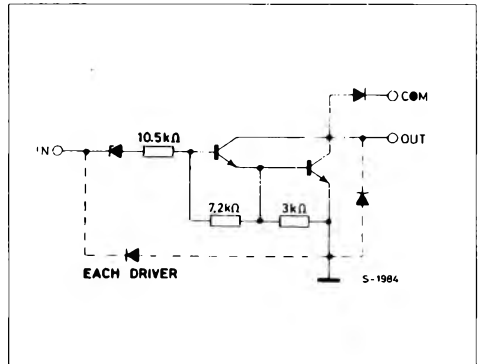


SCHEMATIC DIAGRAMS

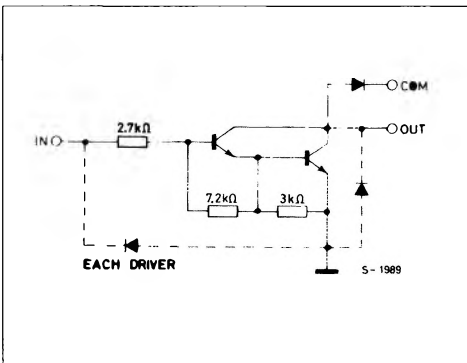
L601



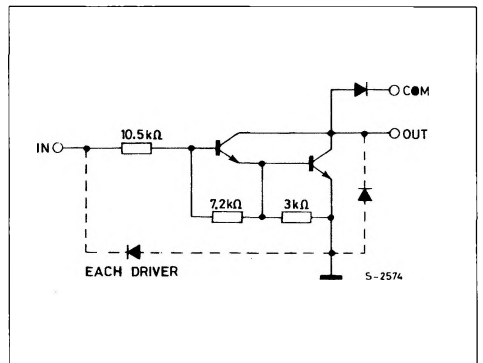
L602



L603



L604



THERMAL DATA

$R_{thj-amb}$	Thermal Resistance Junction-ambient	Max	70	$^{\circ}\text{C/W}$
---------------	-------------------------------------	-----	----	----------------------

ELECTRICAL CHARACTERISTICS ($T_{amb} = 25^{\circ}\text{C}$, unless otherwise specified)

Symbol	Parameter	Test conditions	Min.	Typ.	Max.	Unit
I_{CEX}	Output Leakage Current	$V_{CE} = 90\text{ V}$			10	μA
$V_{CE(sat)}$	Collector Emitter Saturation Voltage	$I_C = 300\text{ mA}$ $I_C = 200\text{ mA}$ $I_C = 100\text{ mA}$	$I_B = 500\text{ }\mu\text{A}$ $I_B = 350\text{ }\mu\text{A}$ $I_B = 250\text{ }\mu\text{A}$		2 1.7 1.2	V V V
h_{FE}	DC Forward Current Gain (L601 only)	$V_{CE} = 3\text{ V}$	$I_C = 300\text{ mA}$	1000		—
V_i	Minimum Input Voltage (ON condition)	$V_{CE} = 3\text{ V}$ for L602 for L603 for L604	$I_C = 300\text{ mA}$		11.5 2.5 5	V V V
V_i	Maximum Input Voltage (OFF condition)	$V_{CE} = 90\text{ V}$ for L601 for L602 for L603 for L604	$I_C = 25\text{ }\mu\text{A}$	0.55 7 0.75 1		V V V V
I_R	Clamp Diode Reverse Current	$V_R = 90\text{ V}$			50	μA
V_F	Clamp Diode Forward Voltage	$I_F = 300\text{ mA}$		2	2.4	V
t_{on}	Turn-on Delay	$0.5 V_i$ to $0.5 V_o$		0.4		μs
t_{off}	Turn-off Delay	$0.5 V_i$ to $0.5 V_o$		0.4		μs