

**LA5588**

## General-Purpose Compact DC Motor Speed Controller

### Overview

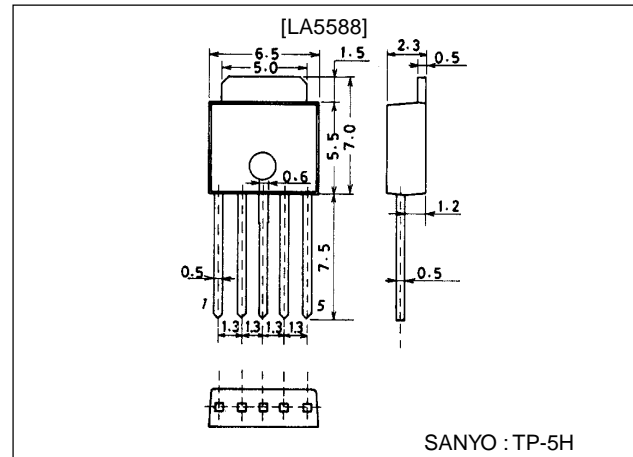
Suited for use in speed control of general-purpose compact DC motors for radio-cassette recorders, car stereos.

### Features and Functions

- Wide operating voltage range (4.5 to 18V).
- Possible to make the equipment compact because of minimum number of external parts required and small-sized package.
- Facilitates speed control.
- Easy to control rotational speed from low speed to high speed.
- On-chip kickback absorber.
- High stability in oscillation.
- Facilitates heat radiation because of the use of a fin.

### Package Dimensions

unit:mm

**3103-TP-5H**

### Specifications

#### Maximum Ratings at Ta = 25°C

Parameter	Symbol	Conditions	Ratings	Unit
Maximum supply voltage	$V_S$ max		20	V
Allowable power dissipation	$P_d$ max	Heat is radiated to Cu foil of 1cm <sup>2</sup> : 1.7W	1.0	W
Operating temperature	$T_{opr}$		-20 to +80	°C
Storage temperature	$T_{stg}$		-40 to +150	°C
Strating Current	$I_m$ max	Switch ON or lock	1.4	A

#### Operating Conditions at Ta = 25°C

Parameter	Symbol	Conditions	Ratings	Unit
Supply voltage	$V_S$		3 to 18	V
Control Resistance	RA+RB		100	kΩ

■ Any and all SANYO products described or contained herein do not have specifications that can handle applications that require extremely high levels of reliability, such as life-support systems, aircraft's control systems, or other applications whose failure can be reasonably expected to result in serious physical and/or material damage. Consult with your SANYO representative nearest you before using any SANYO products described or contained herein in such applications.

■ SANYO assumes no responsibility for equipment failures that result from using products at values that exceed, even momentarily, rated values (such as maximum ratings, operating condition ranges, or other parameters) listed in products specifications of any and all SANYO products described or contained herein.

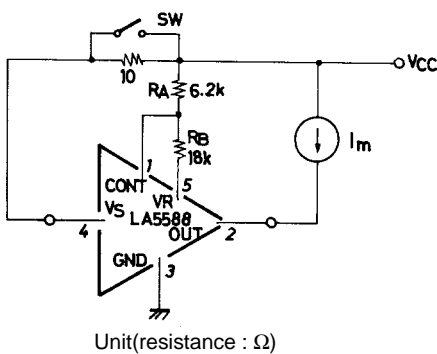
**SANYO Electric Co.,Ltd. Semiconductor Bussiness Headquarters**

TOKYO OFFICE Tokyo Bldg., 1-10, 1 Chome, Ueno, Taito-ku, TOKYO, 110-8534 JAPAN

Operating Characteristics at Ta = 25°C

Parameter	Symbol	Conditions	Ratings			Unit
			min	typ	max	
Reference voltage	Vref	VS=8V, Im=100mA	1.1	1.2	1.3	V
2nd reference voltage	Vref'	VS=8V, Im=100mA	2.0	2.15	2.3	V
Quiescent flow-in current	Id	VS=8V, Im=0	0.5	1.73	2.5	mA
Shunt ratio	K	VS=8V, Im=0, 100mA	22	24	26	
Residual voltage	V(sat)	VS=3V, Im=200mA		1.1	1.4	V
Voltage characteristic of reference voltage	$\frac{\Delta V_{ref}}{V_{ref}} / \Delta V_S$	VS=3 to 18V, Im=100mA	-0.02	0	+0.02	%/V
Voltage characteristic of 2nd reference voltage	$\frac{\Delta V_{ref'}}{V_{ref'}} / \Delta V_S$	VS=3 to 18V, Im=100mA	-0.05	0.025	0.1	%/V
Voltage characteristic of quiescent flow-in current	$\frac{\Delta I_d}{I_d} / \Delta V_S$	VS=3 to 18V, Im=0		0.3	0.8	%/V
Voltage characteristic of shunt ratio	$\frac{\Delta K}{K} / \Delta V_S$	VS=3 to 18V, Im=0, 100mA	-0.8	-0.3	0.3	%/V
Current characteristic of reference voltage	$\frac{\Delta V_{ref}}{V_{ref}} / \Delta I_m$	VS=8V, Im=50 to 150mA	-0.002	0	0.002	%/mA
Current characteristic of 2nd reference voltage	$\frac{\Delta V_{ref'}}{V_{ref'}} / \Delta I_m$	VS=8V, Im=50 to 150mA	-0.1	-0.013	0.05	%/mA
Current characteristic of shunt ratio	$\frac{\Delta K}{K} / \Delta I_m$	VS=8V, Im=50mA, 100mA to 150mA, 200mA		0.008	0.025	%/mA
Temperature characteristic of reference voltage	$\frac{\Delta V_{ref}}{V_{ref}} / \Delta T_a$	VS=8V, Im=100mA, Ta=20 to 80°C		0		%/°C
Temperature characteristic of 2nd reference voltage	$\frac{\Delta V_{ref'}}{V_{ref'}} / \Delta T_a$	VS=8V, Im=100mA, Ta=20 to 80°C		0		%/°C
Temperature characteristic of Quiescent flow-in current	$\frac{\Delta I_d}{I_d} / \Delta T_a$	VS=8V, Im=100mA, Ta=20 to 80°C		0.12		%/°C
Temperature characteristic of shunt ratio	$\frac{\Delta K}{K} / \Delta T_a$	VS=8V, Im=100mA, Ta=20 to 80°C		0.02		%/°C

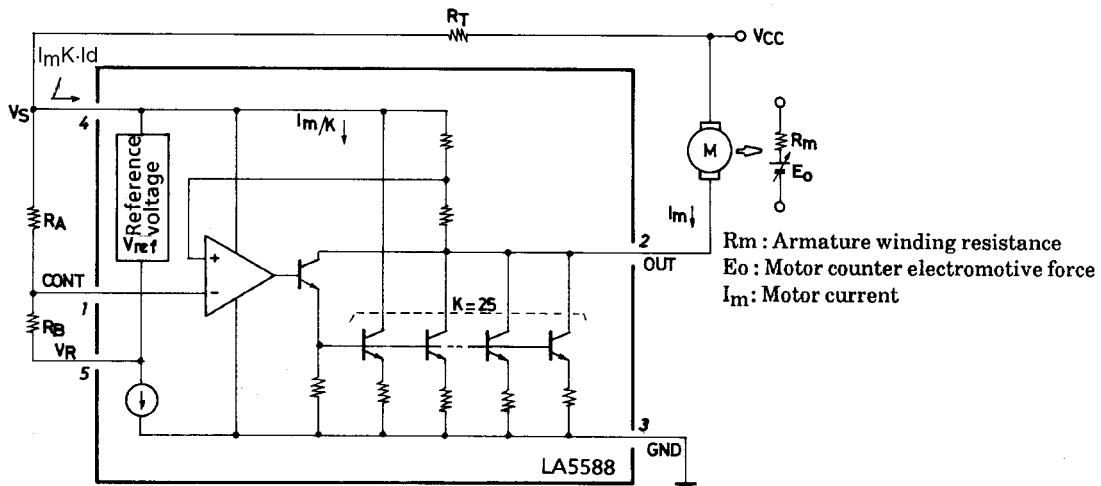
Test Circuit



- 1) Reference voltage (Vref)  
Measure the voltage across pins VS and VR with the SW ON.
- 2) 2nd reference voltage (Vref')  
Measure the voltage across pins VS and OUT with the SW ON.
- 3) Quiescent flow-in current (Id)  
Measure using the voltage across the resistor of 10Ω with the SW OFF.
- 4) Shunt ratio (K)  
With the SW OFF, measure Id, Id1 at Im=Im1 and Id, Id2 at Im=Im2 and calculate using the following formula.  

$$K = \frac{(I_{m2} - I_{m1})}{(I_{d2} - I_{d1})}$$
- 5) Residual voltage (Vsat)  
With the SW OFF, measure the voltage across pins OUT and GND at VS=3V, Im=200mA.

Block Diagram



- Specifications of any and all SANYO products described or contained herein stipulate the performance, characteristics, and functions of the described products in the independent state, and are not guarantees of the performance, characteristics, and functions of the described products as mounted in the customer's products or equipment. To verify symptoms and states that cannot be evaluated in an independent device, the customer should always evaluate and test devices mounted in the customer's products or equipment.
- SANYO Electric Co., Ltd. strives to supply high-quality high-reliability products. However, any and all semiconductor products fail with some probability. It is possible that these probabilistic failures could give rise to accidents or events that could endanger human lives, that could give rise to smoke or fire, or that could cause damage to other property. When designing equipment, adopt safety measures so that these kinds of accidents or events cannot occur. Such measures include but are not limited to protective circuits and error prevention circuits for safe design, redundant design, and structural design.
- In the event that any and all SANYO products described or contained herein fall under strategic products (including services) controlled under the Foreign Exchange and Foreign Trade Control Law of Japan, such products must not be exported without obtaining export license from the Ministry of International Trade and Industry in accordance with the above law.
- No part of this publication may be reproduced or transmitted in any form or by any means, electronic or mechanical, including photocopying and recording, or any information storage or retrieval system, or otherwise, without the prior written permission of SANYO Electric Co., Ltd.
- Any and all information described or contained herein are subject to change without notice due to product/technology improvement, etc. When designing equipment, refer to the "Delivery Specification" for the SANYO product that you intend to use.
- Information (including circuit diagrams and circuit parameters) herein is for example only ; it is not guaranteed for volume production. SANYO believes information herein is accurate and reliable, but no guarantees are made or implied regarding its use or any infringements of intellectual property rights or other rights of third parties.

This catalog provides information as of July, 1998. Specifications and information herein are subject to change without notice.