

Ordering number: EN 2895A

Monolithic Linear IC

SANYO	No.2895A	LA5690D, 5690S
	Voltage Regulator Driver with Watchdog Timer	

The LA5690 is a single-chip voltage regulator for microcomputer system monitor use that performs the functions of 5V output voltage control, watchdog timer, and voltage detector. The LA5690 uses a minimum number of parts to provide the basic functions.

Applications

- Microcomputer system for car equipment, refrigeration/heating equipment, office automation equipment

Functions

- Output voltage 5V control
- Watchdog timer
- Power-ON reset function
- Positive/negative logic output for reset

Features

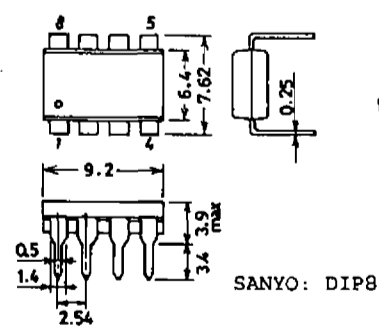
- An external PNP transistor can be used to provide a low-saturation voltage regulator.
- CK input with edge detector
- Variable detection voltage
- Reset output with pull-up resistor of 10kΩ

Maximum Ratings at Ta = 25°C		unit	unit
Control Pin Voltage	V _{CONT} max	1sec	60 V
Control Pin Voltage	V _{CONT} max		41 V
Control Pin Current	I _{CONT} max	*V _{CC} ≥ 6V	11 mA
CK Input Voltage	V _{CK} max		25 V
Reset Pin Voltage	V _{RES} max, V _{RES} max		41 V
Allowable Power Dissipation	P _d max		500 mW
Operating Temperature	T _{opr}		-40 to +85 °C
Storage Temperature	T _{stg}		-55 to +150 °C

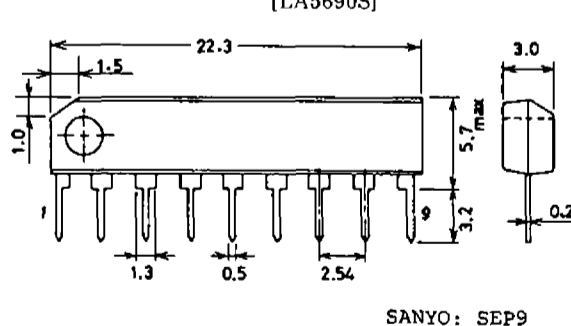
*: A PNP transistor is connected to the LA5690D, 5690S externally to provide a low-saturation voltage regulator. Therefore, I_{CONT} = 100mA will flow, as starting current, in the V_{CC} range where the output cannot be regulated.

Operating Conditions at Ta = 25°C		unit
Control Pin Voltage	V _{CONT}	6 to 40 V
Control Pin Current	I _{CONT} max	10 mA
Reset Output Current	I _{RES} max, I _{RES} max	External R pull-up 8 mA
Reset Detection Voltage	V _S min	4 V

Package Dimensions
(unit: mm)
3001B



Package Dimensions
(unit: mm)
3017B



SANYO Electric Co., Ltd. Semiconductor Business Headquarters
TOKYO OFFICE Tokyo Bldg., 1-10, 1 Chome, Ueno, Taito-ku, TOKYO, 110 JAPAN

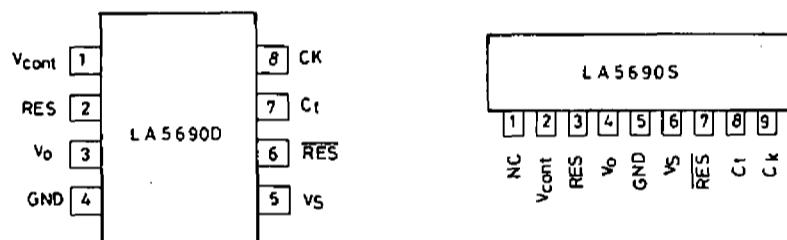
D219YT/8099YT/9088YT, TS No.2895-1/5

LA5690D,5690S

Operating Characteristics at $T_a = 25^\circ\text{C}$, $V_{CC} = 14\text{V}$, $I_O = 50\text{mA}$, unless otherwise specified

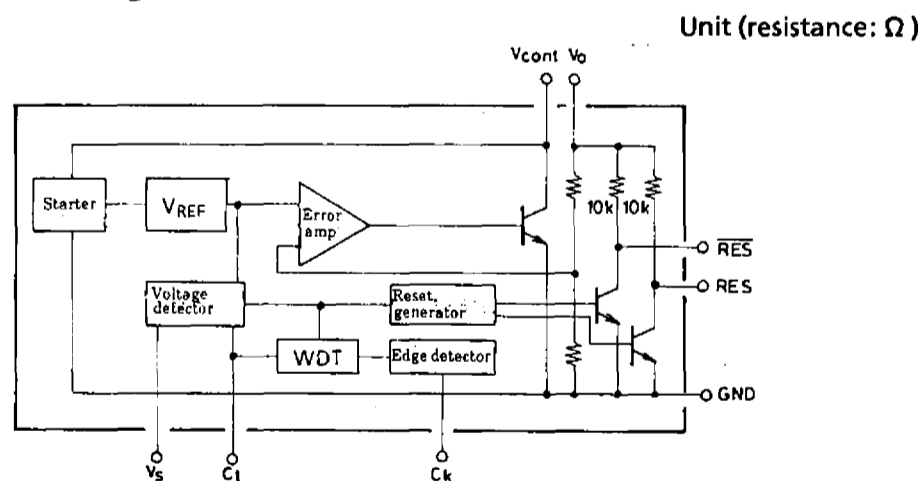
			min	typ	max	unit
Operating Voltage	V_O		4.8	5.0	5.2	V
Line Regulation	ΔV_{OLN1}	$9\text{V} \leq V_{CC} \leq 16\text{V}$		2	10	mV
	ΔV_{OLN2}	$6\text{V} \leq V_{CC} \leq 40\text{V}$		4	30	mV
Load Regulation	ΔV_{OLD}	$1\text{mA} \leq I_O \leq 50\text{mA}$		4	30	mV
Current Dissipation	I_{CC}	$I_O = 0$		4.9	6.5	mA
Output Noise Voltage	V_{NO}	$10\text{Hz} \leq f \leq 100\text{kHz}$, $V_{CK} = 0$		200		μV
Temperature Coefficient of Output Voltage	$\Delta V_O / \Delta T_a$	$I_O = 5\text{mA}$, $-40^\circ\text{C} \leq T_a \leq +85^\circ\text{C}$		± 0.2		$\text{mV}/^\circ\text{C}$
Reference Voltage	V_{REF}		1.13	1.18	1.23	V
"H"-Level CK Input Voltage	V_{IH}		2			V
"L"-Level CK Input Voltage	V_{IL}				0.8	V
"H"-Level CK Input Current	I_{IH}	$V_{CK} = 5\text{V}$		0.3	0.7	mA
"L"-Level CK Input Current	I_{IL}	$V_{CK} = 0$	-1.0	-0.1		μA
"H"-Level Reset Output Voltage	V_{ORH}/V_{ORH}		4.8	5.0	5.2	V
"L"-Level Reset Output Voltage	V_{ORL1}/V_{ORL1}			40	200	mV
"L"-Level Reset Output Voltage	V_{ORL2}/V_{ORL2}	$I_{RES} = I_{RES} = 8\text{mA}$		0.16	0.8	V
CK Input Pulse Width	t_{CKW}	$V_{CK} = 5\text{V}$		3		μs
Reset Output Delay Time	t_d	$C_t = 1\mu\text{F}$	7.5	10	12.5	ms
Watchdog Time	t_{WD}	$C_t = 1\mu\text{F}$	3.8	5.0	6.2	ms
Watchdog Reset Time	t_{WR}	$C_t = 1\mu\text{F}$	0.1	0.25	0.4	ms
Reset Hysteresis Voltage	V_{hys}	$V_S = 4.5\text{V}$	100	200	300	mV

Pin Assignment



The NC pin, which is left open, must not be used for wiring.

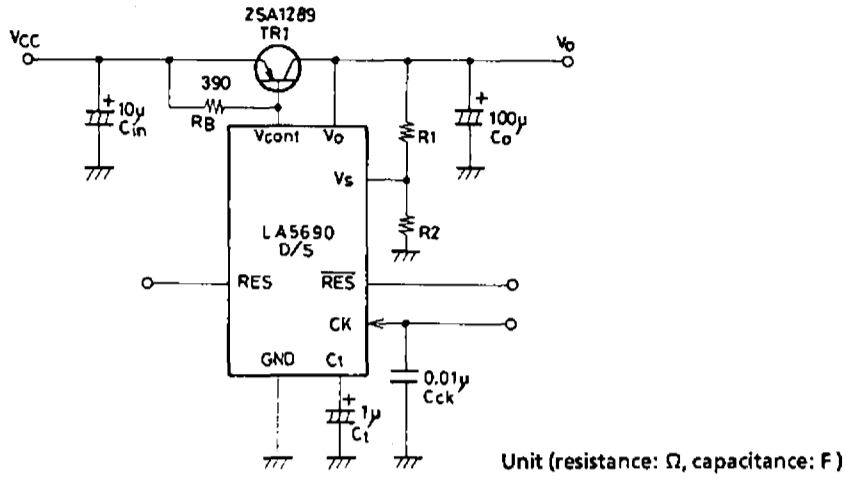
Equivalent Circuit Block Diagram



The reset output contains a pull-up resistor of $10\text{k}\Omega$.

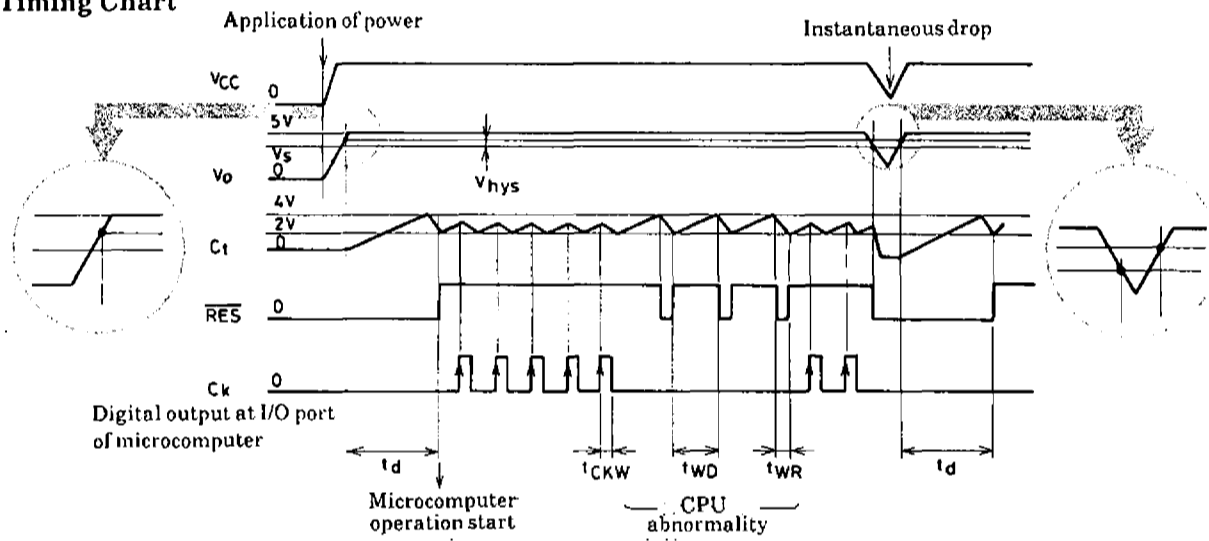
LA5690D,5690S

Test Circuit



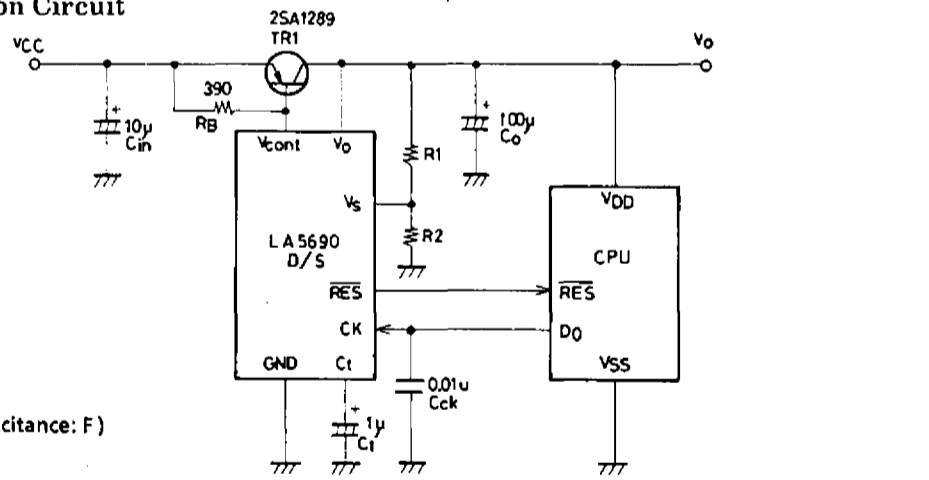
Unit (resistance: Ω, capacitance: F)

Timing Chart



Note: Edge-triggered at the point indicated by the arrow of C_K signal.

Sample Application Circuit



Unit (resistance: Ω, capacitance: F)

TR1: 2SA1289 (60V/5A, TO-220)

C_t: Sanyo OS capacitor

$$V_S = V_{REF} \times \left(\frac{R_1}{R_2} + 1 \right)$$

$$V_{REF} = 1.18(V)$$

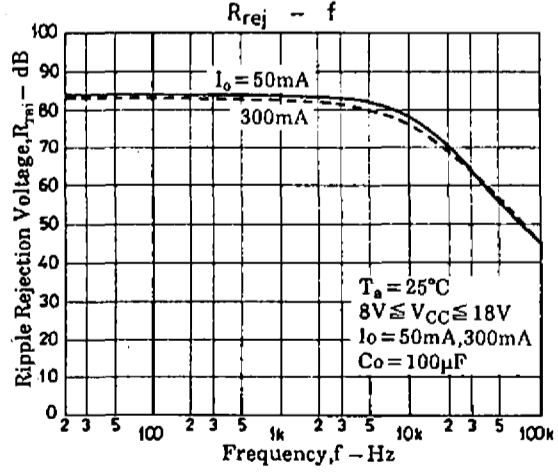
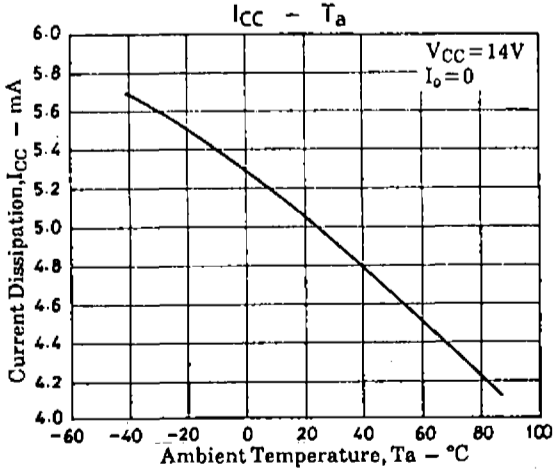
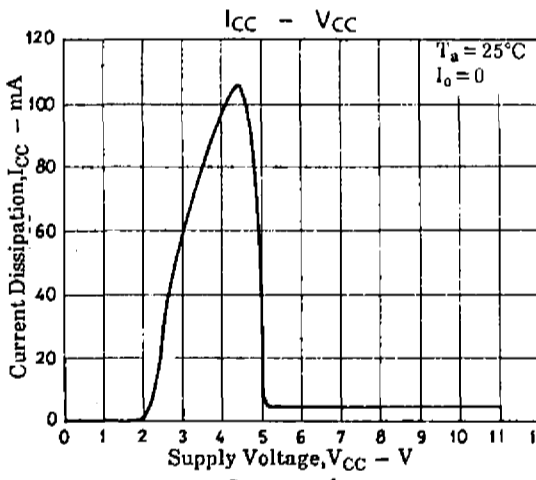
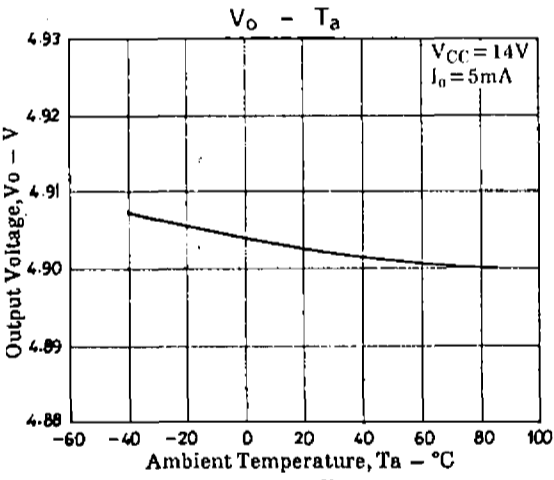
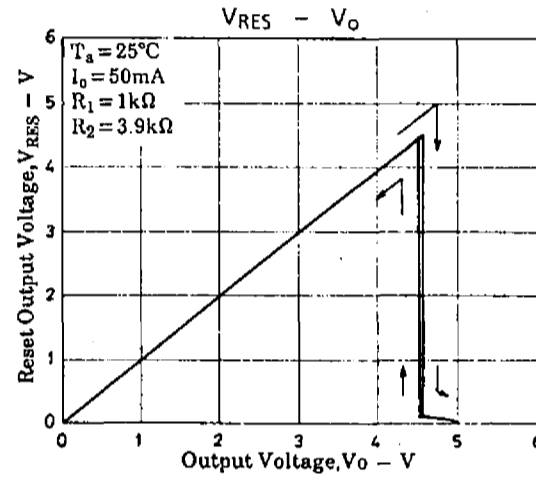
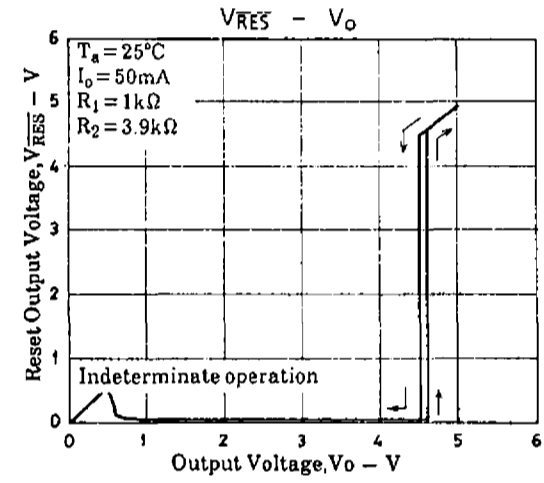
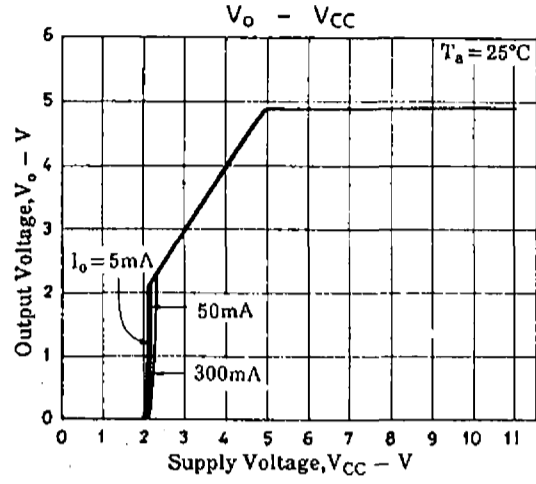
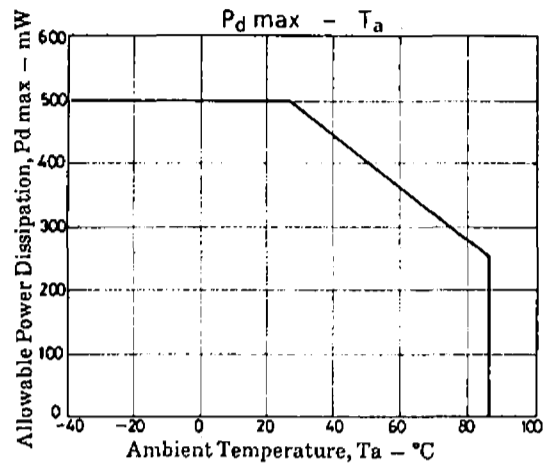
$$t_d = 10 \times C_t (\mu F) [ms]$$

$$t_{WD} = 5 \times C_t (\mu F) [ms]$$

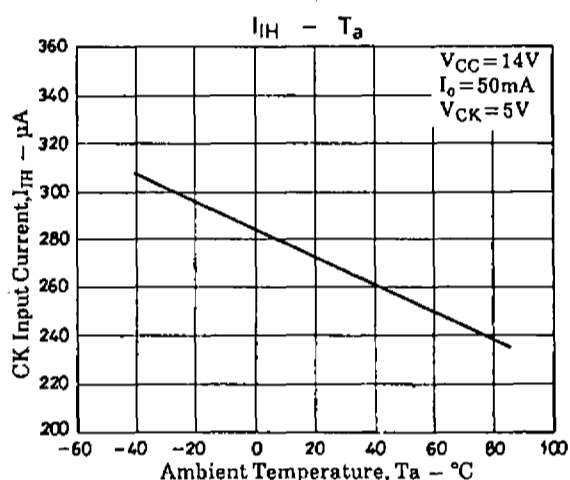
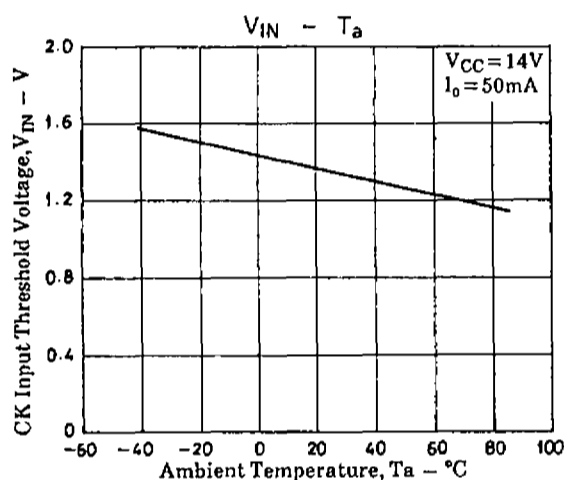
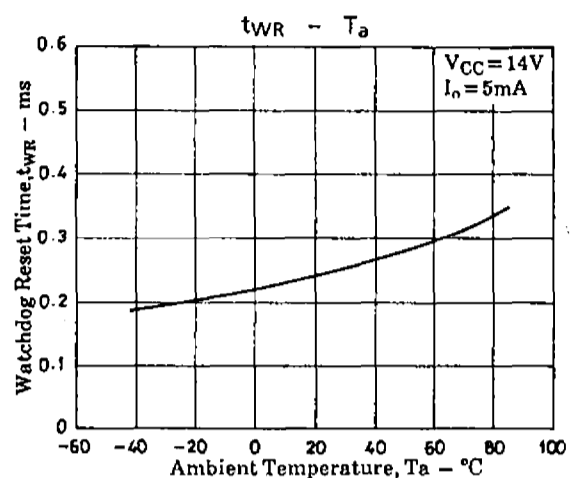
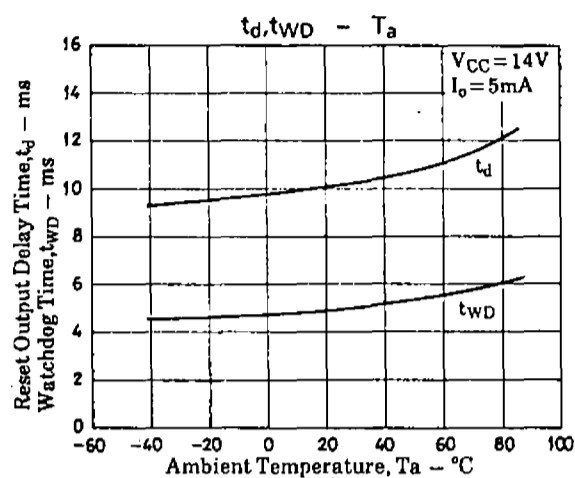
$$t_{WR} = 0.25 \times C_t (\mu F) [ms]$$

- C_t, C_O: Capacitors whose value does not vary with temperature very much.
- C_{CK}: Must be used to eliminate noise in the reset output.

LA5690D,5690S



LA5690D,5690S



■ No products described or contained herein are intended for use in surgical implants, life-support systems, aerospace equipment, nuclear power control systems, vehicles, disaster/crime-prevention equipment and the like, the failure of which may directly or indirectly cause injury, death or property loss.

■ Anyone purchasing any products described or contained herein for an above-mentioned use shall:

- ① Accept full responsibility and indemnify and defend SANYO ELECTRIC CO., LTD., its affiliates, subsidiaries and distributors and all their officers and employees, jointly and severally, against any and all claims and litigation and all damages, cost and expenses associated with such use;
- ② Not impose any responsibility for any fault or negligence which may be cited in any such claim or litigation on SANYO ELECTRIC CO., LTD., its affiliates, subsidiaries and distributors or any of their officers and employees jointly or severally.

■ Information (including circuit diagrams and circuit parameters) herein is for example only; it is not guaranteed for volume production. SANYO believes information herein is accurate and reliable, but no guarantees are made or implied regarding its use or any infringements of intellectual property rights or other rights of third parties.