

**SANYO**

No.2612A

**LA6515****0.5 A Power Operational Amplifier****OVERVIEW**

The LA6515 is a high-performance power operational amplifier IC capable of delivering larger output currents than conventional op amps.

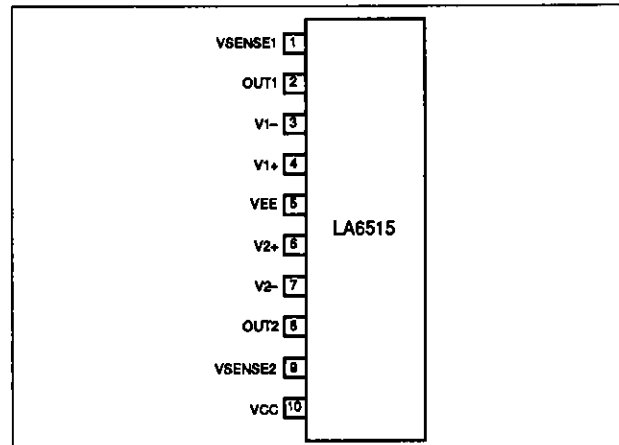
The LA6515 features an on-chip current limiter and provides high voltage gain and a high common-mode rejection ratio.

The LA6515 is an ideal choice for power applications such as DC servos, capstan drivers, actuator drivers, programmable power supplies and high-quality audio amplifiers.

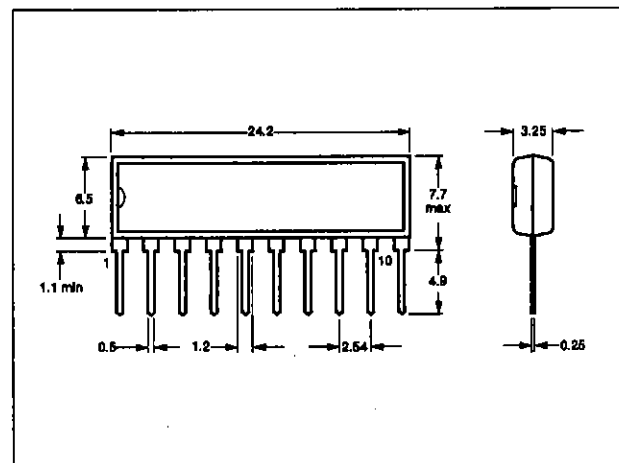
The LA6515 is available in 10-pin SIPs and operates from -15 V and 15 V supplies.

**FEATURES**

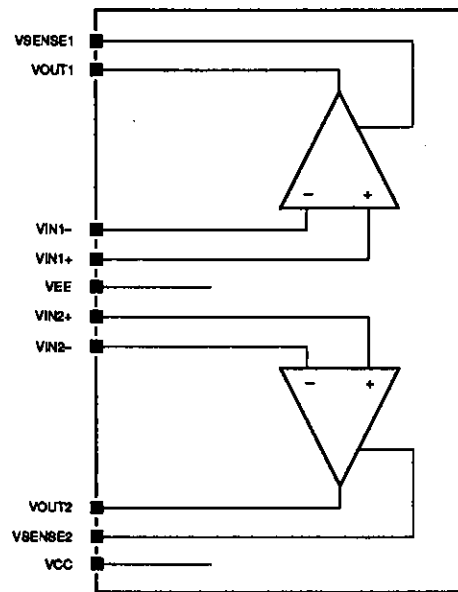
- 0.5 A output current
- 100 dB voltage gain
- 80 dB common-mode rejection
- 0.15 V/ $\mu$ s slew rate
- 2 mV offset voltage
- 10 nA offset current
- On-chip current limiter
- -15 V and 15 V supplies
- 10-pin SIP

**PINOUT****PACKAGE DIMENSIONS**

Unit: mm

**3043A-SIP10**

## BLOCK DIAGRAM



## PIN DESCRIPTION

| Number | Name    | Description         |
|--------|---------|---------------------|
| 1      | VSENSE1 | Voltage detect      |
| 2      | OUT1    | Output              |
| 3      | V1-     | Inverting input     |
| 4      | V1+     | Non-inverting input |
| 5      | VEE     | -15 V supply        |
| 6      | V2+     | Non-inverting input |
| 7      | V2-     | Inverting input     |
| 8      | OUT2    | Output              |
| 9      | VSENSE2 | Voltage detect      |
| 10     | VCC     | 15 V supply         |

## SPECIFICATIONS

## Absolute Maximum Ratings

| Parameter                   | Symbol            | Rating     | Unit   |
|-----------------------------|-------------------|------------|--------|
| Supply voltages             | V <sub>CC</sub>   | 18         | V      |
|                             | V <sub>EE</sub>   | -18        |        |
| Differential input voltage  | V <sub>ID</sub>   | 30         | V      |
| Common-mode input voltage   | V <sub>ICOM</sub> | ±15        | V      |
| Output current              | I <sub>o</sub>    | 1.0        | A      |
| Power dissipation           | P <sub>d</sub>    | 1.3        | W      |
| Operating temperature range | T <sub>opr</sub>  | -20 to 75  | deg. C |
| Storage temperature range   | T <sub>stg</sub>  | -55 to 150 | deg. C |

**Recommended Operating Conditions**

$T_a = 25 \text{ deg. C}$

| Parameter       | Symbol   | Rating | Unit |
|-----------------|----------|--------|------|
| Supply voltages | $V_{CC}$ | 15     | V    |
|                 | $V_{EE}$ | -15    | V    |

**Electrical Characteristics**

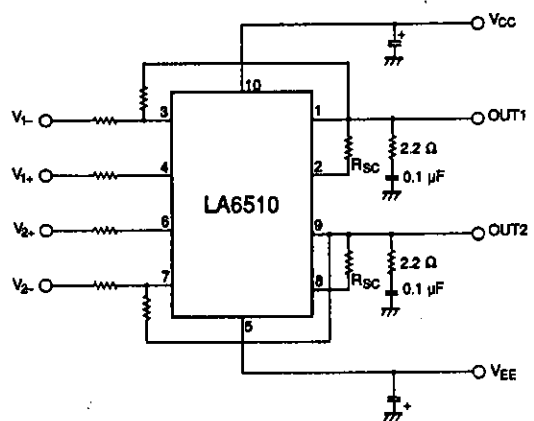
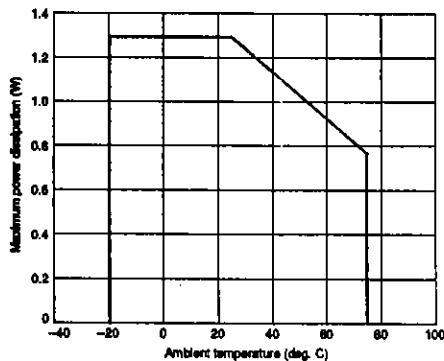
$V_{CC} = 15 \text{ V}$ ,  $V_{EE} = -15 \text{ V}$ ,  $T_a = 25 \text{ deg. C}$  unless otherwise noted

| Parameter                      | Symbol    | Condition   | Rating   |          |     | Unit             |
|--------------------------------|-----------|---|----------|----------|-----|------------------|
|                                |           |   | min      | typ      | max |                  |
| Quiescent current              | $I_{CCO}$ |   | 6        | 12       | 20  | mA               |
| Input offset voltage           | $V_{IO}$  | $R_B \leq 10 \text{ k}\Omega$   | -        | 2        | 6   | mV               |
| Input offset current           | $I_{IO}$  |   | -        | 10       | 200 | nA               |
| Input bias current             | $I_B$     |   | -        | 100      | 700 | nA               |
| Common-mode input voltage      | $V_{ICM}$ |   | -15      | -        | 13  | V                |
| Common-mode rejection ratio    | CMR       |   | 70       | 80       | -   | dB               |
| Maximum output voltage         | $V_O$     | $R_L = 33 \Omega$   | $\pm 12$ | $\pm 13$ | -   | V                |
| Voltage gain                   | $V_{G0}$  |   | -        | 100      | -   | dB               |
| Slew rate                      | SR        | $G_V = 0$ , $R_L = 33 \Omega$ ,<br>$R = 2.2 \Omega$ , $L = 0.1 \mu\text{F}$ | -        | 0.15     | -   | V/ $\mu\text{s}$ |
| Equivalent input noise voltage | $V_{NI}$  | $R_0 = 1 \text{ k}\Omega$ , DIN AUDIO                                       | -        | 2        | -   | $\mu\text{V}$    |
| Supply voltage rejection ratio | SVR       |   | -        | 30       | 150 | $\mu\text{V/V}$  |
| Limiting current               | $I_{SC}$  | $R_{SC} = 2.2 \Omega$   | -        | 0.35     | -   | A                |

**Typical Performance Characteristics**

**APPLICATION CIRCUIT**

**Power dissipation vs. ambient temperature**



- No products described or contained herein are intended for use in surgical implants, life-support systems, aerospace equipment, nuclear power control systems, vehicles, disaster/crime-prevention equipment and the like, the failure of which may directly or indirectly cause injury, death or property loss.
- Anyone purchasing any products described or contained herein for an above-mentioned use shall:
  - ① Accept full responsibility and indemnify and defend SANYO ELECTRIC CO., LTD., its affiliates, subsidiaries and distributors and all their officers and employees, jointly and severally, against any and all claims and litigation and all damages, cost and expenses associated with such use;
  - ② Not impose any responsibility for any fault or negligence which may be cited in any such claim or litigation on SANYO ELECTRIC CO., LTD., its affiliates, subsidiaries and distributors or any of their officers and employees jointly or severally.
- Information (including circuit diagrams and circuit parameters) herein is for example only; it is not guaranteed for volume production. SANYO believes information herein is accurate and reliable, but no guarantees are made or implied regarding its use or any infringements of intellectual property rights or other rights of third parties.