

LM129/LM329 Precision Reference

General Description

The LM129 and LM329 family are precision multi-current temperature-compensated 6.9V zener references with dynamic impedances a factor of 10 to 100 less than discrete diodes. Constructed in a single silicon chip, the LM129 uses active circuitry to buffer the internal zener allowing the device to operate over a 0.5 mA to 15 mA range with virtually no change in performance. The LM129 and LM329 are available with selected temperature coefficients of 0.001, 0.002, 0.005 and 0.01%/°C. These new references also have excellent long term stability and low noise.

A new subsurface breakdown zener used in the LM129 gives lower noise and better long-term stability than conventional IC zeners. Further the zener and temperature compensating transistor are made by a planar process so they are immune to problems that plague ordinary zeners. For example, there is virtually no voltage shift in zener voltage due to temperature cycling and the device is insensitive to stress on the leads.

The LM129 can be used in place of conventional zeners with improved performance. The low dynamic impedance

simplifies biasing and the wide operating current allows the replacement of many zener types.

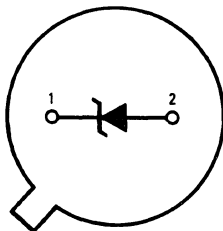
The LM129 is packaged in a 2-lead TO-46 package and is rated for operation over a -55°C to $+125^{\circ}\text{C}$ temperature range. The LM329 for operation over 0°C to 70°C is available in both a hermetic TO-46 package and a TO-92 epoxy package.

Features

- 0.6 mA to 15 mA operating current
- 0.6Ω dynamic impedance at any current
- Available with temperature coefficients of 0.001%/°C
- $7\mu\text{V}$ wideband noise
- 5% initial tolerance
- 0.002% long term stability
- Low cost
- Subsurface zener

Connection Diagrams

Metal Can Package



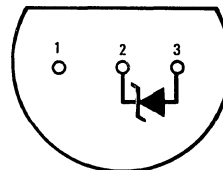
Bottom View

TL/H/5714-6

Pin 2 is electrically connected to case

Order Number LM129AH, LM129BH, LM129CH,
LM329AH, LM329BH, LM329CH or LM329DH
See NS Package H02A

Plastic Package



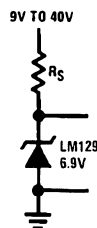
Bottom View

TL/H/5714-4

Order Number LM329BZ,
LM329CZ or LM329DZ
See NS Package Z03A

Typical Applications

Simple Reference



TL/H/5714-1

Absolute Maximum Ratings

If Military/Aerospace specified devices are required, please contact the National Semiconductor Sales Office/Distributors for availability and specifications. (Note 2)

Reverse Breakdown Current	30 mA
Forward Current	2 mA
Operating Temperature Range	
LM129	-55°C to +125°C
LM329	0°C to +70°C

Storage Temperature Range

-55°C to +150°C

Soldering Information

TO-92 package: 10 sec.

260°C

TO-46 package: 10 sec.

300°C

Electrical Characteristics (Note 1)

Parameter	Conditions	LM129A, B, C			LM329A, B, C, D			Units
		Min	Typ	Max	Min	Typ	Max	
Reverse Breakdown Voltage	$T_A = 25^\circ\text{C}$, $0.6\text{ mA} \leq I_R \leq 15\text{ mA}$	6.7	6.9	7.2	6.6	6.9	7.25	V
Reverse Breakdown Change with Current (Note 3)	$T_A = 25^\circ\text{C}$, $0.6\text{ mA} \leq I_R \leq 15\text{ mA}$		9	14		9	20	mV
Reverse Dynamic Impedance (Note 3)	$T_A = 25^\circ\text{C}$, $I_R = 1\text{ mA}$		0.6	1		0.8	2	Ω
RMS Noise	$T_A = 25^\circ\text{C}$, $10\text{ Hz} \leq F \leq 10\text{ kHz}$		7	20		7	100	μV
Long Term Stability (1000 hours)	$T_A = 45^\circ\text{C} \pm 0.1^\circ\text{C}$, $I_R = 1\text{ mA} \pm 0.3\%$		20			20		ppm
Temperature Coefficient LM129A, LM329A LM129B, LM329B LM129C, LM329C LM329D	$I_R = 1\text{ mA}$		6 15 30	10 20 50		6 15 30 50	10 20 50 100	ppm/°C ppm/°C ppm/°C ppm/°C
Change In Reverse Breakdown Temperature Coefficient	$1\text{ mA} \leq I_R \leq 15\text{ mA}$		1			1		ppm/°C
Reverse Breakdown Change with Current	$1\text{ mA} \leq I_R \leq 15\text{ mA}$		12			12		mV
Reverse Dynamic Impedance	$1\text{ mA} \leq I_R \leq 15\text{ mA}$		0.8			1		Ω

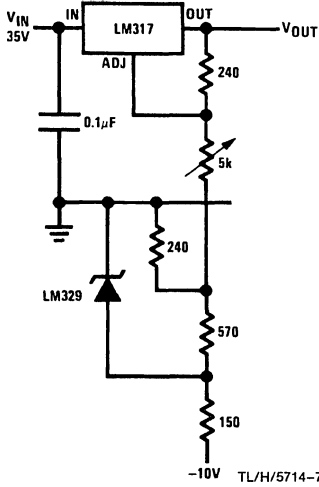
Note 1: These specifications apply for $-55^\circ\text{C} \leq T_A \leq +125^\circ\text{C}$ for the LM129 and $0^\circ\text{C} \leq T_A \leq +70^\circ\text{C}$ for the LM329 unless otherwise specified. The maximum junction temperature for an LM129 is 150°C and LM329 is 100°C . For operating at elevated temperature, devices in TO-46 package must be derated based on a thermal resistance of $440^\circ\text{C}/\text{W}$ junction to ambient or $80^\circ\text{C}/\text{W}$ junction to case. For the TO-92 package, the derating is based on $180^\circ\text{C}/\text{W}$ junction to ambient with $0.4''$ leads from a PC board and $160^\circ\text{C}/\text{W}$ junction to ambient with $0.125''$ lead length to a PC board.

Note 2: Refer to RETS129H for LM129 family military specifications.

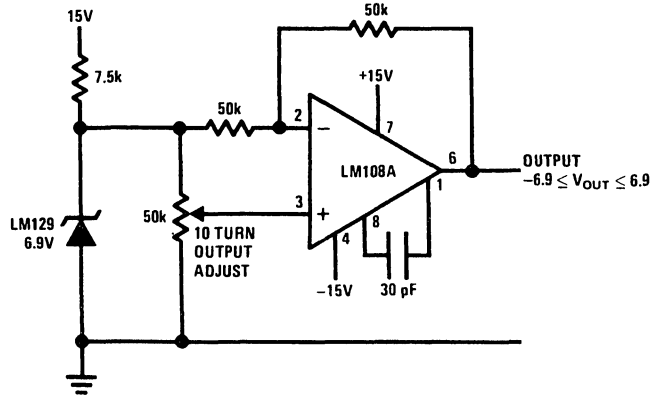
Note 3: These changes are tested on a pulsed basis with a low duty-cycle. For changes versus temperature, compute in terms of tempco.

Typical Applications (Continued)

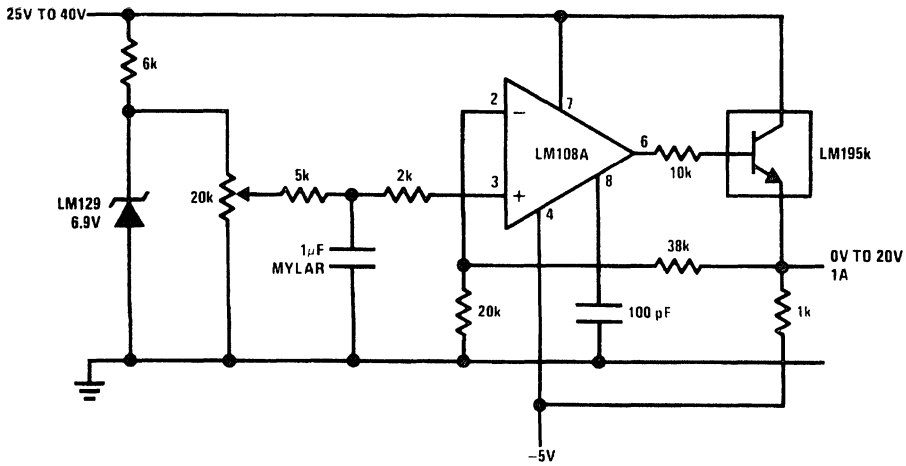
Low Cost 0-25V Regulator



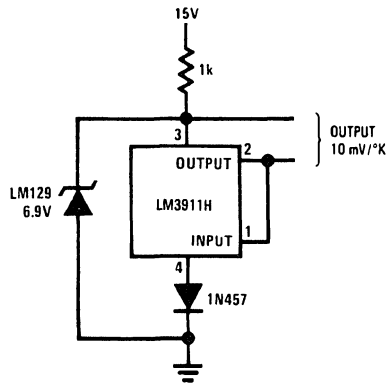
Adjustable Bipolar Output Reference



0V to 20V Power Reference

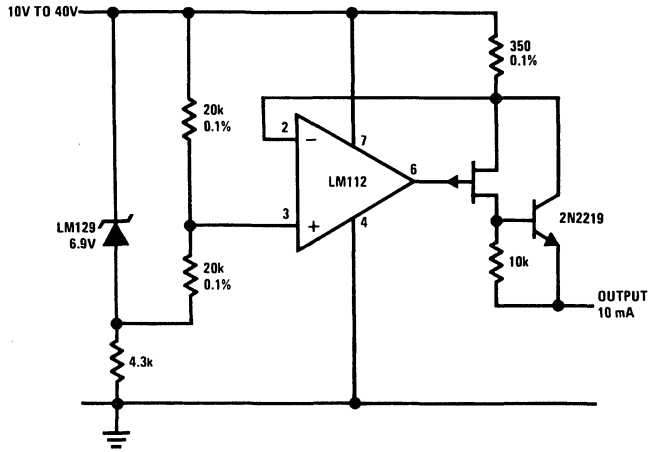


External Reference for Temperature Transducer



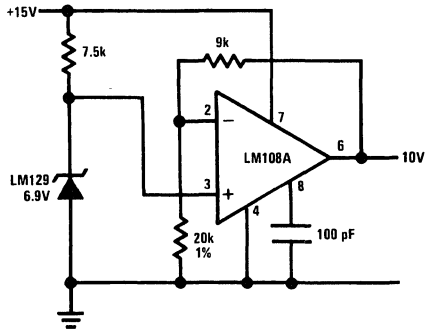
Typical Applications (Continued)

Positive Current Source



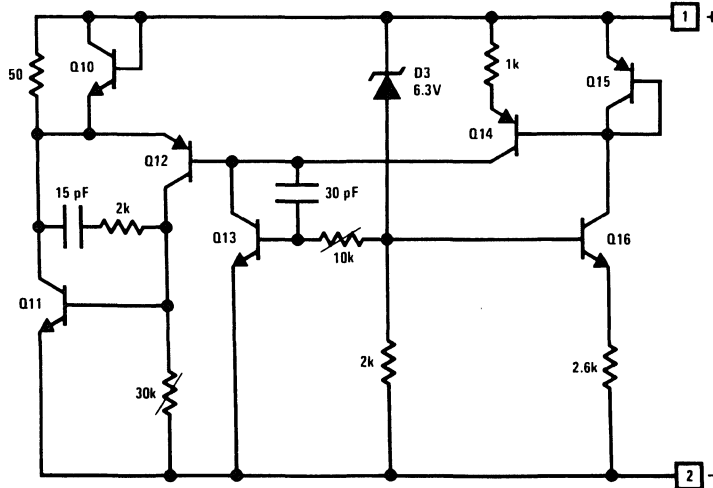
TL/H/5714-11

Buffered Reference with Single Supply



TL/H/5714-9

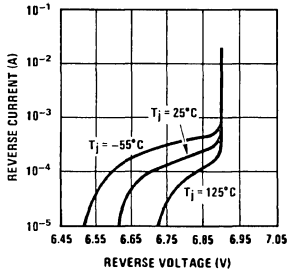
Schematic Diagram



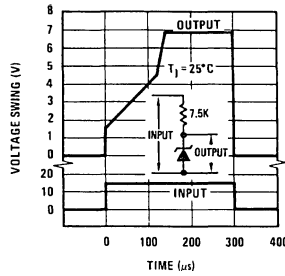
TL/H/5714-10

Typical Performance Characteristics

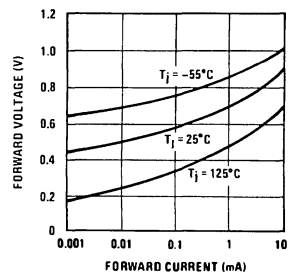
Reverse Characteristics



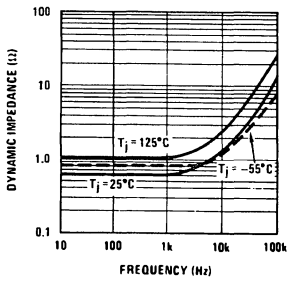
Response Time



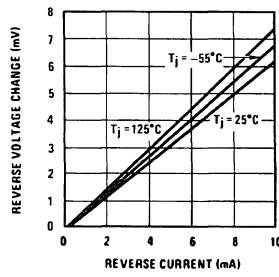
Forward Characteristics



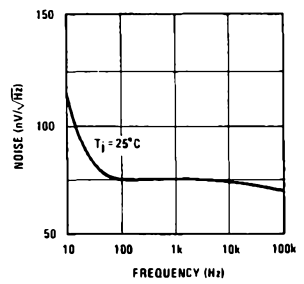
Dynamic Impedance



Reverse Voltage Change

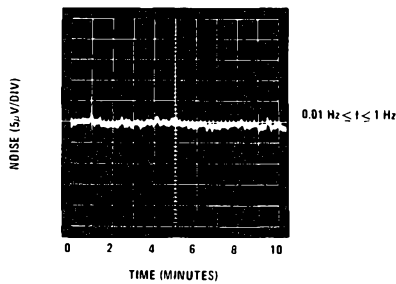


Zener Noise Voltage



TL/H/5714-12

Low Frequency Noise Voltage



TL/H/5714-5