

FEATURES

- **Response Time: 10ns**
- Setup Time for Latch: 2ns
- **Operates on Single 5V Supply**
- Dual Function in 8-Pin Package
- **No Input Slew Rate Requirement**
- Latch Function Included on Chip
- True Differential Inputs


APPLICATIONS

- High Speed Differential Line Receiver
- Pulse Height/Width Discriminator
- Timing and Delay Generators
- Analog to Digital Interface

DESCRIPTION

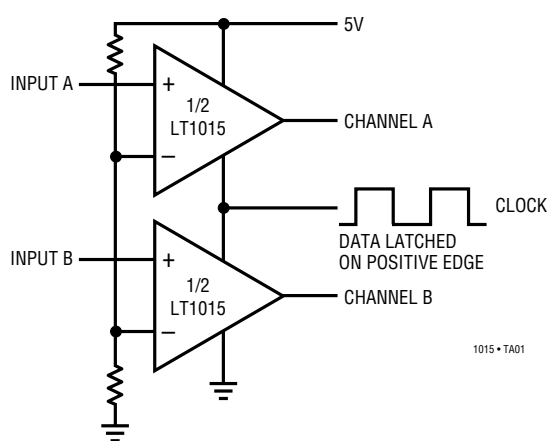
The LT[®]1015 is a dual high speed comparator intended for line receiver and other general purpose fast comparator functions. It has 10ns response time, true differential inputs, TTL outputs and operates from a single 5V supply. A unique output stage design virtually eliminates power supply glitching during transitions. This greatly reduces instability and crosstalk problems in multiple line applications. No minimum input slew rate is required as in previous TTL output comparators.

The LT1015 has a true Latch pin for retaining output data. Setup time is 2ns, allowing the comparators to capture data much faster than the actual flowthrough response time. 8-pin miniDIP and ceramic packages allow high packing density.

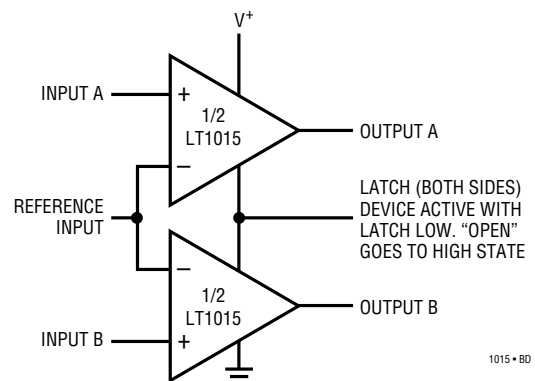
 , LTC and LT are registered trademarks of Linear Technology Corporation.

TYPICAL APPLICATION

2-Channel 20MHz Clocked Line Receiver



BLOCK DIAGRAM

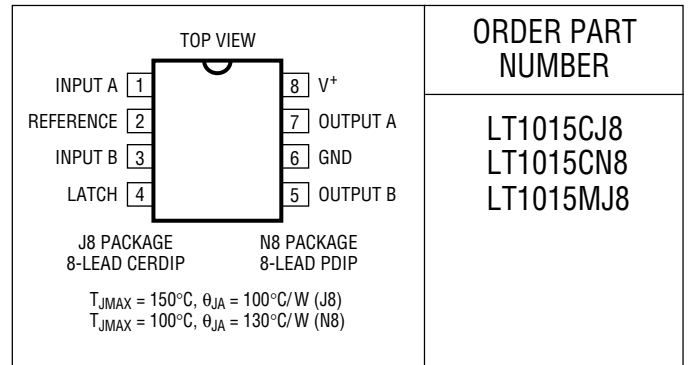


ABSOLUTE MAXIMUM RATINGS

Supply Voltage	7V
Differential Input Voltage	5V
Input Voltage	
Positive	Supply + 0.5V
Negative	-1V
Input Current (Forced) Positive	20mA
Latch Pin Voltage	Supply + 1V
Output Current (Continuous)	±20mA
Operating Temperature Range	
LT1015C	0°C to 70°C
LT1015M	-55°C to 125°C*
Storage Temperature	-65°C to 150°C
Lead Temperature (Soldering, 10 sec)	300°C

* Air flow must be provided for T_A > 100°C

PACKAGE/ORDER INFORMATION



ORDER PART NUMBER
LT1015CJ8
LT1015CN8
LT1015MJ8

Consult factory for Industrial grade parts.

ELECTRICAL CHARACTERISTICS

V⁺ = 4.6V to 5.4V, V_{LATCH} = 0V, common mode input voltage = 2.5V, T_J = 25°C, unless otherwise noted.

PARAMETER	CONDITIONS		MIN	TYP	MAX	UNITS
Input Offset Voltage (Note 1)	V _{CM} = 1.25V to (V ⁺ - 1.5V)	●		1	20	mV
Input Bias Current	ΔV _{IN} = 0V (Note 2)	●		15	30	μA
Reference Input Current	ΔV _{IN} = 0V (Note 2)	●		30	60	μA
Voltage Gain (Note 3)	V _{OUT} = 0.5V to 2.5V, Load = 1 TTL Gate	●	1000	2500		V/V
Common Mode Input Range (Note 5)	Minimum Input	●		1.0	1.25	V
	Maximum Input	●	V ⁺ - 1.5	V ⁺ - 1.0		V
Output High Voltage	I _{OUT} = 4mA	●	2.5			V
Output Low Voltage	I _{SINK} = 4mA	●		0.3	0.5	V
Supply Current	V ⁺ = 5V	●		55	70	mA
Latch Pin High Input Voltage	Device Latched	●			2	V
Latch Pin Low Input Voltage	Device Active	●	0.8			V
Latch Pin Current		●			1	mA
Propagation Delay	ΔV _{IN} ≥ 20mV (Note 4) 0°C ≤ T _J ≤ 100°C	●	7	10	14	ns
		●	7	10	16	ns
Latch Setup Time				2		ns

The ● denotes specifications which apply over the full operating temperature range.

Note 1: Input offset voltage is the maximum required to drive the output to a low state of 0.5V and high state of 2.5V.

Note 2: Input currents are measured by applying a large positive differential input voltage. The resulting input current is divided by two to obtain input current at ΔV_{IN} = 0V.

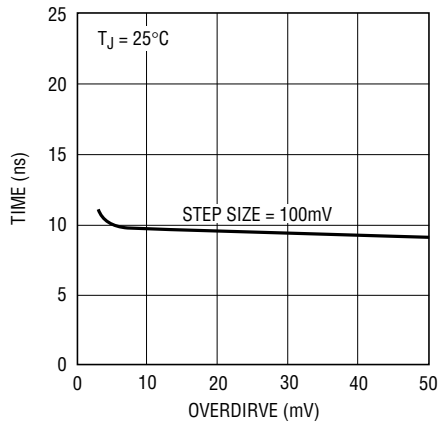
Note 3: Voltage gain is guaranteed by design, but not tested.

Note 4: Propagation delay is sample tested in production with a large overdrive. The limit is guard banded to account for the slight increase (≈ 500ps) at 20mV overdrive.

Note 5: Common mode input range is the voltage range over which the differential input offset voltage is less than 20mV. If both inputs remain inside this common mode range, propagation delay will be unaffected. It will also be normal if the signal input is below the 1.25V lower limit when the input transition begins. An increase in propagation delay of up to 10ns may occur if the signal input is above the upper common mode limit when the transition begins. Sine wave inputs may not be affected when the peak exceeds the common mode range if the signal is inside the common mode range for 10ns before threshold is reached.

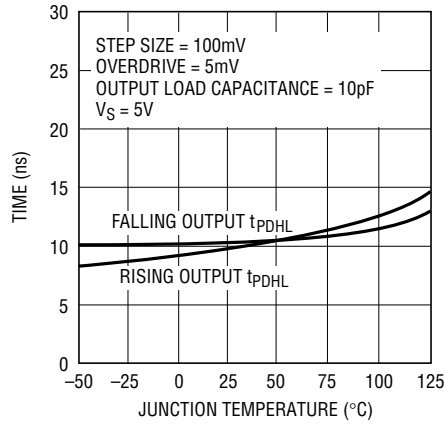
TYPICAL PERFORMANCE CHARACTERISTICS

Propagation Delay vs Overdrive



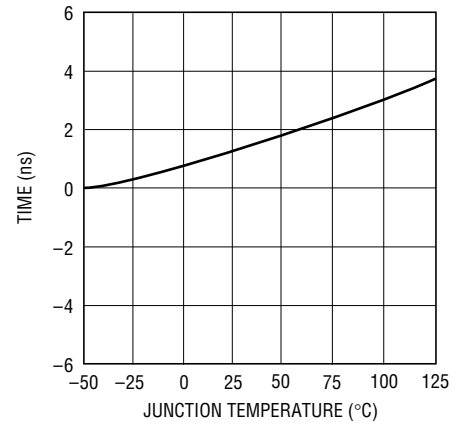
LT1015 • TPC01

Propagation Delay vs Temperature



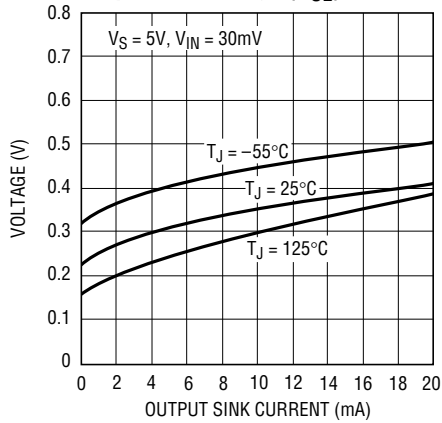
LT1015 • TPC02

Latch Set-Up Time



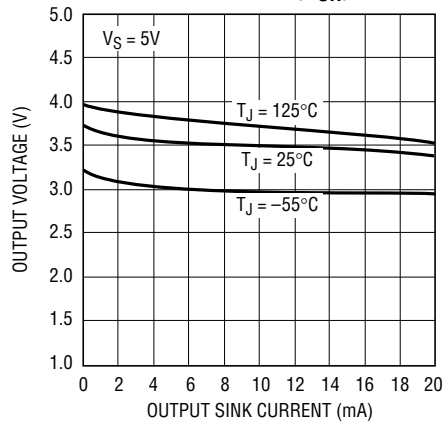
LT1015 • TPC03

Output Low Voltage (V_{OL})



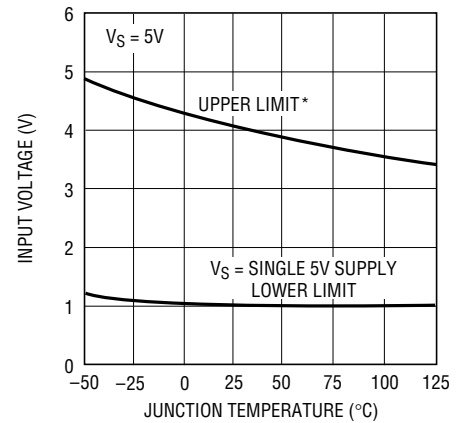
LT1015 • TPC04

Output High Voltage (V_{OH})



LT1015 • TPC05

Common Mode Limits

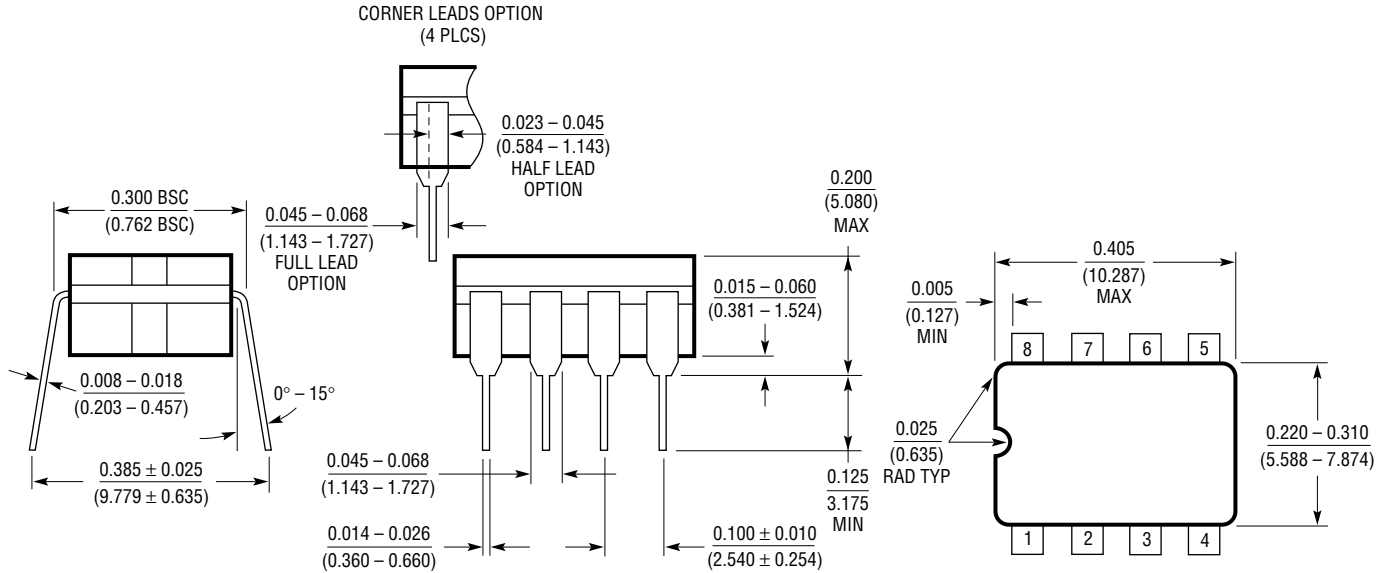


LT1015 • TPC06

* UPPER LIMIT TRACKS 5V SUPPLY. 4.1V LIMIT AT 25°C WILL DROP TO 3.8V WHEN $V_S = 4.7\text{V}$

PACKAGE DESCRIPTION Dimensions in inches (millimeters) unless otherwise noted.

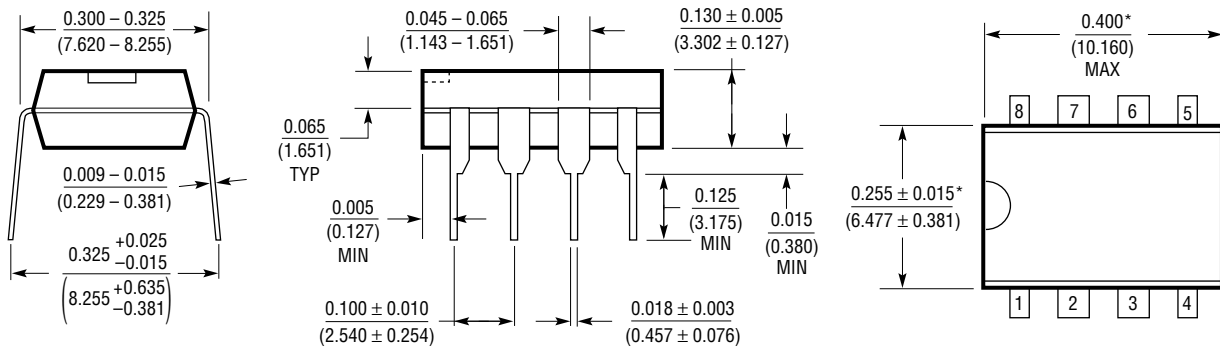
J8 Package
8-Lead CERDIP (Narrow 0.300, Hermetic)
 (LTC DWG # 05-08-1110)



NOTE: LEAD DIMENSIONS APPLY TO SOLDER DIP/PLATE OR TIN PLATE LEADS.

J8 0694

N8 Package
8-Lead PDIP (Narrow 0.300)
 (LTC DWG # 05-08-1510)



*THESE DIMENSIONS DO NOT INCLUDE MOLD FLASH OR PROTRUSIONS. MOLD FLASH OR PROTRUSIONS SHALL NOT EXCEED 0.010 INCH (0.254mm)

N8 0695

RELATED PARTS

PART NUMBER	DESCRIPTION	COMMENTS
LT1016	Ultrafast Precision Comparator	10ms Propagation Delay, Complimentary TTL Outputs
LT1116	12ns, Single-Supply Ground Sensing Comparator	Inputs Can Exceed Positive Supply Up to 15V
LTC®1520	50Mbps/s Precision Quad Line Driver	18ns Propagation Delay Over Temperature Rail-to-Rail Inputs